

TABLE OF CONTENTS

THIS SPARE PARTS LIST SUPERSEDES ALL PREVIOUS EDITIONS

REGULATORS

First Stage MR 42	PAG.3
First Stage MR 32 Extreme.....	PAG.4
First Stage MR 32.....	PAG.5
First Stage ABYSS	PAG.6
First Stage ABYSS 05 Nitrox	PAG.7
First Stage MR 12 LONG.....	PAG.8
First Stage MR 12 LONG Nitrox.....	PAG.9
First Stage R 2.....	PAG.10
First Stage H.U.B. Mares.....	PAG.11
DIN Connector 300 BAR (vers. 16-22-32-42).....	PAG.12
Nitrox Connector 200 Bar EN 144-3 (1° stg. 22).....	PAG.13
Nitrox Connector 200 Bar EN 144-3 (1° stg. 12).....	PAG.14
Second Stage ABYSS 08-ABYSS NX 08 -ABYSS OCT 08	PAG.15
Second Stage PRESTIGE-PRESTIGE OCTOPUS.....	PAG.16
Second Stage PRESTIGE NTT.....	PAG.17
Second Stage PROTON ICE EXTREME.....	PAG.18
Second Stage PROTON METAL-OCTOPUS - P. METAL.....	PAG.19
Second Stage PROTON SHE DIVES.....	PAG.20
Second Stage REBEL - REBEL NX-REBEL OCTOPUS.....	PAG.21
Octopus MV	PAG.22
Octopus PROTON.....	PAG.23

B.C.VESTS

DRAGON A.T.	PAG.24
VECTOR 1000 AT	PAG.25
ORIGIN SPORT A.T.	PAG.26
DRAGON	PAG.27
VECTOR 1000	PAG.28
ICON	PAG.29
ALIIKAI	PAG.30
KAILA	PAG.31
PEGASUS.....	PAG.32
ORIGIN SPORT.....	PAG.33
VECTOR ORIGIN.....	PAG.34
LP Inflator ERGO 2K5.....	PAG.35
H.U.B. AVANTGARDE.....	PAG.36
AIR TRIM Control Assembly 2003.....	PAG.37
Air Dump Valve H.U.B 2003.....	PAG.38

TABLE OF CONTENTS

THIS SPARE PARTS LIST SUPERSEDES ALL PREVIOUS EDITIONS

AIRLOCK..... PAG. 39

TANK VALVES

Tank Valve 92 PAG. 40

DIVE COMPUTERS & GAUGE

CONSOLE MISSION 08..... PAG. 41

CONSOLE / COMPUTER PUCK..... PAG. 42

CONSOLE MC2 RGBM..... PAG. 43

COMPUTER M2..... PAG. 44

COMPUTER NEMO EXCEL..... PAG. 45

COMPUTER NEMO WIDE..... PAG. 46

MASKS

Mask 1 PAG. 47

Mask 2 PAG. 48

ACCESSORIES

Accessories 1 PAG. 49

TOOL KITS

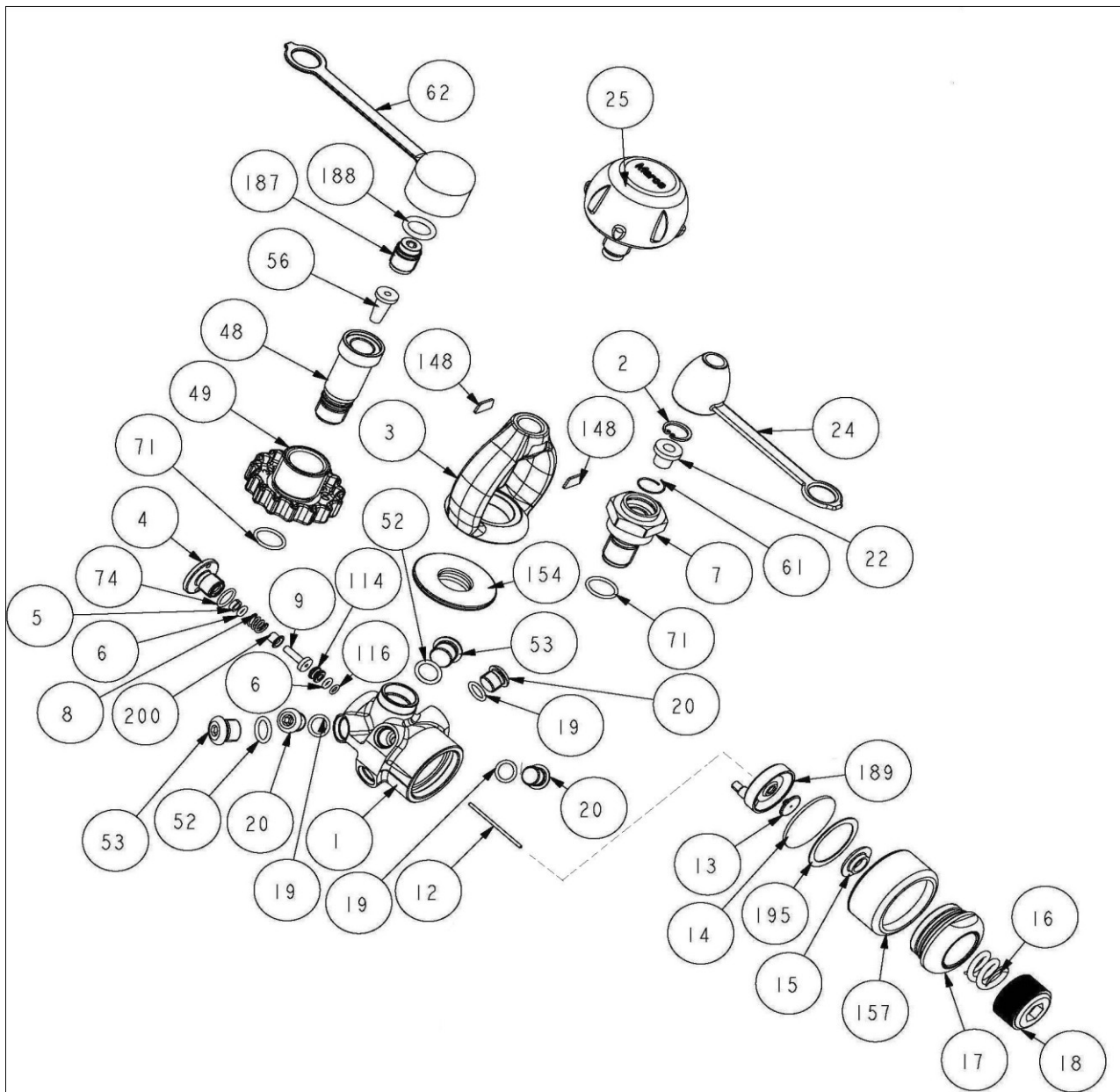
Maintenance Kit w/special tools for Regulators & BC vests..... PAG. 50

Maintenance Kit w/special tools and keys for Reg.& BCV..... PAG. 51

PRESSURIZED TEST CHAMBER..... PAG. 52

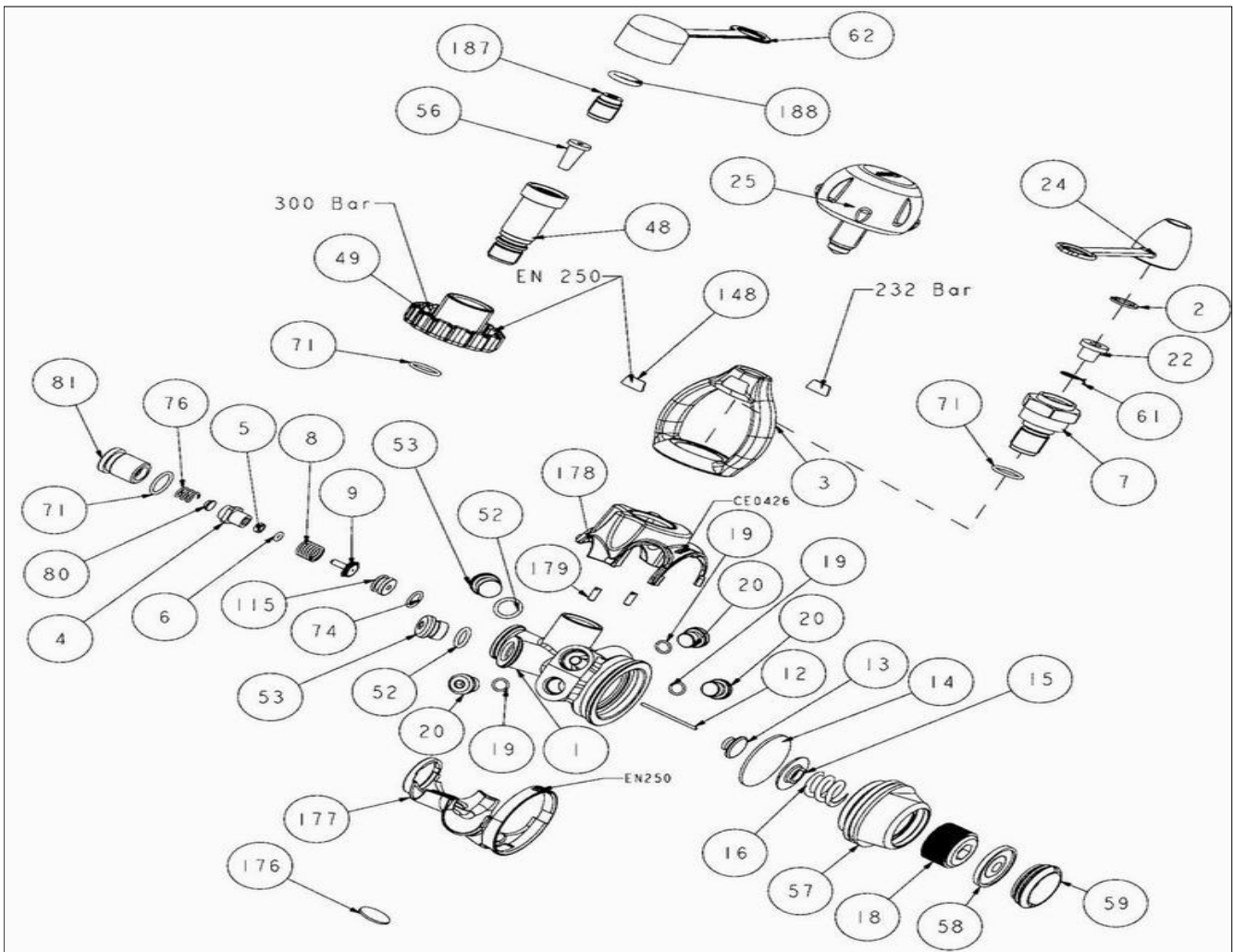
REGULATOR TEST BENCH..... PAG. 53

PORTABLE REGULATOR TEST BENCH..... PAG. 54

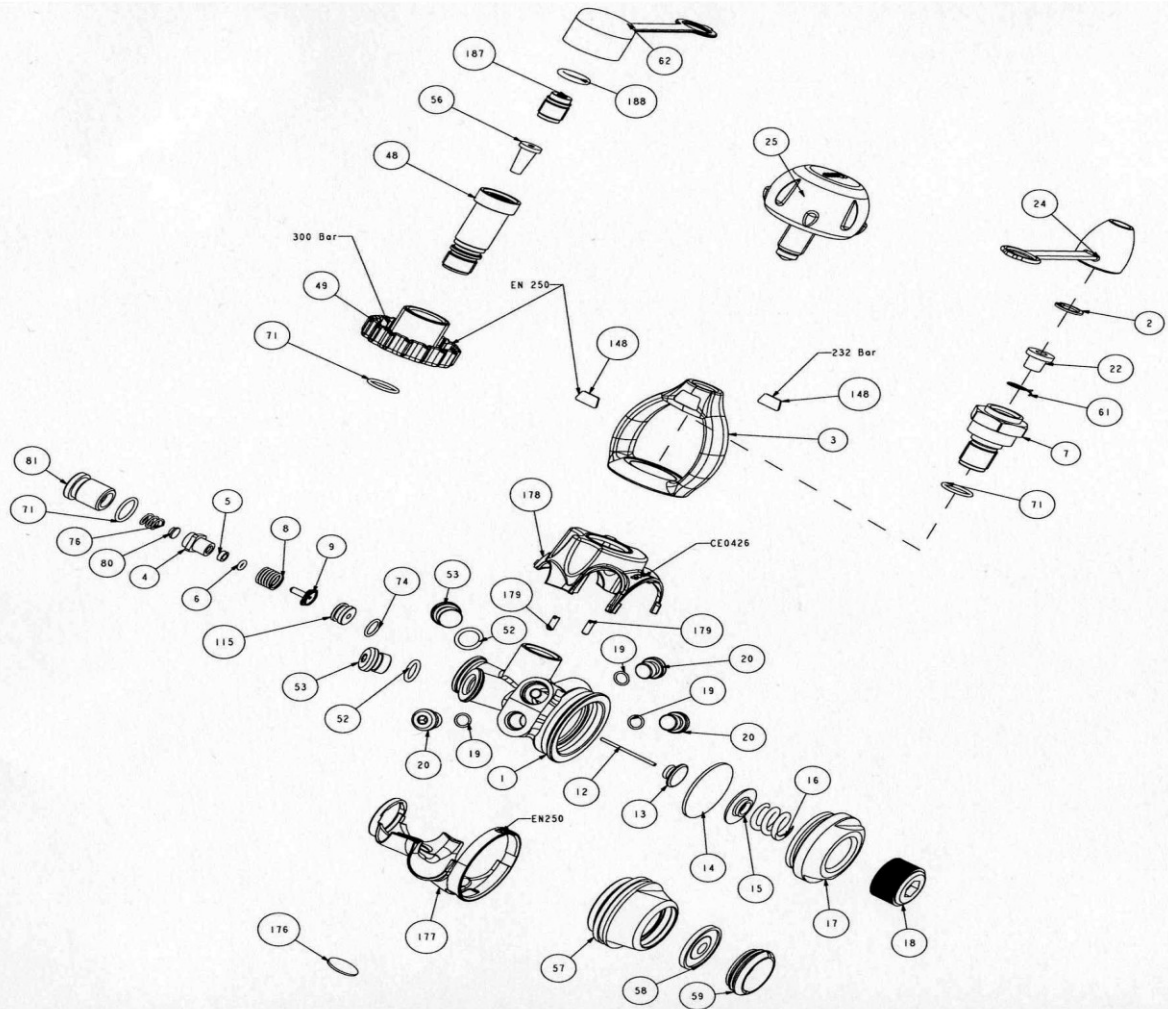


REF	CODE	DESCRIPTION
1	A	FIRST STAGE BODY DFC
2	46185015	RETAINING RING, 1st STG FILTER
3	46185211	YOKE
4	D	HP CHAMBER
5	46185038	BACKUP RING 1ST STAGE
6	46110101	OR 2012
6	46110401	OR 2012 Viton 006-9707
7	46186205	NUT YOKE RETAINER
8	46200765	POPPET SPRING 1° STG
9	46200764	POPPET 1° STG TRI-MATERIAL
12	46200672	PIN POPPET 34.5 MM
13	46200545	BUTTON FIRST STAGE POPPET
14	46200674	DIAPHRAGM
15	46200582	PLATE SPRING BASE
16	46185023	SPRING DIAPHRAGM
17	46200544	RETAINING NUT
18	46185028	REGULATING NUT
19	46110106	OR 106
19	46110402	OR 106 Viton 610-9707
20	46185204	LP PLUG 3/8"
22	46186202	CONICAL FILTER
24	46185010	DUST CAP
25	46184079	YOKE KNOB
48	46200548	BODY, DIN CONNECTOR 300 BAR
49	46200546	THREADED LOCKING RING (300 Bar)
52	46110108	OR 108
52	46110404	OR 108 Viton 611-9754
53	46185205	HP PLUG 7/16"
56	46200561	CONICAL FILTER DIN CONNECTOR
61	46185013	SPRING, FILTER 1ST. STAGE

REF	CODE	DESCRIPTION
62	46200562	DUST CAP 300 BAR DIN CONNECTOR
71	46110211	OR 2050
71	46110413	OR 2050 Viton 014-9707
74	46110107	OR 2031
74	46110403	OR 2031 Viton 011-9707
114	46200761	POPPET SEAT (MR)
116	46110405	OR 4 X 1
148	46184315	LABEL YOKE "EN 250"
148	46184316	LABEL YOKE "MARES"
154	46200553	YOKE CONNECTOR 1° STG
157	46200829	PROTECTION CAP 1st STG MR 42T
187	46200547	O-RING SEAT DIN
188	46110247	OR 3043
188	46200620	OR 3043 viton
189	46200671	DFC WASHER 42
195	46200581	BACK UP RING 2K4
200	46200763	POPPET BUSHING
ASSEMBLIES		
A	46200766	1ST STAGE ASSEMBLY MR42 INT
D	46200597	HP HOUSING (4-5-6)
F	416805	DIN CONNECTOR 300 BAR (tab. n. 23 dis E14) (71-48-49-56-187-188)
I	416852	KIT CWD DRY
***	46200596	MAINTENANCE KIT 1° STG METAL TECH / V-MR 42 INT (2-5-6-19-22-52-61-71-74-116-195)
***	46200603	MAINTENANCE KIT 1° STG METAL TECH / V-MR 42 DIN (2-5-6-19-52-56-71-74-116-188-195)
***	46200751	MAINTENANCE KIT 1° STG MR 42 INT (VITON O-RING) (2-5-6-19-22-52-61-71-74-116-195)

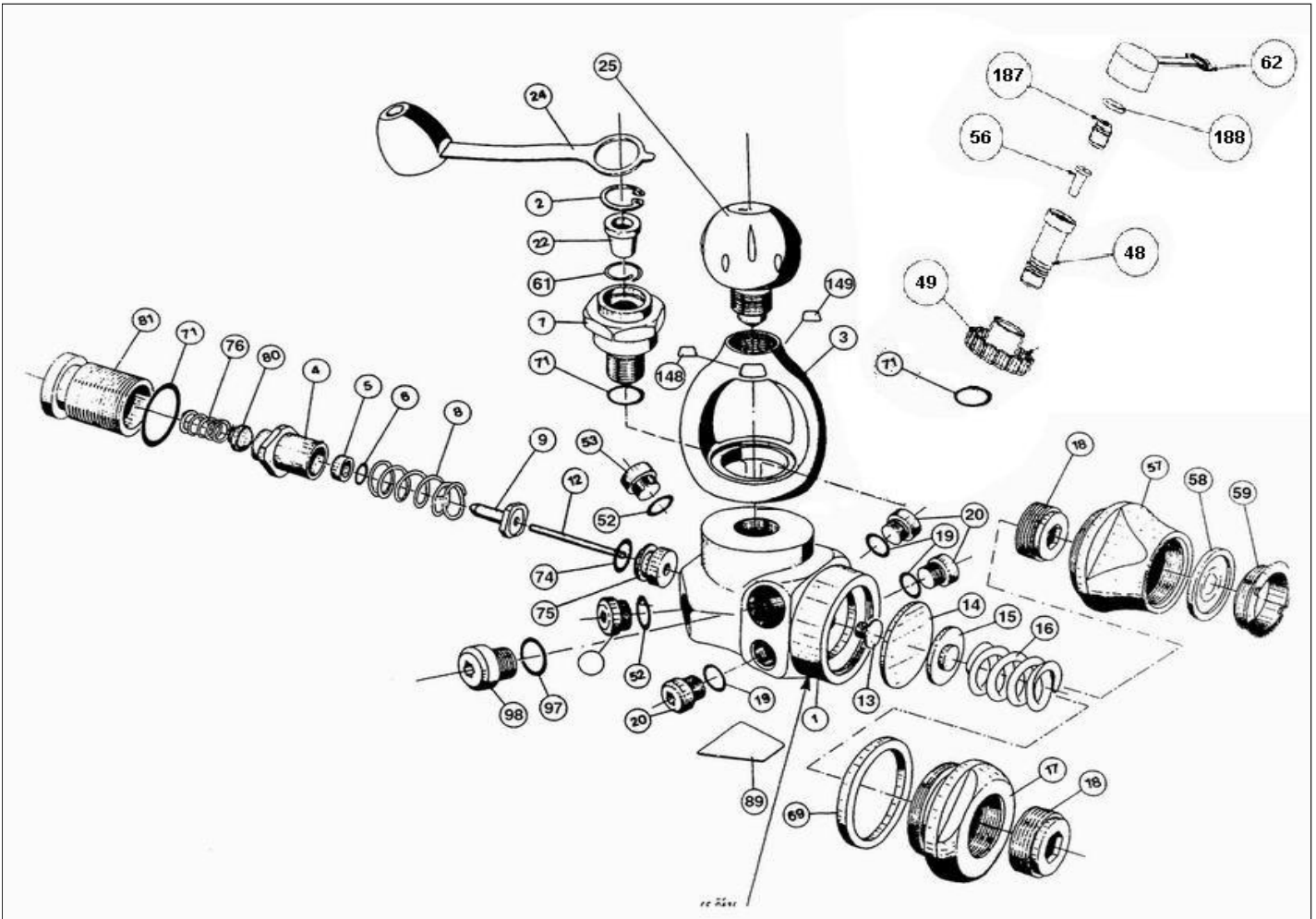


Rif.N.	Codice	Denominazione	REF	CODE	DESCRIPTION
1	n/d	FIRST STAGE BODY	61	46185013	SPRING, FILTER 1ST. STAGE
2	46185015	RETAINING RING, 1ST STAGE FILTER	62	46200562	PROTECTION CAP - DIN CONNECTOR
3	46186270	YOKE	71	46110211	OR 2050
4	D	HP CHAMBER	71	46110413	OR 2050 Viton 014-9707
5	46185038	BACKUP RING 1ST STAGE REGULATOR	74	46110107	OR 2031
6	46110101	OR 2012	74	46110403	OR 2031 Viton 011-9707
6	46110401	OR 2012 Viton 006-9707	76	46186210	SPRING, HP HOUSING, 1ST STAGE
7	46186205	NUT YOKE RETAINER	80	46186206	HP HOUSING BUTTON 1ST STAGE
8	46185011	SPRING	81	46186208	PLUG
9	46200652	POPPET 1° STG TRI-MATERIAL	115	46186216	POPPET SEAT MR
12	46186214	PIN POPPET 32,5MM	148	46184315	LABEL YOKE "EN 250"
13	46186213	BUTTON FIRST STAGE POPPET	176	46200720	OVAL LABEL
14	46185022	DIAPHRAGM	177	46200747	BOTTOM SHELL MR 32
15	46185034	PLATE SPRING BASE	178	46200367	UPPER SHELL MR 32
16	46185023	SPRING DIAPHRAGM	187	46200547	O-RING SEAT DIN
18	46185028	REGULATING NUT	188	46110247	OR 3043
19	46110106	OR 106			ASSEMBLIES
19	46110402	OR 106 Viton 610-9707	D	46185210	HP HOUSING ASSEMBLY, 1ST STAGE (4-5-6)
20	46185204	LP PLUG 3/8"	F	416805	DIN CONNECTOR 300 BAR (tab. n. 23 dis E14)
22	46186202	FILTER	I	416851	KIT CWD
24	46185010	DUST CAP	***	46186152	SERVICE KIT, 1st STAGE INT (2-5-6-19-22-52-71-74)
25	46184079	YOKE KNOB	***	46200606	SERVICE KIT, 1st STAGE DIN (5-6-19-52-74- 56-71-188)
48	46200548	CONNECTOR BODY DIN 300 BAR	***	46185167	SERVICE KIT INT VITON 1° STG Ruby/32/22/16/D16 (2-5-6-19-22-52-71-74)
49	46200546	WHEEL DIN 300 BAR			ACCESSORIES
52	46110108	OR 108		46185340	OIL X CWD
52	46110404	OR 108 Viton 611-9754	98	46186207	PLUG 1/2 UNF 1ST STAGE
53	46185205	HP PLUG 7/16"	97	46110215	OR 2043
56	46200561	FILTER DIN CONNECTOR			
57	I	CWD BODY			
58	46185301	DIAPHRAGM, CWD KIT			
59	I	CWD LOCKING RING			



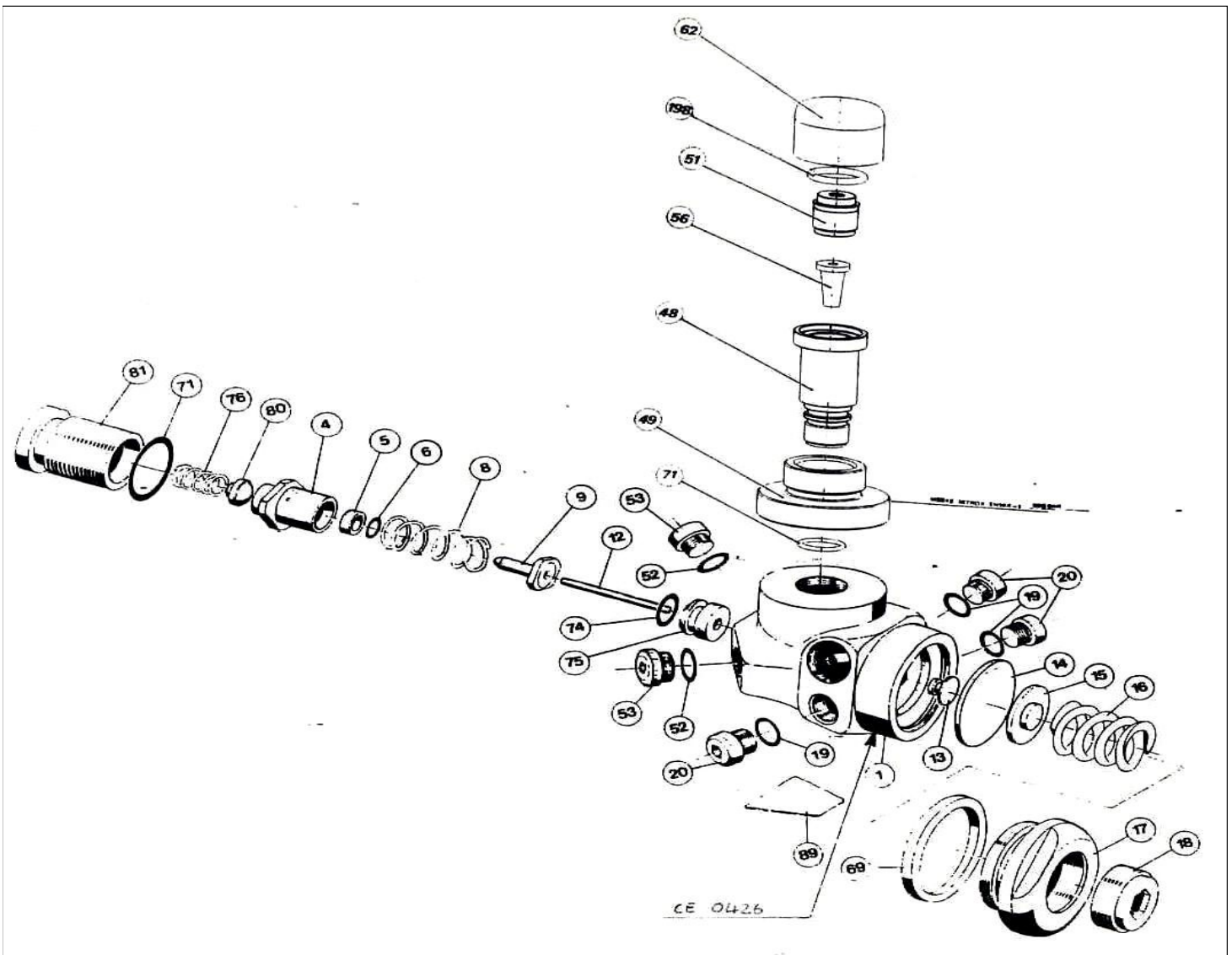
REF	CODE	DESCRIPTION
1	A	FIRST STAGE BODY DFC
2	46185015	RETAINING RING, 1ST STAGE FILTER
3	46186270	YOKE
4	D	HP CHAMBER
5	46185038	BACKUP RING 1ST STAGE REGULATOR
6	46110101	OR 2012
6	46110401	OR 2012 Viton 006-9707
7	46186205	NUT YOKE RETAINER
8	46185011	SPRING
9	46200652	POPPET 1° STG TRI-MATERIAL
12	46186214	PIN POPPET 32,5 MM
13	46186213	BUTTON FIRST STAGE POPPET
14	46185022	DIAPHRAGM
15	46185034	PLATE SPRING BASE
16	46185023	SPRING DIAPHRAGM
17	46186268	RETAINING NUT
18	46185028	REGULATING NUT
19	46110106	OR 106
19	46110402	OR 106 Viton 610-9707
20	46185204	LP PLUG 3/8"
22	46186202	CONICAL FILTER
24	46185010	DUST CAP
25	46184079	YOKE KNOB
48	46200548	BODY, DIN CONNECTOR 300 BAR
49	46200546	DIN 300 BAR THREADED LOCKING RING
52	46110108	OR 108
52	46110404	OR 108 Viton 611-9754
53	46185205	HP PLUG 7/16"
56	46200561	FILTER DIN CONNECTOR D. 9
57	I	CWD BODY
58	46185301	DIAPHRAGM, CWD KIT

REF	CODE	DESCRIPTION
59	I	CWD LOCKING RING
61	46185013	SPRING, FILTER 1ST. STAGE
62	46200562	DUST CAP 300 BAR DIN CONNECTOR
71	46110211	OR 2050
71	46110413	OR 2050 Viton 014-9707
74	46110107	OR 2031
74	46110403	OR 2031 Viton 011-9707
76	46186210	SPRING, HP HOUSING, 1ST STAGE
80	46186206	HP HOUSING BUTTON 1ST STAGE
81	46186208	PLUG
115	46186216	POPPET SEAT MR
148	46184315	LABEL YOKE "EN 250"
176	46200720	OVAL LABEL
177	46200747	BOTTOM SHELL MR 32
178	46200367	UPPER SHELL MR 32
187	46200547	O-RING SEAT DIN
188	46110247	OR 3043
ASSEMBLIES		
A	46200760	1° ST MR 32 CPL INT
D	46185210	HP HOUSING ASSEMBLY, 1ST STAGE (4-5-6)
F	416805	DIN CONNECTOR 300 BAR (tab. n. 23 dis E14)
I	416851	KIT CWD
***	46186152	SERVICE KIT, 1st STAGE INT (2-5-6-19-22-52-71-74)
***	46200606	SERVICE KIT, 1st STAGE DIN 2K5 (5-6-19-52-74- 56-71-188)
***	46185167	SERVICE KIT INT VITON 1° STG Ruby/32/22/16/D16 (2-5-6-19-22-52-71-74)
ACCESSORIES		
98	46186207	PLUG 1/2 UNF 1ST STAGE
97	46110215	OR 2043



REF	CODE	DESCRIPTION
1	A	FIRST STAGE BODY DFC
2	46185015	RETAINING RING, 1ST STAGE FILTER
3	46185211	YOKE 2000
4	D	HP CHAMBER
5	46185038	BACKUP RING 1ST STAGE REGULATOR
6	46110101	OR 2012
6	46110401	OR 2012 VITON 006-9707
7	46186205	NUT, YOKE RETAINER 1ST STAGE MR22
8	46185011	SPRING, 1ST STAGE VALVE
9	46200652	POPPET 1° STG TRI-MATERIAL
12	46186214	PIN, 1ST STAGE, 32,5 MM
13	46186213	BUTTON POPPET, 1ST STAGE MR22
14	46185022	DIAPHRAGM, 1ST STAGE REGULATORS
15	46185034	PLATE SPRING BASE, 1ST STAGE REGS
16	46185023	SPRING DIAPHRAGM 1ST STAGE REG.
17	46186219	LOCKING NUT
18	46185028	REGULATING NUT, 1ST STAGE REGS
19	46110106	OR 106
19	46110402	OR 106 Viton 610-9707
20	46185204	LP PLUG 3/8", 1ST STAGE, REGS.
22	46186202	CON. SINTERED FILTER. 1ST STAGE
24	46185010	DUST CAP
25	46184079	YOKE KNOB
48	46200548	BODY, DIN CONNECTOR 300 BAR
49	46200546	DIN 300 BAR THREADED LOCKING RING
52	46110108	OR 108
52	46110404	OR 108 Viton 611-9754
53	46185205	HP PLUG 7/16", 1ST STAGE
56	46200561	FILTER, DIN CONNECTOR, MR22
57	I	CWD BODY
58	46185301	DIAPHRAGM, CWD KIT
59	I	CWD LOCKING RING

REF	CODE	DESCRIPTION
61	46185013	SPRING, FILTER 1ST STAGE
62	46200562	DIN CONNECTOR DUST CAP
69	46186218	RING, 1ST STAGE
71	46110211	OR 2050
71	46110413	OR 2050 Viton 014-9707
74	46110107	OR 2031
74	46110403	OR 2031 Viton 011-9707
75	46186216	POPPET SEAT, 1ST STAGE, MR22
76	46186210	SPRING, HP HOUSING, 1ST STAGE MR22
80	46186206	HP HOUSING BUTTON 1ST STAGE MR22
81	46186208	PLUG, 1ST STAGE, MR22
89	46200722	LABEL "ABYSS T"
148	46184315	LABEL "EN 250"
149	46184316	LABEL MARES
187	46200547	O-RING SEAT DIN
188	46110247	OR 3043
ASSEMBLIES		
D	46185210	HP HOUSING ASSY, 1ST STAGE (4-5-6)
D	46186259	HP HOUSING ASSY, 1ST STAGE (Viton O-rings)
F	416805	DIN CONNECTOR 300 BAR (tab. n. 23 dis E14)
I	416851	KIT CWD ABYSS
###	46186152	SERVICE KIT, 1st STAGE 22 INT (2-5-6-19-22-52-71-74)
###	46185167	SERVICE KIT INT VITON 1° STD Ruby/32/22/16 (2-5-6-19-22-52-71-74)
###	46200606	SERVICE KIT DIN 2005 1° STD 32/22/16/TP/D16 (5-6-19-52-74- 56-71-188)
A	46200106	1° STAGE MR22 assy INT
ACCESSORIES		
98	46186207	PLUG 1/2 UNF 1ST STAGE MR22
97	46110215	OR 2043



REF	CODE	DESCRIPTION	REF	CODE	DESCRIPTION
1	n/d	FIRST STAGE BODY DFC	56	46200561	FILTER, DIN CONNECTOR,
4	D	HP HOUSING	62	46200658	DUST CAP Nitrox 2K5
5	46185038	BACKUP RING 1ST STAGE REGULATOR	69	46186218	RING, 1ST STAGE
6	46110401	OR 2012 Viton 006-9707	71	46110413	OR 2050 Viton 014-9707
8	46185011	SPRING, 1ST STAGE VALVE	74	46110403	OR 2031 Viton 011-9707
9	46200652	POPPET 1° STG TRI-MATERIAL	75	46186216	POPPET SEAT, 1ST STAGE, MR22
12	46186214	PIN, 1ST STAGE, 32,5 MM	76	46186210	SPRING,HP HOUSING,1ST STAGE MR22
13	46186213	BUTTON POPPET, 1ST STAGE MR22	80	46186206	HP HOUSING BUTTON 1ST STAGE MR22
14	46185022	DIAPHRAGM, 1ST STAGE REGULATORS	81	46186208	PLUG, 1ST STAGE, MR22
15	46185034	PLATE SPRING BASE, 1ST STAGE REGS	89	46200722	LABEL "ABYSS T"
16	46185023	SPRING DIAPHRAGM 1ST STAGE REG.	198	46200655	OR 3056
17	46186219	LOCKING NUT	ASSEMBLIES		
18	46185028	REGULATING NUT, 1ST STAGE REGS	D	46186259	HP HOUSING ASSY, 1ST STAGE (4-5-6) VITON
19	46110402	OR 106 Viton 610-9707	F	46200663	NITROX CONNECTOR 200 BAR
20	46185204	LP PLUG 3/8", 1ST STAGE, REGS.	(Ref. Tab. 30 Drawing 107)		
48	46200594	CONNECTOR BODY NITROX 200 BAR	###	46200692	SERVICE KIT 1st STG MR22 NX (EN 13949)
49	46200592	WHEEL NITROX CONNECTOR 200 BAR	(5-6-19-52-56-71-74-198)		
51	46200593	O-RING SEAT	ACCESSORIES		
52	46110404	OR 108 Viton 611-9754	98	46186207	LP PLUG 1/2" UNF
53	46185205	HP PLUG 7/16", 1ST STAGE	97	46110215	OR 2043

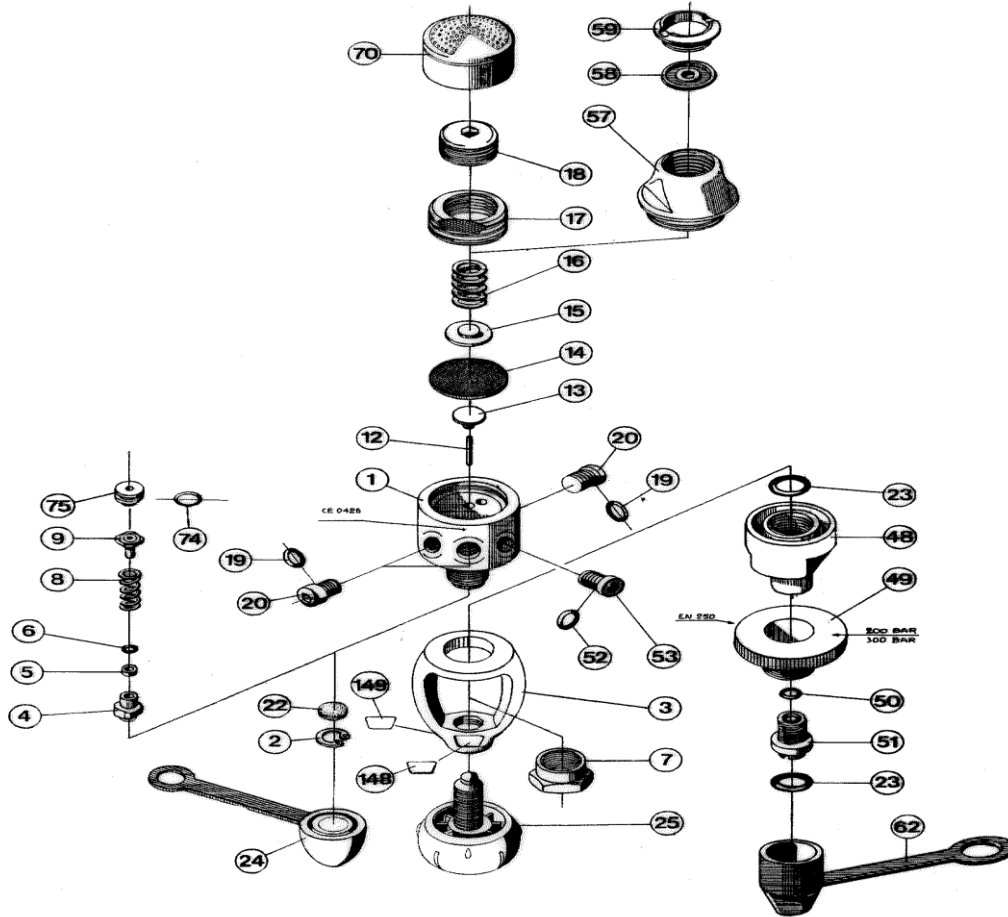
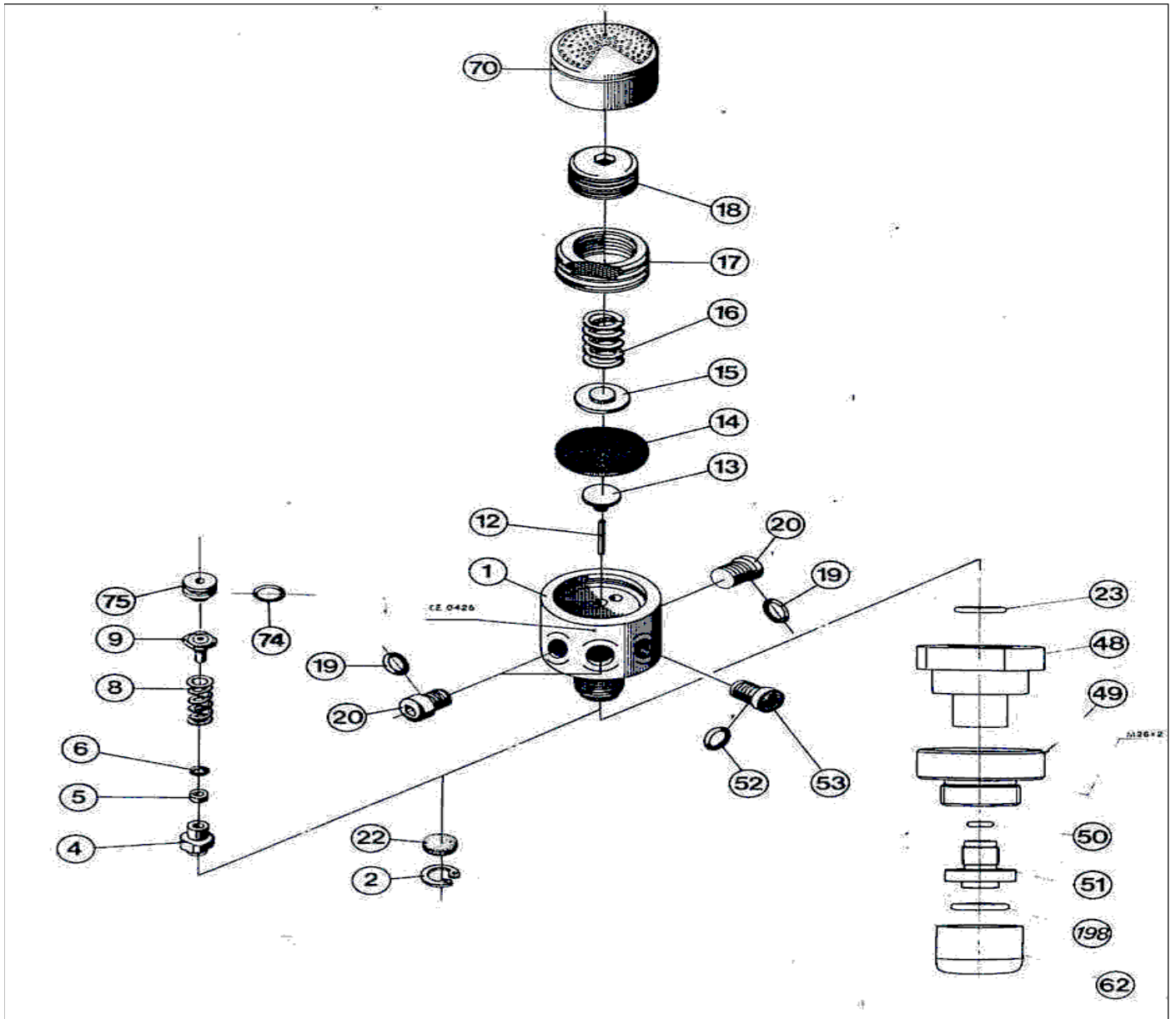
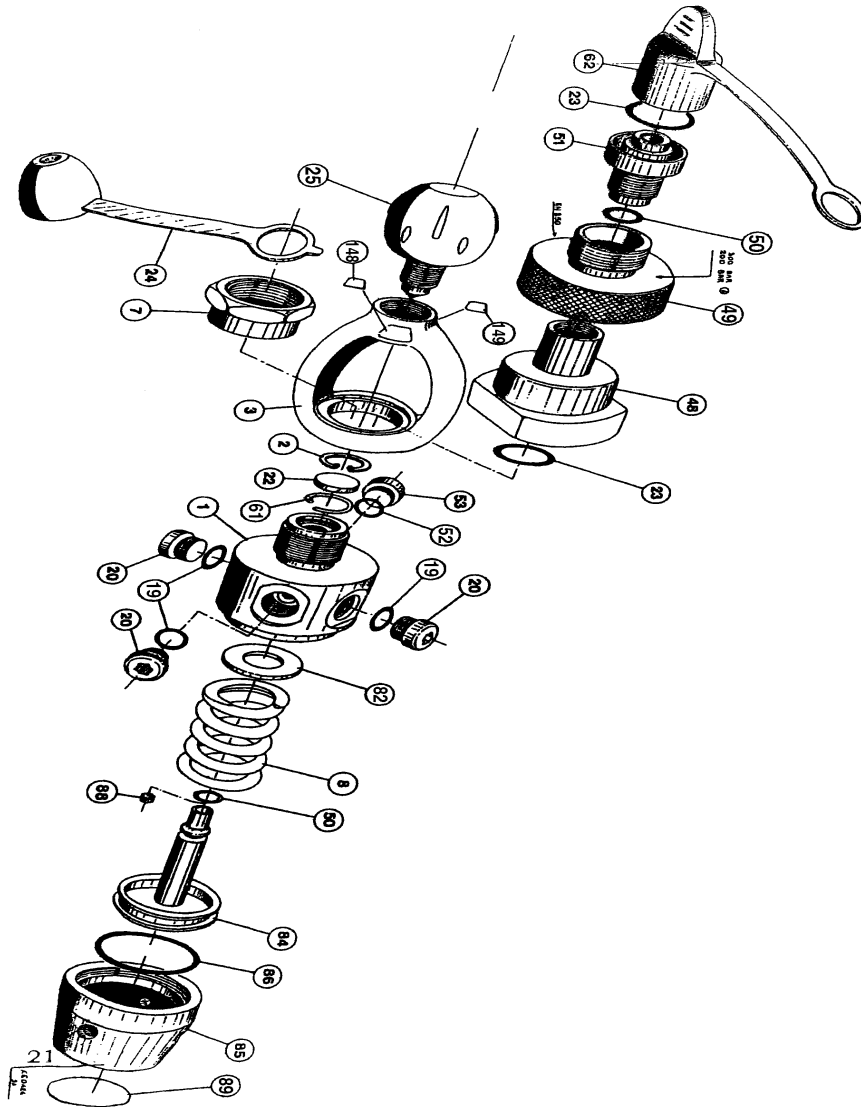


CHART NO. 22		1st STAGE MR 12 T		UPDATED : 22/01/2007			
REF	CODE	DESCRIPTION		REF	CODE	DESCRIPTION	
1	A	FIRST STAGE BODY		50	46110409	OR 2018	Viton 008-9707
2	46185015	Seeger D. INT. 13		51	46183003	CONNECTING PLUG, DIN KIT 300 BAR	
3	46185211	YOKE 2000		52	46110108	OR 108	
4	D	HP CHAMBER		52	46110404	OR 108	Viton 611-9707
5	46185038	BACKUP RING 1st STG REGULATOR		53	46185205	HP PLUG 7/16", 1ST STAGE, MR12	
6	46110101	OR 2012		57	I	CWD BODY	
6	46110401	OR 2012 VITON 006-9707		58	46185301	DIAPHRAGM, CWD KIT	
7	46185212	NUT YOKE RETAINER 1ST STAGE MR12		59	I	CWD LOCKING RING	
8	46185011	SPRING, 1ST STAGE VALVE, MR12		62	46183014	DUST CAP 300 BAR DIN CONNECTOR	
9	46200652	POPPET 1° STG TRI-MATERIAL		70	46200745	HOCK CAP, 1st STAGE MR12T	
12	46186303	PIN POPPET MR12 31 MM		74	46110107	OR 2031	
13	46185032	BUTTON, 1ST ST. POPPET		74	46110403	OR 2031	Viton 011-9707
14	46185022	DIAPHRAGM, 1ST STAGE REGULATORS		75	46186216	POPPET SEAT, 1ST STAGE, MR12	
15	46185034	PLATE SPRING BASE		148	46184315	LABEL EN 250 200 bar	
16	46185023	SPRING DIAPHRAGM 1ST STAGE REG.		149	46184316	LABEL MARES	
17	46184510	RETAINING NUT 1ST STAGE		ASSEMBLIES			
18	46184511	REGULATING NUT, 1ST STAGE		A	46200406	1ST STAGE ASSEMBLY MR12T INT LONG	
18	46185028	REGULATING NUT, CWD 1ST STAGE		D	46185210	HP HOUSING ASSEMBLY (4-5-6)	
19	46110106	OR 106		D	46186259	HP HOUSING ASSEMBLY (4-5-6) - VITON	
19	46110402	OR 106 VITON 610-9754		F	416804	DIN CONNECTOR 300 BAR NX	
20	46185204	LP PLUG 3/8", 1ST STAGE, REGS.				(23-48-49-50-51-62)	
22	46185014	1ST STAGE FILTER, REGULATORS		I	416851	Kit CWD	
23	46110117	OR 115		###	46186150	SERVICE KIT, 1st STAGE INT/DIN	
23	46110406	OR 115 VITON 614-9707				(2-5-6-19-22-23-50-52-74)	
24	46185010	DUST CAP		###	46186154	SERVICE KIT, 1st STAGE INT/DIN - VITON	
25	46184079	YOKE KNOB				(2-5-6-19-22-23-50-52-74)	
48	F	CONNECTOR BODY DIN 300 BAR		ACCESSORIES			
49	F	DIN 300 BAR THREADED LOCKING RING		----	415861	YOKE CONNECTOR INT/DIN ASSY (200 BAR)	
50	46110203	OR 2018					

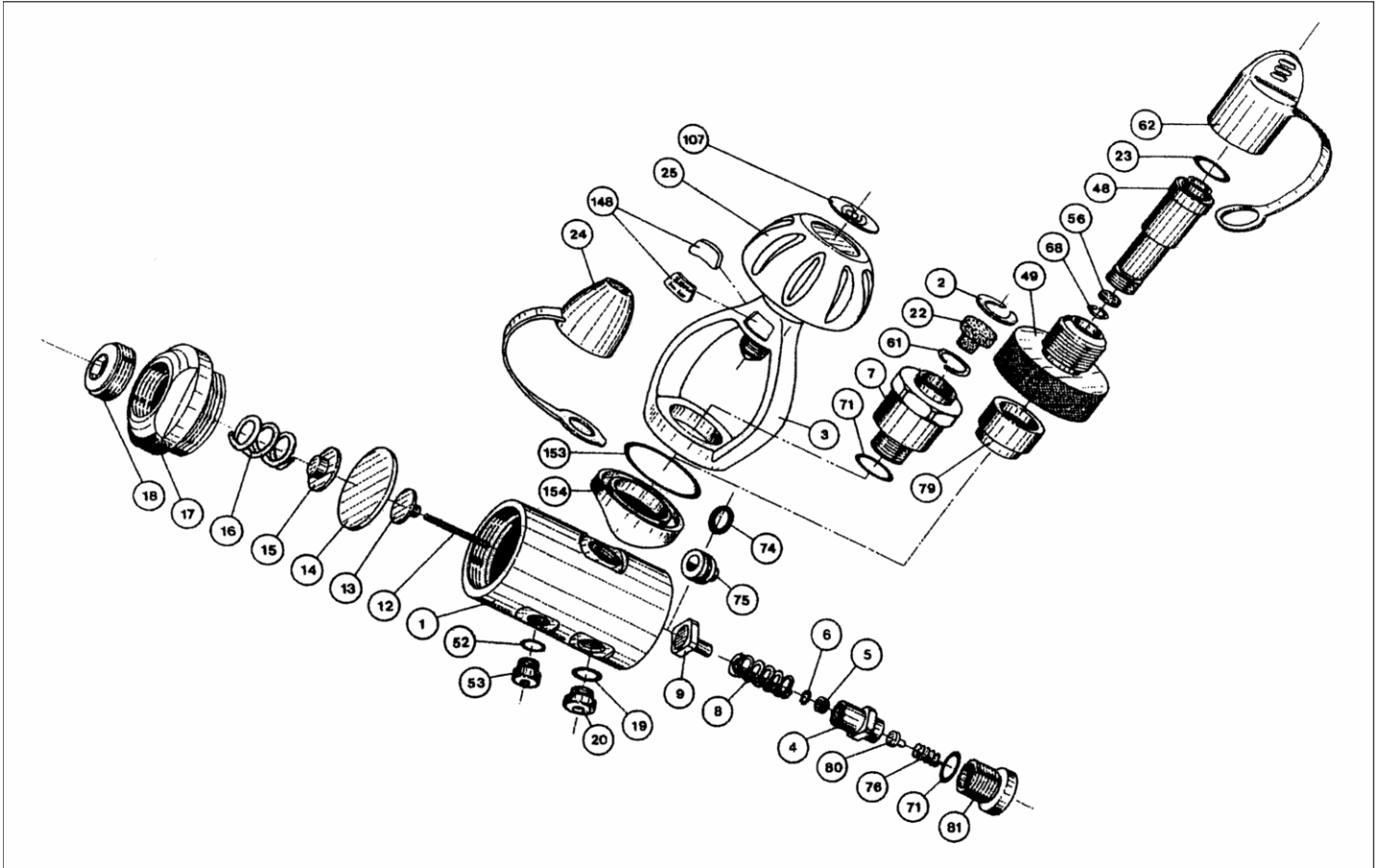


REF	CODE	DESCRIPTION	REF	CODE	DESCRIPTION
1		FIRST STAGE BODY	48	46200657	CONNECTOR - BASE NX 200
2	46185015	SEEGER D. INT. 13	49	46200654	CONNECTOR WHEEL NX 200
4	D	HP CHAMBER	50	46110409	OR 2018 Viton 008-9707
5	46185038	BACKUP RING 1ST STAGE REGULATOR	51	46183003	CONNECTOR - FRONT NX
6	46110401	OR 2012 Viton 006-9707	52	46110404	OR 108 Viton 611-9707
8	46185011	SPRING, 1ST STAGE VALVE, MR12	53	46185205	HP PLUG 7/16", 1ST STAGE, MR12
9	46200652	POPPET 1° STG TRI-MATERIAL	62	46200658	DUST CAP
12	46186303	PIN POPPET 31 MM	70	46200745	HOCK CAP, 1st STAGE MR12T
13	46185032	BUTTON, 1ST ST. POPPET	74	46110403	OR 2031 Viton 011-9707
14	46185022	DIAPHRAGM, 1ST STAGE REGULATORS	75	46186216	POPPET SEAT, 1ST STAGE, MR12
15	46185034	PLATE SPRING BASE, 1ST STAGE REGS	198	46200655	OR 3056
16	46185023	SPRING DIAPHRAGM 1ST STAGE REG.			
17	46184510	RETAINING NUT 1ST STAGE			
18	46184511	REGULATING NUT, 1ST STAGE	ASSEMBLIES		
19	46110402	OR 106 Viton 610-9707	D	46186259	HP HOUSING ASSY (4-5-6)VITON
20	46185204	LP PLUG 3/8", 1ST STAGE, REGS.	F	46200664	NITROX CONNECTOR 200 BAR
22	46185014	1ST STAGE FILTER, REGULATORS			(Ref Tab. 29 Drawing 106)
23	46110406	OR 115 Viton 614-9707	###	46200678	SERVICE KIT MR 12 NITROX (EN 13949)
					(2-5-6-19-22-23-50-52-74-198)



REF	CODE	DESCRIPTION
1	A	FIRST STAGE BODY
2	46185015	RETAINING RING, 1ST STAGE FILTER
3	46185211	YOKE 2000
7	46185212	NUT YOKE RETAINER 1ST STAGE
8	46186220	SPRING POPPET 1ST STAGE
19	46110106	OR 106
19	46110402	OR 106 VITON 610-9754
20	46185204	LP PLUG 3/8", 1ST STAGE, REGS.
22	46185014	1ST STAGE FILTER, REGULATORS
23	46110117	OR 115
23	46110406	OR 115 VITON 614-9707
24	46185010	DUST CAP
25	46184079	YOKE KNOB
48	F	CONNECTOR BODY DIN 300 BAR
49	F	DIN 300 BAR THREADED LOCKING RING
50	46110203	OR 2018
50	46110409	OR 2018 Viton 008-9707
51	46183003	CONNECTING PLUG, DIN KIT 300 BAR
52	46110108	OR 108
52	46110404	OR 108 Viton 611-9707

REF	CODE	DESCRIPTION
53	46185205	HP PLUG 7/16", 1ST STAGE
61	46185013	SPRING, FILTER 1ST
62	46183014	DUST CAP 300 BAR DIN CONNECTOR
82	46186221	RING, SPRING BASE
84	46186228	PISTON
85	46186225	CAP 1ST STAGE
86	46110224	OR 2100
86	46110419	OR 2100 VITON 022-9707
88	46186223	PLASTIC SEAT, PISTON REG.
89	46184354	LABEL 1ST STAGE R2
148	46184315	LABEL EN 250 200 BAR
149	46184316	LABEL MARES
ASSEMBLIES		
A	46200112	1ST STAGE ASSEMBLY R2 INT
F	416804	DIN CONNECTOR 300 BAR NX (23-48-49-50-51-62)
***	46185323	SERVICE KIT, R2 1ST STAGE INT/DIN (2-19-22-23-50-52-86-88)
***	46186155	SERVICE KIT 1ST STAGE INT/DIN NITROX (2-19-22-23-50-52-86-88)



REF	CODE	DESCRIPTION
1	A	FIRST STAGE BODY
2	46185015	RETAINING RING, 1ST STAGE FILTER
3	46186270	YOKE
4	D	
5	46185038	BACKUP RING 1ST STAGE REGULATOR
6	46110101	OR 2012
7	46186241	NUT YOKE RETAINER
8	46185011	SPRING, 1ST STAGE VALVE
9	46200652	POPPET 1° STG TRI-MATERIAL
12	46186214	PIN, 1ST 32,5 MM
13	46185032	BUTTON 1ST STAGE POPPET, REGS
14	46185022	DIAPHRAGM, 1ST STAGE REGULATORS
15	46185034	PLATE SPRING BASE, 1ST STAGE REGS
16	46185023	SPRING DIAPHRAGM 1ST STAGE REG.
17	46186268	RETAINING NUT 1ST STAGE
18	46185028	REGULATING NUT, 1ST STAGE REGS
19	46110106	OR 106
20	46185204	LP PLUG 3/8", 1ST STAGE, REGS.
22	46186202	CON.SINTERED FILTER. 1ST STAGE
23	46110117	OR 115
24	46185010	DUST CAP
25	46187007	YOKE KNOB
48	***	BODY, DIN CONNECTOR 300 BAR
49	***	DIN 300 BAR THREADED LOCKING RING
52	46110108	OR 108
53	46185205	HP PLUG 7/16", 1ST STAGE
56	***	FILTER, DIN CONNECTOR
61	46185013	SPRING, FILTER 1ST STAGE
62	***	DUST CAP 300 BAR DIN CONNECTOR
68	***	SPRING, DIN CONNECTOR,

REF	CODE	DESCRIPTION
71	46110211	O-Ring 2050
74	46110107	O-Ring 2031
75	46186216	POPPET SEAT, 1ST STAGE
76	46186210	SPRING,HP HOUSING,1ST STAGE
79	***	DIN CONNECTOR SPACER BUSHING
80	46186206	HP HOUSING BUTTON 1ST STAGE
81	46186208	PLUG, 1ST STAGE
107	47158704	KNOB LABEL
148	46184315	LABEL EN 250
153	46110176	O-RING 3118
154	46187016	SEAT YOKE BODY
ASSEMBLIES		
A	46200160	1ST STAGE ASSEMBLY HUB MARES INT
D	46185210	HP HOUSING ASSEMBLY, 1ST STAGE (4-5-6)
F	416805	DIN CONNECTOR 300 BAR (tab. n. 23 drawing E14)
I	416851	Kit CWD
***	46186152	SERVICE KIT, 1ST STAGE INT (2-5-6-19-22-52-71-74)
***	46200606	SERVICE KIT DIN 1° St 32/22/16/TP/D16 2K5 (5-6-19-52-74-(56-71-188-194 tab 7))
***	46185167	SERVICE KIT VITON 1° STG HUB INT (2-5-6-19-22-52-71-74)
NOTE		
DIN CONNECTOR PREVIOUS VERSION - Part n. 416803		
REF. 23-48-49-56-62-68-71-79: PLEASE CHECK 2004 YEAR SPARE PART LIST. THESE PART ARE GOING OUT OF STOCK. IF NO MORE AVAILABLE. IT WILL BE NECESSARY TO REPLACE THE COMPLETE DIN CONNECTOR WITH THE NEW VERSION - PART NUMBER 416805		
TAB. 23 DIS. E14		

DRAWING NO. E 14

DIN CONNECTOR (16 - 22- 32- 42 vers.)

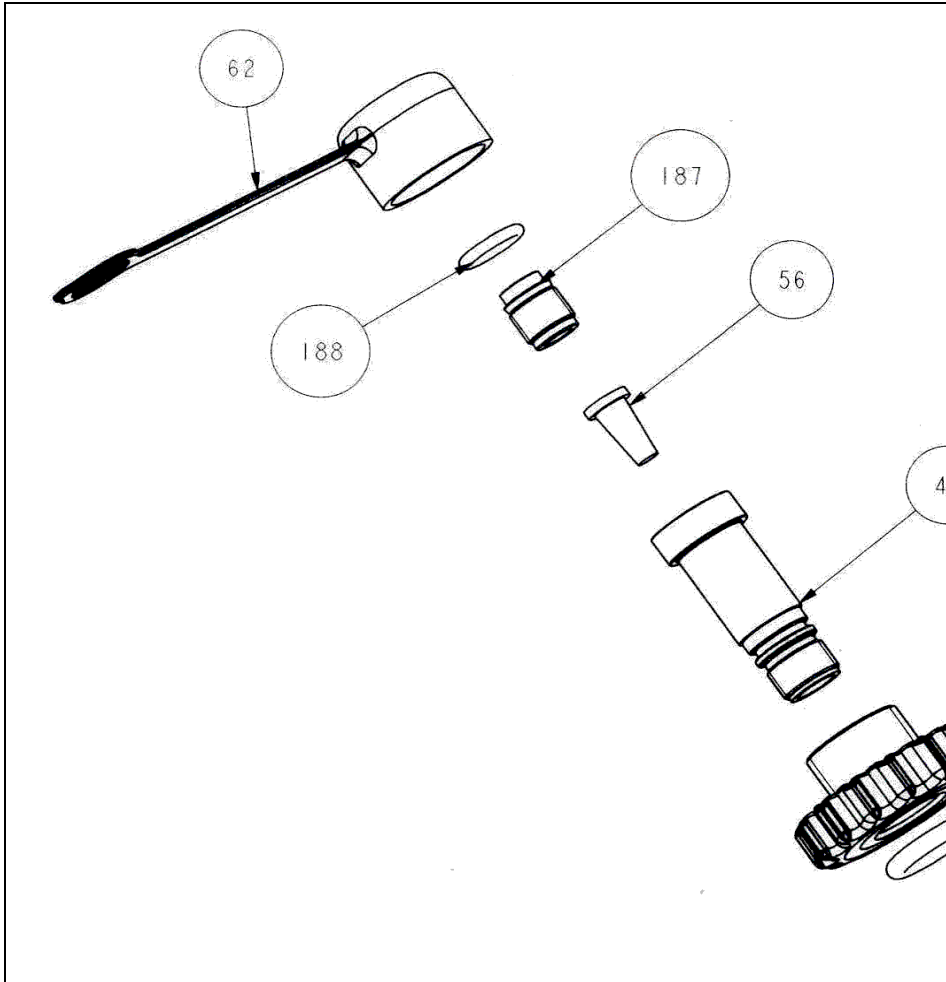
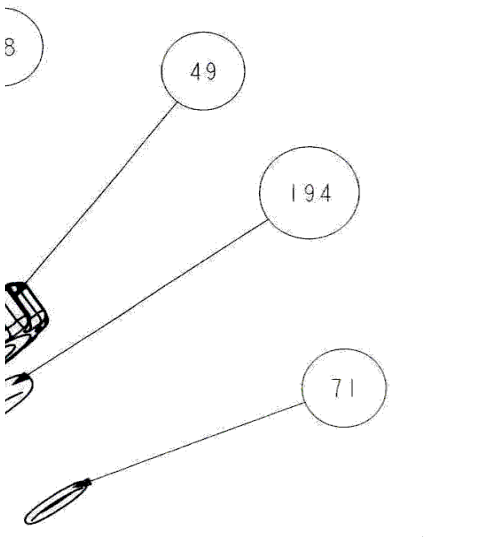


CHART NO. 23

DIN CONNECTOR (16 - 22- 32- 42 vers.)

REF	CODE	DESCRIPTION	REF	CODE
48	46200548	CONNECTOR BODY DIN 300 BAR	187	46200547
49	46200546	DIN WHEEL 300	188	46110247
56	46200561	CON.SINTERED FILTER. DIN	188	46200620
62	46200562	DUST CAP 300 BAR DIN	194	46200559
71	46110211	OR 2050		
71	46110413	O-RING 2050 viton	F	416805

UPDATED : 29/09/2004



UPDATED : 22/01/2007

DESCRIPTION

O-RING SEAT - DIN

OR 3043

O-RING 3043 viton

OR 15 x 4

ASSEMBLIES

DIN CONNECTOR 300 BAR

DRAWING NO. : E 107	NITROX CONNECTOR 200 bar MR22 vers.	UPDATED : 12/12/2005
---------------------	--	----------------------

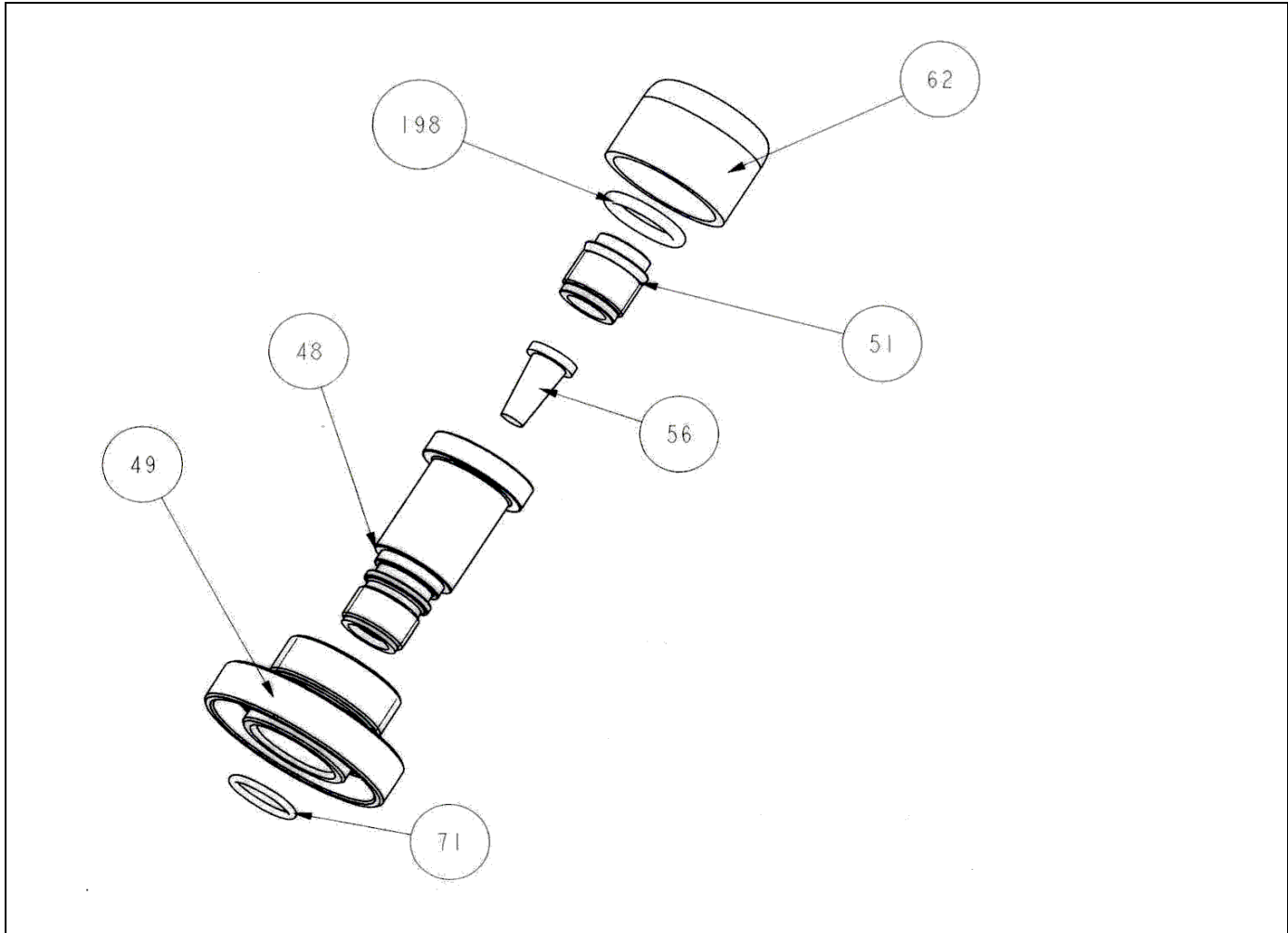


CHART NO. : 30	NITROX CONNECTOR 200 bar MR22 vers.	UPDATED : 12/12/2005
----------------	--	----------------------

REF	CODE	DESCRIPTION	REF	CODE	DESCRIPTION
48	46200594	CONNECTOR BODY 200 BAR	71	46110413	OR 2050
49	46200592	CONNECTOR WHEEL 200 BAR NITROX	198	46200655	OR 3056
51	46200593	O-RING SEAT NITROX	ASSEMBLIES		
56	46200561	CONICAL FILTER			
62	46200658	PROTECTION CAP NITROX	F	46200663	NITROX CONNECTOR 200 BAR (MR - 22)

DRAWING E 106

NITROX CONNECTOR 200 bar MR12 vers.

UPDATED : 25/05/2005

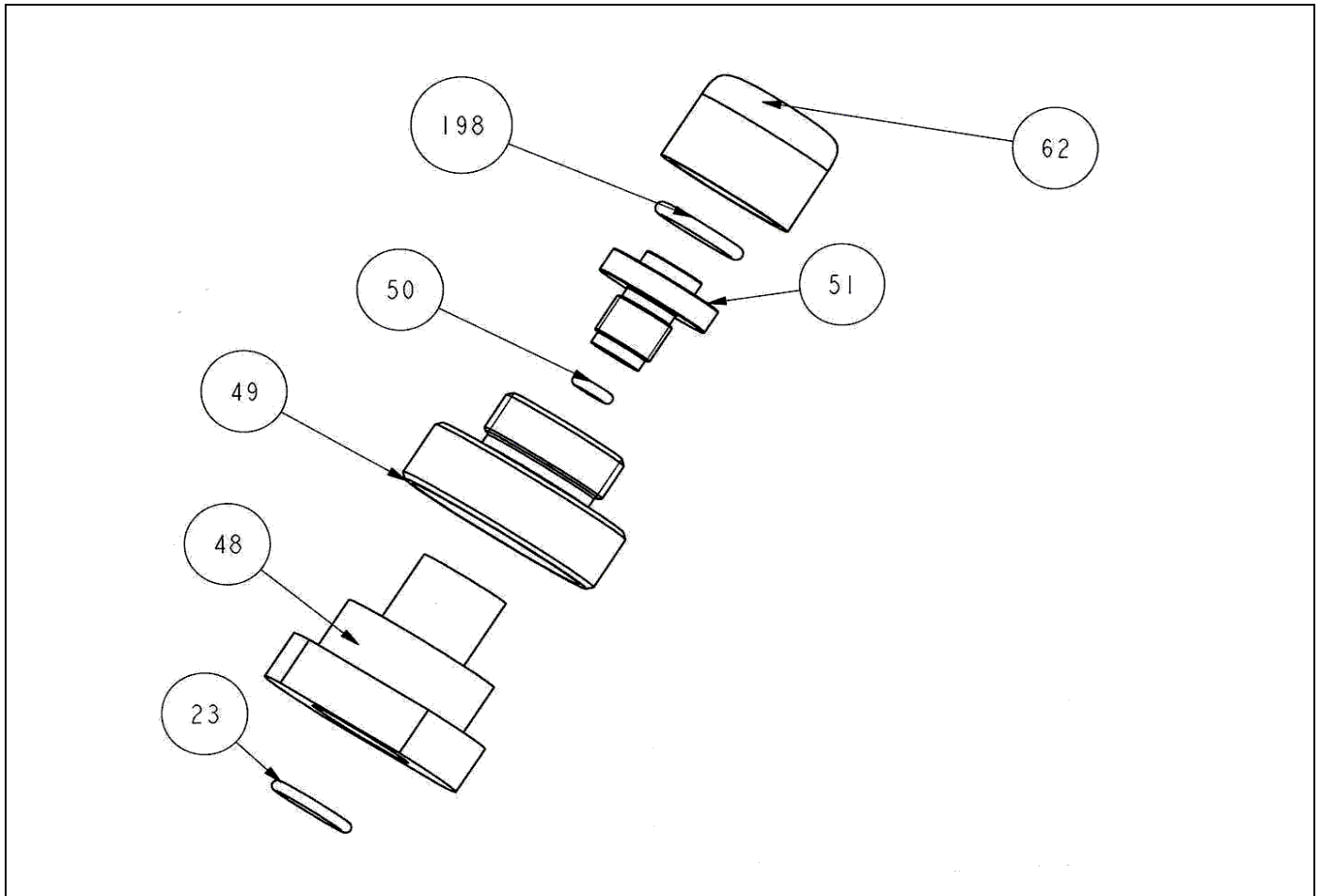


CHART NO. 29	NITROX CONNECTOR 200 bar MR12 vers.	UPDATED : 12/12/2005
--------------	--	----------------------

REF	CODE	DESCRIPTION	REF	CODE	DESCRIPTION
23	46110406	OR 115	62	46200658	PROTECTION CAP
48	46200657	CONNECTOR BODY 200 BAR	198	46200655	OR 3056
49	46200654	CONNECTOR WHEEL 200 BAR			
50	46110409	OR 2018			ASSEMBLIES
51	46200656	CONNECTOR - FRONT NITROX	F	46200664	NITROX CONNECTOR 200 BAR (MR 12)

DRAWING NO. E 30

2nd STAGE ABYSS 08 - ABYSS 08 NX - OCT. ABYSS 08

UPDATED : 03/12/2007

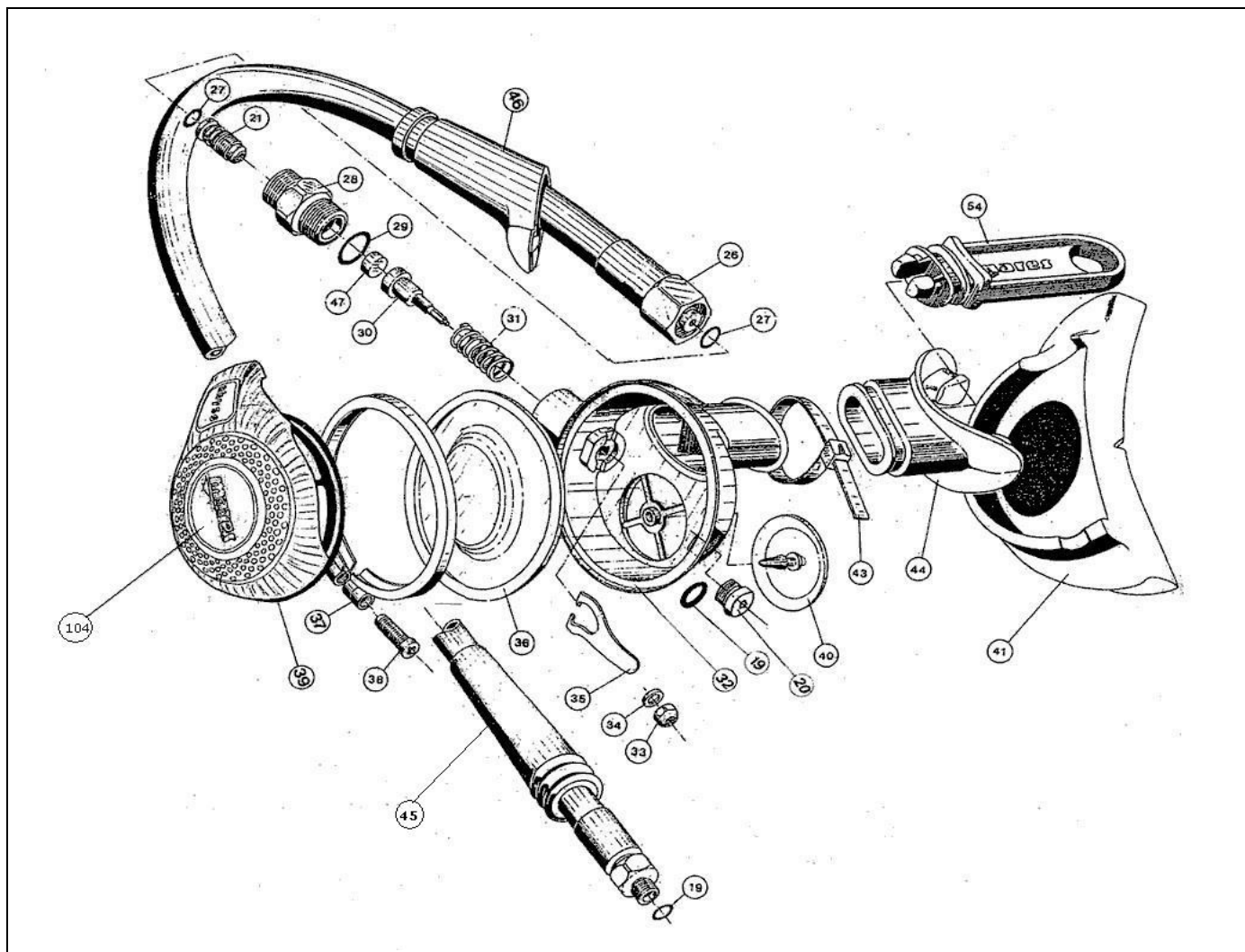


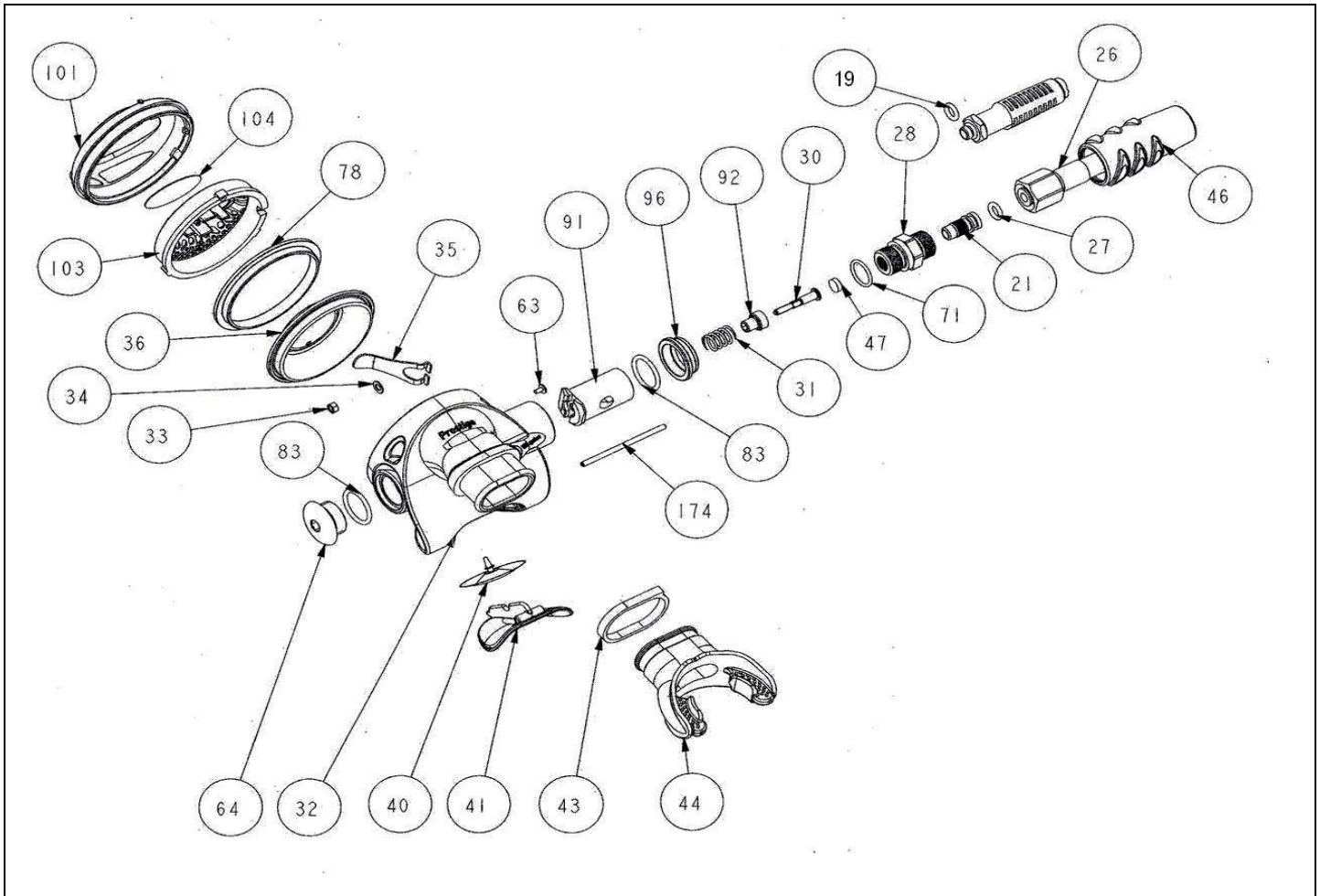
CHART NO. 120

2nd STAGE ABYSS 08 - ABYSS 08 NX - OCT. ABYSS 08

UPDATED : 20/12/2007

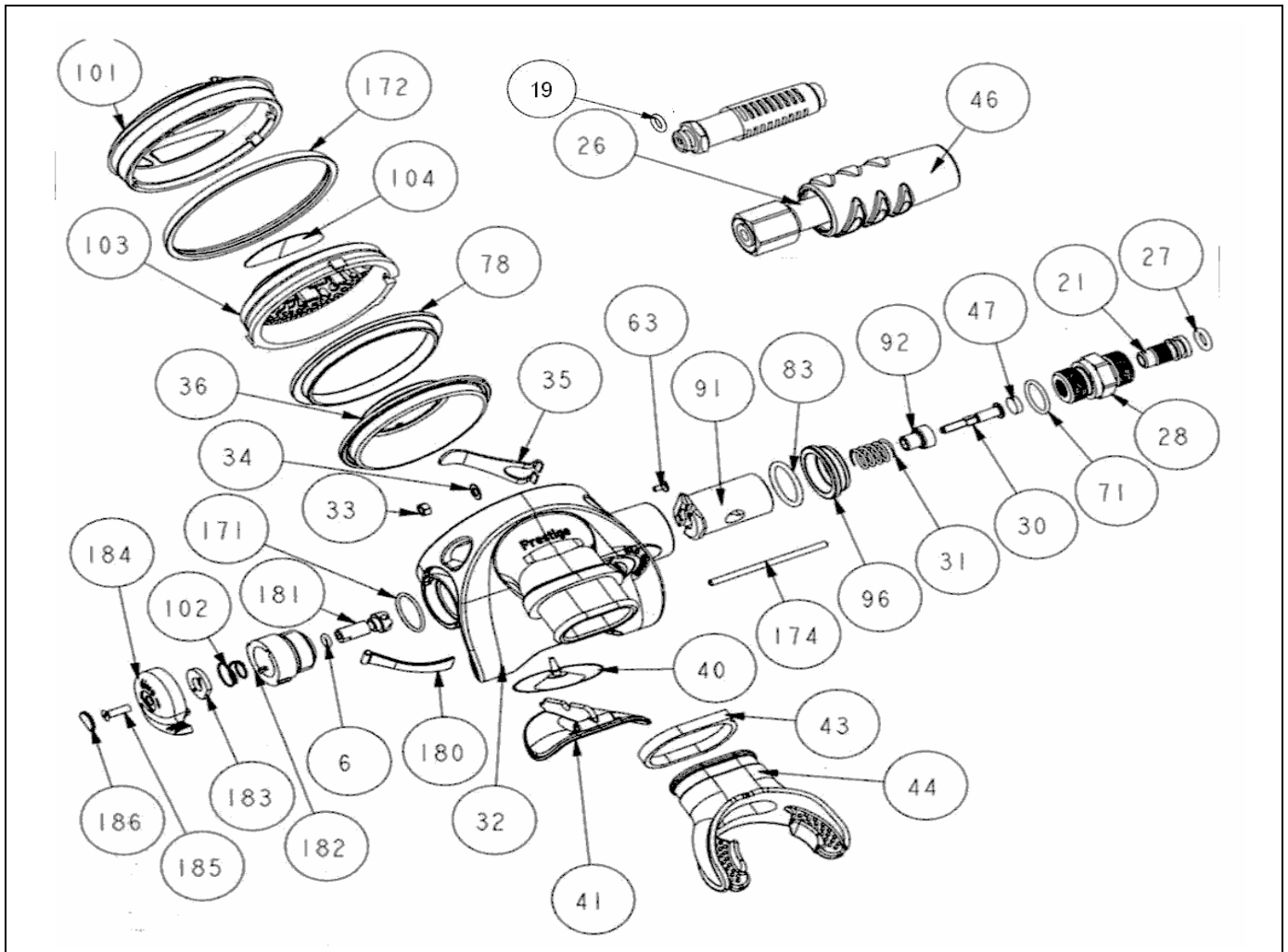
REF	CODE	DESCRIPTION
19	46110106	OR 106 (For Hose 3/8")
19	46110402	OR 106 Viton 610-97507
19	46110215	OR 2043 (For Hose 1/2")
19	46110415	OR 2043 Viton 013-9754
20	46185204	LP PLUG 3/8"
21	46200204	POPPET SEAT
26	46200840	LP HOSE ABYSS 1/2" L 800 (MR 22)
26	46200841	LP HOSE ABYSS 3/8" L 800 (MR 42)
26	46200842	LP HOSE ABYSS 3/8" L 1000 YL
27	46110205	OR 2025
27	46110411	OR 2025 Viton 010-9754
28	46184282	HOSE CONNECTOR
29	46110211	OR 2050
29	46110413	OR 2050 Viton
30	46186024	POPPET BODY, 2ND STAGE
31	46185057	POPPET SPRING 2ND STAGE
32	46186025	2ND STAGE HOUSING
33	46185051	LOCKNUT, DEMAND LEVER
34	46185049	WASHER, DEMAND LEVER
35	46200777	DEMAND LEVER
36	46186029	DIAPHRAGM, 2ND STAGE REG.
37	46185073	RING CLAMP, 2ND STAGE

REF	CODE	DESCRIPTION
38	46185075	CLAMP SCREW, II STAGE
40	46184006	EXHAUST VALVE, 2ND STAGE
41	46186310	EXHAUST TEE
43	47157984	CLAMP
44	46200855	MOUTHPIECE BK (10 pics)
45	46179902	HOSE PROTECTOR
46	46200846	HOSE PROTECTOR 2nd STG
47	46184062	POPPET SEAT 2ND STAGE
54	46186090	OCTOPUS PLUG
104	46200803	STICKER D. 28 ABYSS
104	46200805	STICKER D. 28 NITROX ABYSS
104	46200804	STICKER D. 28 OCTOPUS ABYSS
ASSEMBLIES		
G	46200856	2nd STAGE ABYSS 08 ASSY
39	46200849	COVER ASSY ABYSS 08
39	46200851	COVER ASSY ABYSS NX 08
39	46200850	COVER ASSY ABYSS OCTOPUS 08
** *	46186160	SERVICE KIT 2ND STAGE (19-27-29-33-40-43-47)
** *	46185166	SERVICE KIT 2ND STAGE NITROX (19-27-29-33-40-43-47)



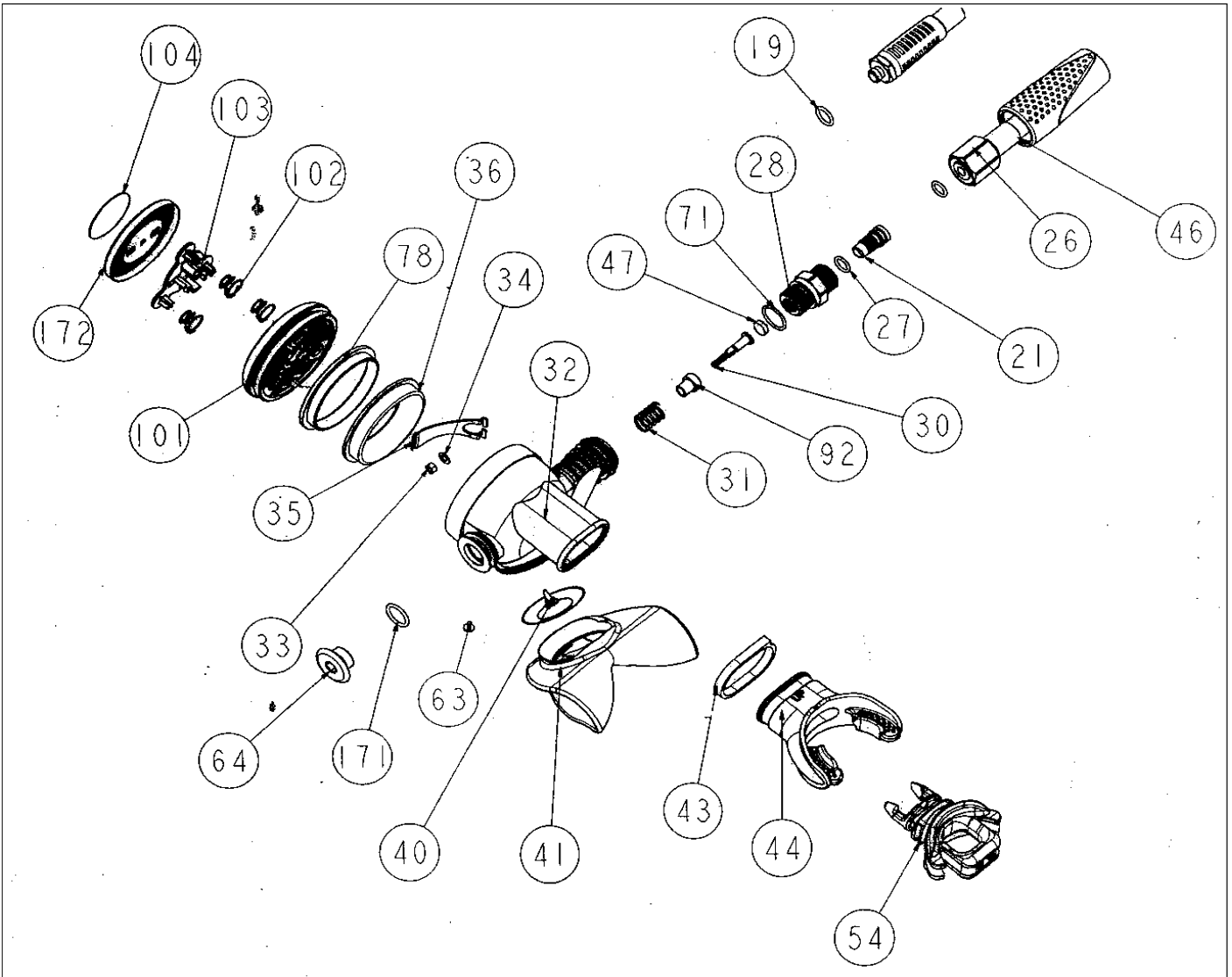
REF	CODE	DESCRIPTION
19	46110106	OR 106
19	46110402	OR 106 Viton 610-97507
21	46200204	POPPET SEAT
26	46200789	LP HOSE PRESTIGE 3/8 L 800
26	46200790	LP HOSE PRESTIGE 3/8 L1000 YL
27	46110205	OR 2025
27	46110411	OR 2025 Viton
28	46184282	HOSE CONNECTOR
30	46184219	POPPET METAL BODY REGS
31	46185057	POPPET SPRING 2ND STAGE
32	46200770	CASE 2nd STG PRESTIGE
33	46185051	LOCKNUT, DEMAND LEVER
34	46185049	WASHER, DEMAND LEVER
35	46200777	DEMAND LEVER PRESTIGE
36	46200771	DIAPHRAGM PRESTIGE
40	46184006	EXHAUST VALVE, 2ND STAGE
41	46200769	INSPECTION PLUG
43	47157984	CLAMP
44	46200855	MOUTHPIECE BK (10 pics)
45	46179902	HOSE PROTECTOR
46	46200768	HOSE PROTECTOR 2nd STG
47	46184062	POPPET SEAT 2ND STAGE

REF	CODE	DESCRIPTION
63	46184289	PIN-COVER
64	46200772	2nd ST. ADJUSTMENT PLUG
71	46110211	OR 2050
71	46110413	OR 2050 Viton
78	46200773	DIAPHRAGM RING PRESTIGE
83	46110225	OR 2068
83	46110420	OR 2068 Viton
91	46200774	INSERT FOR DEMAND LEVER
92	46184221	VALVE BODY, 2ND STAGE
96	46200779	SPACER RING BY-PASS BK
96	46200782	SPACER RING BY-PASS YL
101	46200775	COVER 2nd STG PRESTIGE
101	46200781	OCTOPUS COVER PRESTIGE
103	46200776	BUTTON 2ND STAGE
104	46200794	STICKER
174	46200361	EXHAUST PLUG PIN
ASSEMBLIES		
A	46200838	2nd STG PRESTIGE ASSY
***	46200296	MAINTENANCE KIT REBEL/PRESTIGE (19- 27- 33 - 40- 43- 47 - 63 - 71-72 - 83)
***	46200297	MAINTENANCE KIT PRESTIGE(Viton O-Rings) (19-27- 33 -40 - 43 - 47 -63-71- 72- 83)



REF	CODE	DESCRIPTION
6	46110101	OR 2012
6	46110401	OR 2012 VITON 006-9707
19	46110215	OR 106
19	46110415	OR 106 Viton 610-97507
21	46200204	POPPET SEAT
26	46200824	LP HOSE PRESTIGE BK 1/2 L 800
27	46110205	OR 2025
27	46110411	OR 2025 Viton 010-9707
28	46184282	HOSE CONNECTOR
30	46184219	POPPET METAL BODY REGS
31	46185057	POPPET SPRING 2ND STAGE
32	46200819	CASE 2nd STG NTT
33	46185051	LOCKNUT, DEMAND LEVER
34	46185049	WASHER, DEMAND LEVER
35	46200777	DEMAND LEVER PRESTIGE
36	46200771	DIAPHRAGM PRESTIGE
40	46184006	EXHAUST VALVE, 2ND STAGE
41	46200769	INSPECTION PLUG
43	47157984	CLAMP
44	46200855	MOUTHPIECE BK (10 pics)
45	46179902	HOSE PROTECTOR
46	46200768	HOSE PROTECTOR 2nd STG
47	46184062	POPPET SEAT 2ND STAGE
63	46184289	PIN-COVER
71	46110211	OR 2050
71	46110413	OR 2050 Viton 014-9707
78	46200773	DIAPHRAGM RING PRESTIGE
83	46110225	OR 2068

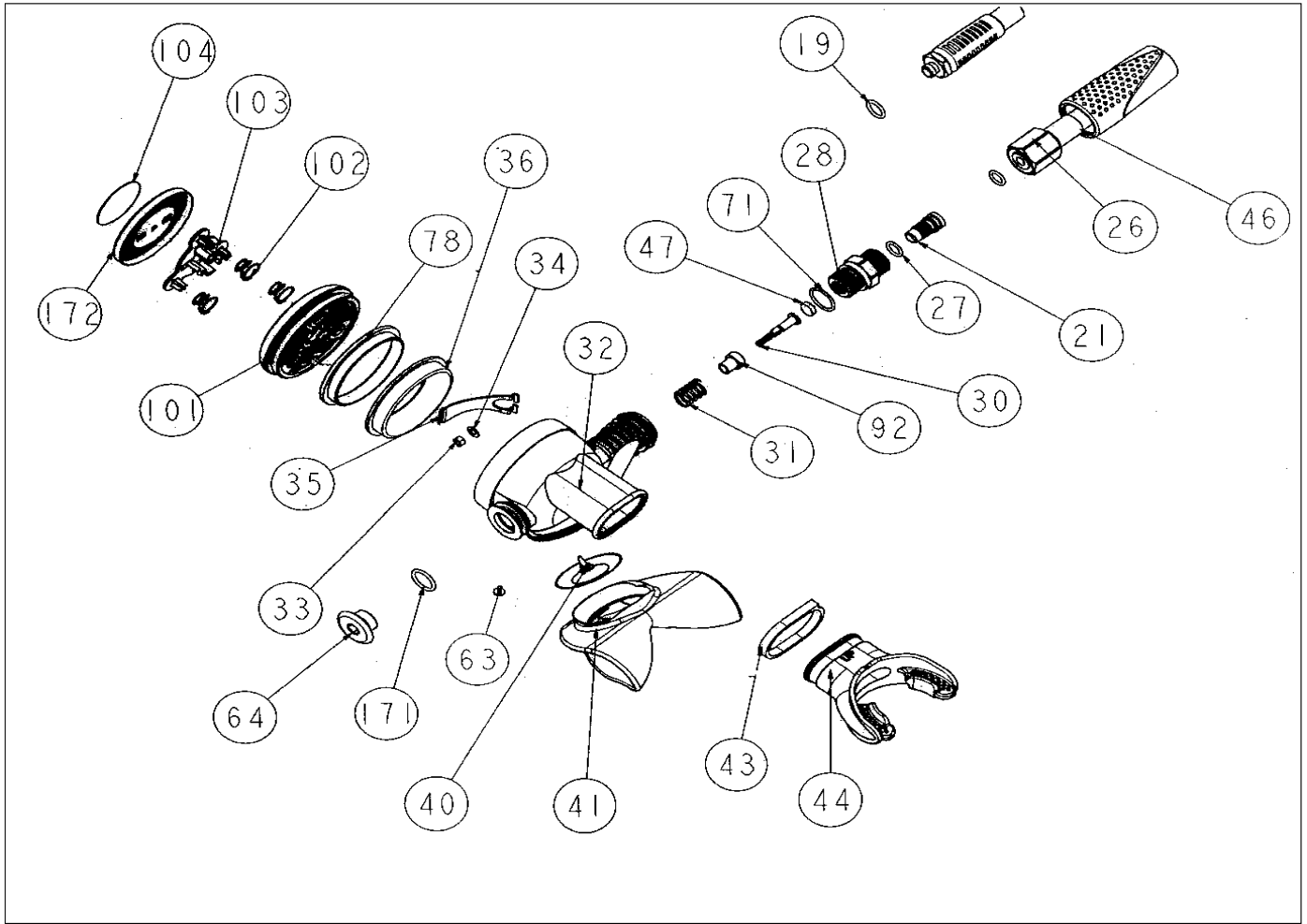
REF	CODE	DESCRIPTION
83	46110420	OR 2068 Viton
87	46184233	PLUG SEAT
90	46184223	SPACER RING
91	46200774	INSERT FOR DEMAND LEVER
92	46184221	VALVE BODY, 2ND STAGE
96	46200818	SPACER RING BY-PASS
101	---	COVER
102	47159075	SPRING DPD
103	46200776	BUTTON 2nd STG PRESTIGE
104	46200825	LABEL NTT
171	46110220	OR 2062
171	46110417	OR 2062 Viton
172	---	RING ANODIZED ALUMINIUM
174	46200361	EXHAUST PLUG PIN
180	46200814	LEVER DPD
181	46200391	ADJ STEM DPD
182	46200813	BODY DPD
183	46200390	ADJ LOCK
184	46200812	KNOB DPD
185	46200395	INOX SCREW M 2x10
186	46200802	STICKER D.9 NTT
ASSEMBLIES		
	46200852	2nd STG ASSY NTT
---	46200835	COVER ASSY NTT(101-172)
***	46200822	SERVICE KIT 2nd NTT (6-19-27-33-40-43-47-63-71-83-171-186)
***	46200823	SERVICE KIT 2nd NTT (VITON O-Rings) (6-19-27-33-40-43-47-63-71-83-171-186)



REF	CODE	DESCRIPTION
19	46110106	OR 106 (for Hose 3/8")
19	46110402	OR 106 Viton 610-97507
19	46110215	OR 2043 (for Hose 1/2")
19	46110415	OR 2043 Viton 013-9754
21	46200204	POPPET SEAT
26	46200730	BLACK HOSE SOFT 1/2"
26	46200452	SOFT HOSE YELLOW 3/8" 1000
27	46110205	OR 2025
27	46110411	OR 2025 Viton 010-9707
28	46184282	HOSE CONNECTOR
30	46200626	VALVE STEM
31	46200625	VALVE SPRING
32	46200624	SECOND STAGE CASE
33	46200623	LOCKING NUT
34	46200622	WASHER
35	46187027	DEMAND LEVER, TEFLON COATED
36	46200311	DIAPHRAGM 2ND STAGE
40	46184006	EXHAUST VALVE
41	46200521	EXHAUST TEE
43	47157984	CLAMP
44	46200855	MOUTHPIECE BK (10 pics)
46	46200323	HOSE PROTECTOR

REF	CODE	DESCRIPTION
47	46184062	POPPET SEAT
63	46184289	PIN, COVER
64	46200460	2nd ST. ADJUSTMENT PLUG
71	46110211	OR 2050
71	46110413	OR 2050 Viton 014-9707
78	46200321	RING-DIAPHRAGM
92	46184221	POPPET BODY
101	+++	COVER FOR 2° STG PROTON METAL
102	+++	SPRING
103	+++	COVER BUTTON PROTON ICE
104	46200653	LABEL - COVER PROTON EXTREME
171	46110110	OR 2037
171	46200298	OR 2037 Viton
172	+++	FRONTAL PROTON ICE EXTREME
ASSEMBLIES		
+++	46200632	COVER ASSY PROTON ICE EXTREME (101 - 102 - 103 - 104 - 172)
***	46200704	SERVICE KIT, 2° ST PROTON I. EXTREME (19 - 27 - 33 - 40 - 43 - 47 - 71 - 171)
***	46200408	SERVICE KIT VITON, 2° ST PROTON (19 - 27 - 33 - 40 - 43 - 47 - 71 - 171)

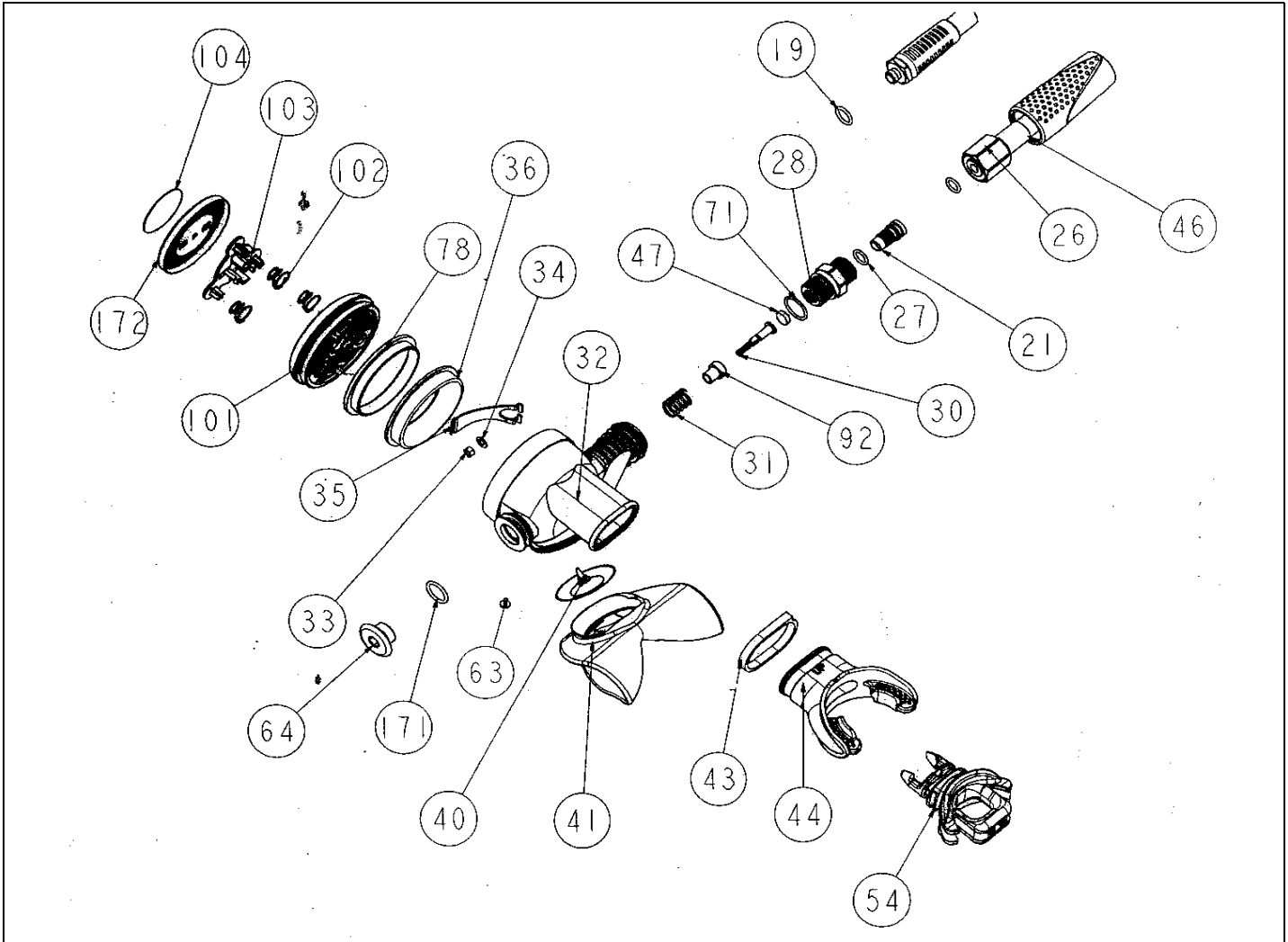
**2nd STAGE PROTON METAL -
OCTOPUS PROTON METAL**



**2nd STAGE PROTON METAL -
OCTOPUS PROTON METAL**

REF	CODE	DESCRIPTION
19	46110106	OR 106
19	46110402	OR 106 Viton 610-97507
21	46200204	POPPET SEAT
26	46200731	HOSE SOFT 3/8 L800 T
26	46200452	HOSE SOFT 3/8 1000 (Yellow)
27	46110205	OR 2025
27	46110411	OR 2025 Viton 010-9707
28	46184282	HOSE CONNECTOR
30	46184219	POPPET METAL BODY
31	46185059	POPPET SPRING
32	46200524	2nd STAGE CASE, PROTON METAL
33	46185051	LOCKNUT, DEMAND LEVER 2ND STAGE
34	46185049	WASHER, DEMAND LEVER
35	46187027	DEMAND LEVER, TEFLON COATED
36	46200311	DIAPHRAGM 2ND STAGE
40	46184006	EXHAUST VALVE
41	46200521	EXHAUST TEE
43	47157984	CLAMP
44	46200855	MOUTHPIECE BK (10 pics)
46	46200323	HOSE PROTECTOR
47	46184062	POPPET SEAT
63	46184289	PIN, COVER

REF	CODE	DESCRIPTION
64	46200322	2nd ST. ADJUSTMENT PLUG
64	46200460	2nd ST. ADJUSTMENT PLUG (OCTOPUS)
71	46110211	OR 2050
71	46110413	OR 2050 Viton 014-9707
78	46200321	RING-DIAPHRAGM
92	46184221	POPPET BODY
101	+++	COVER FOR 2° STG PROTON METAL
102	+++	SPRING
103	+++	COVER BUTTON PROTON ICE
104	46200519	LABEL, COVER PROTON METAL
171	46110110	OR 2037
171	46200298	OR 2037 Viton
172	+++	FRONTAL PROTON METAL
ASSEMBLIES		
G	46200531	2nd STAGE ASSY, PROTON METAL
+++	46200525	GRID COVER ASSY, PROTON METAL (101 - 102 - 103 - 104 - 172)
***	46200409	SERVICE KIT, 2nd STAGE Proton series (19 - 27 - 33 - 40 - 43 - 47 - 71 - 171)
***	46200408	SERVICE KIT, 2nd STAGE NX Proton series (19 - 27 - 33 - 40 - 43 - 47 - 71 - 171)



REF	CODE	DESCRIPTION
19	46110106	OR 106
19	46110402	OR 106 Viton 610-97507
21	46200204	POPPET SEAT
26	46200731	HOSE SOFT 1/2 800 Hi/Flow (V32)
27	46110205	OR 2025
27	46110411	OR 2025 Viton 010-9707
28	46184282	HOSE CONNECTOR
30	46184219	POPPET METAL BODY
31	46185059	POPPET SPRING
32	46200524	2nd STAGE CASE, PROTON METAL
33	46185051	LOCKNUT, DEMAND LEVER 2ND STAG
34	46185049	WASHER, DEMAND LEVER
35	46187027	DEMAND LEVER, TEFLON COATED
36	46200311	DIAPHRAGM 2ND STAGE
40	46200236	EXHAUST VALVE
41	46200456	EXHAUST TEE
43	46200458	CLAMP
44	°°°	MOUTHPIECE
46	46200323	HOSE PROTECTOR
47	46184062	POPPET SEAT
63	46184289	PIN, COVER

REF	CODE	DESCRIPTION
64	46200322	2nd ST. ADJUSTMENT PLUG
71	46110211	OR 2050
71	46110413	OR 2050 Viton 014-9707
78	46200321	RING-DIAPHRAGM
92	46184221	POPPET BODY
101	+++	COVER FOR 2° STG PROTON ICE
102	+++	SPRING
103	+++	COVER BUTTON PROTON ICE
104	46200724	LABEL, COVER PROTON SHE DIVES
171	46110110	OR 2037
171	46200298	OR 2037 Viton
172	+++	FRONTAL PROTON ICE
ASSEMBLIES		
G	46200759	2nd STAGE ASSY, PROTON SHE DIVES
+++	46200725	COVER ASSY, PROTON SHE DIVES (101 - 102 - 103 - 104 - 172)
+++	46200409	SERVICE KIT, PROTON SERIES (19 - 27 - 33 - 40 - 43 - 47 - 71 - 171)
+++	46200408	SERVICE KIT VITON, PROTON SERIES (19 - 27 - 33 - 40 - 43 - 47 - 71 - 171)

DRAWING NO. E 33

2nd STAGE REBEL - REBEL NX
OCT. REBEL - OCT. REBEL NX

UPDATED: 03/07/2007

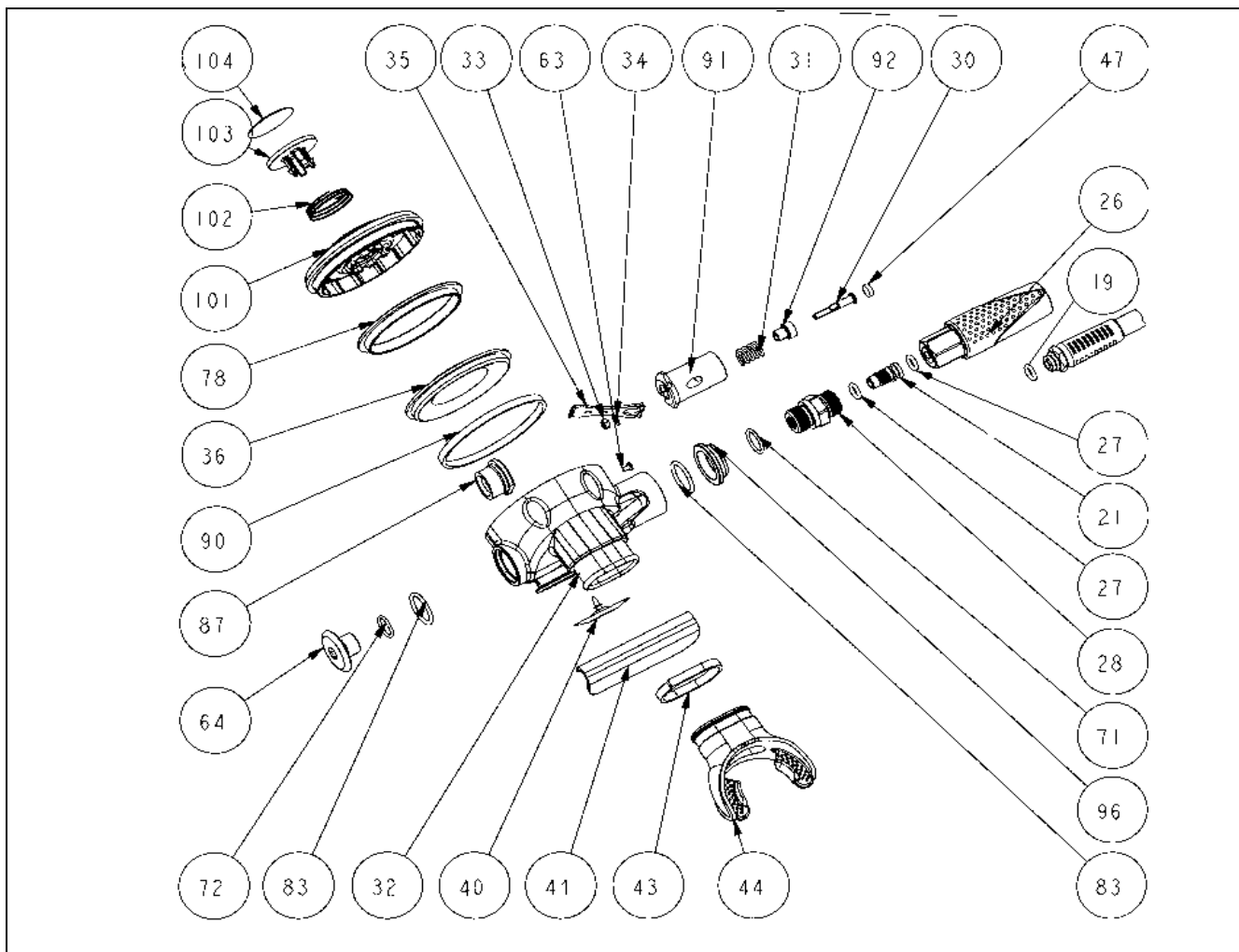


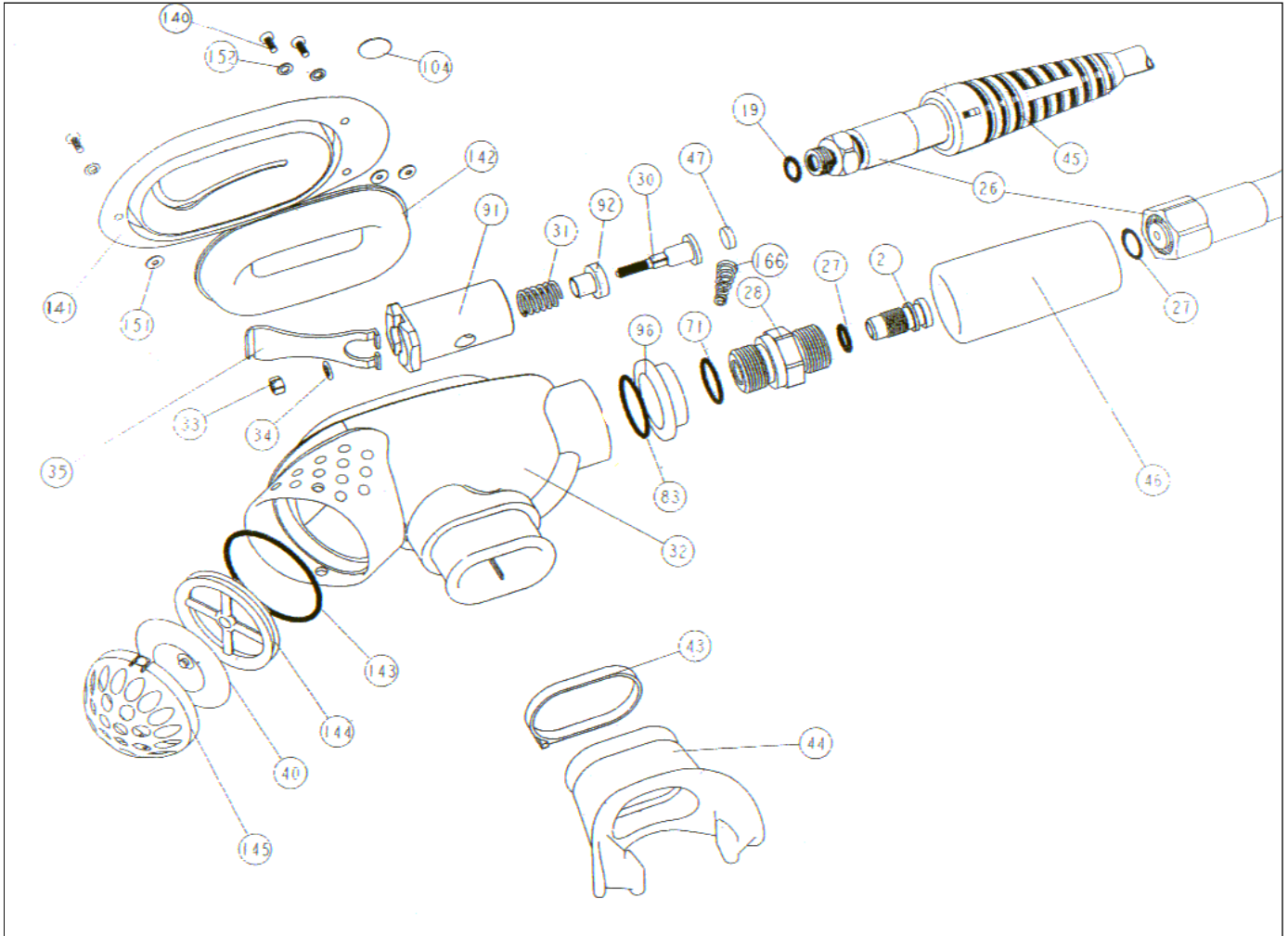
CHART NO. 123

2nd STAGE REBEL - REBEL NX
OCT. REBEL - OCT. REBEL NX

UPDATED : 22/01/2007

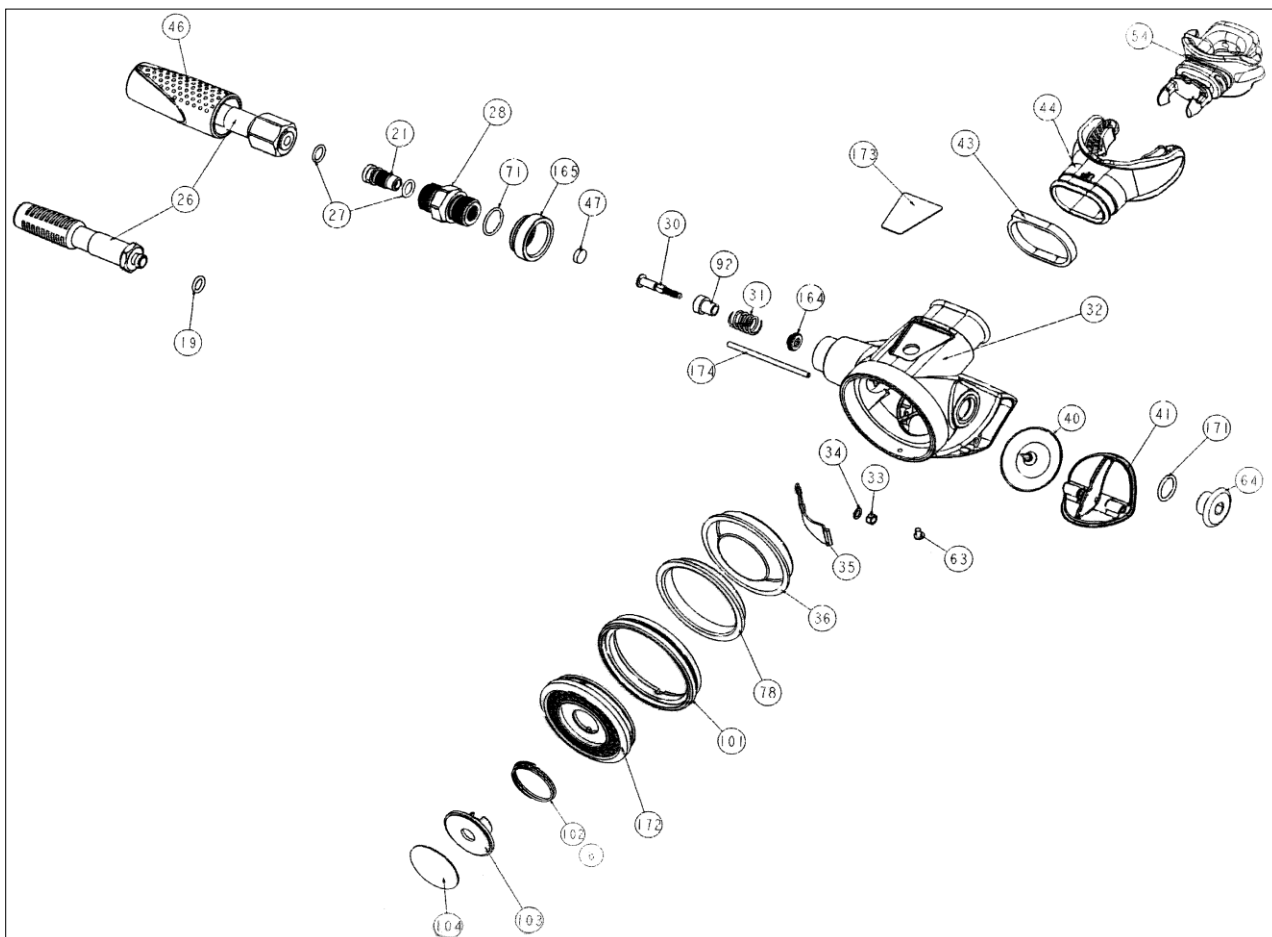
Rif.N.	Codice	Denominazione
19	46110106	OR 106
19	46110402	OR 106 Viton 610-97507
21	46200204	POPPET SEAT
26	46200452	SOFT HOSE yellow 3/8" 1000
26	46200451	SOFT HOSE black 3/8" 800
27	46110205	OR 2025
27	46110411	OR 2025 Viton 010-9707
28	46184282	HOSE CONNECTOR
30	46184219	POPPET METAL BODY REGS
31	46185057	POPPET SPRING 2ND STAGE
32	46200703	SECOND STAGE CASE
33	46185051	LOCKNUT, DEMAND LEVER
34	46185049	WASHER, DEMAND LEVER
35	46185104	TEFLON LEVER 2ND STAGE
36	46184225	MODULAR DIAPHRAGM
40	46184006	EXHAUST VALVE, 2ND STAGE
41	46186266	EXHAUST TEE 2ND STAGE 98
43	47157984	CLAMP
44	46200855	MOUTHPIECE BK (10 pics)
45	46179902	HOSE PROTECTOR
46	46200323	2ND STAGE HOSE PROTECTOR
47	46184062	POPPET SEAT 2ND STAGE
54	46186090	OCTOPUS PLUG
63	46184289	PIN-COVER
64	46186267	2nd ST. ADJUSTMENT PLUG
71	46110211	OR 2050
71	46110413	OR 2050 Viton 014-9707
72	46110215	OR 2043
72	46110415	OR 2043 Viton 013-9707

Rif.N.	Codice	Denominazione
78	46184224	RING-DIAPHRAGM
83	46110225	OR 2068
83	46110420	OR 2068 Viton 017-9707
87	46184233	PLUG SEAT
90	46184223	SPACER RING
91	46200693	LEVER INSERT REBEL 2K6
92	46184221	VALVE BODY, 2ND STAGE
96	46200225	LOCK RING, BY PASS
101	+++	REBEL 2° STG COVER BLACK
101	+++	REBEL 2° STG COVER YELLOW
102	+++	SPRING
103	+++	BUTTON
104	46200539	PURGE BUTTON LABEL - REBEL
104	46200540	PURGE BUTTON LABEL - REBEL NITROX
ASSEMBLIES		
	46200292	SECOND STAGE ASSY REBEL NITROX
	46200294	SECOND STAGE ASSY REBEL
+++	46200601	COVER ASSY REBEL (101-102-103-104)
+++	46200598	COVER ASSY REBEL NITROX (101-102-103-104)
+++	46200600	COVER ASSY REBEL OCTOPUS (101-102-103-104)
+++	46200599	COVER ASSY REBEL OCTOPUS NITROX (101-102-103-104)
+++	46200296	SERVICE KIT AXIS/REBEL (19-27-33-40-43-47-71-72-83)
+++	46200297	SERVICE KIT VITON AXIS/REBEL NITROX (19-27-33-40-43-47-71-72-83)

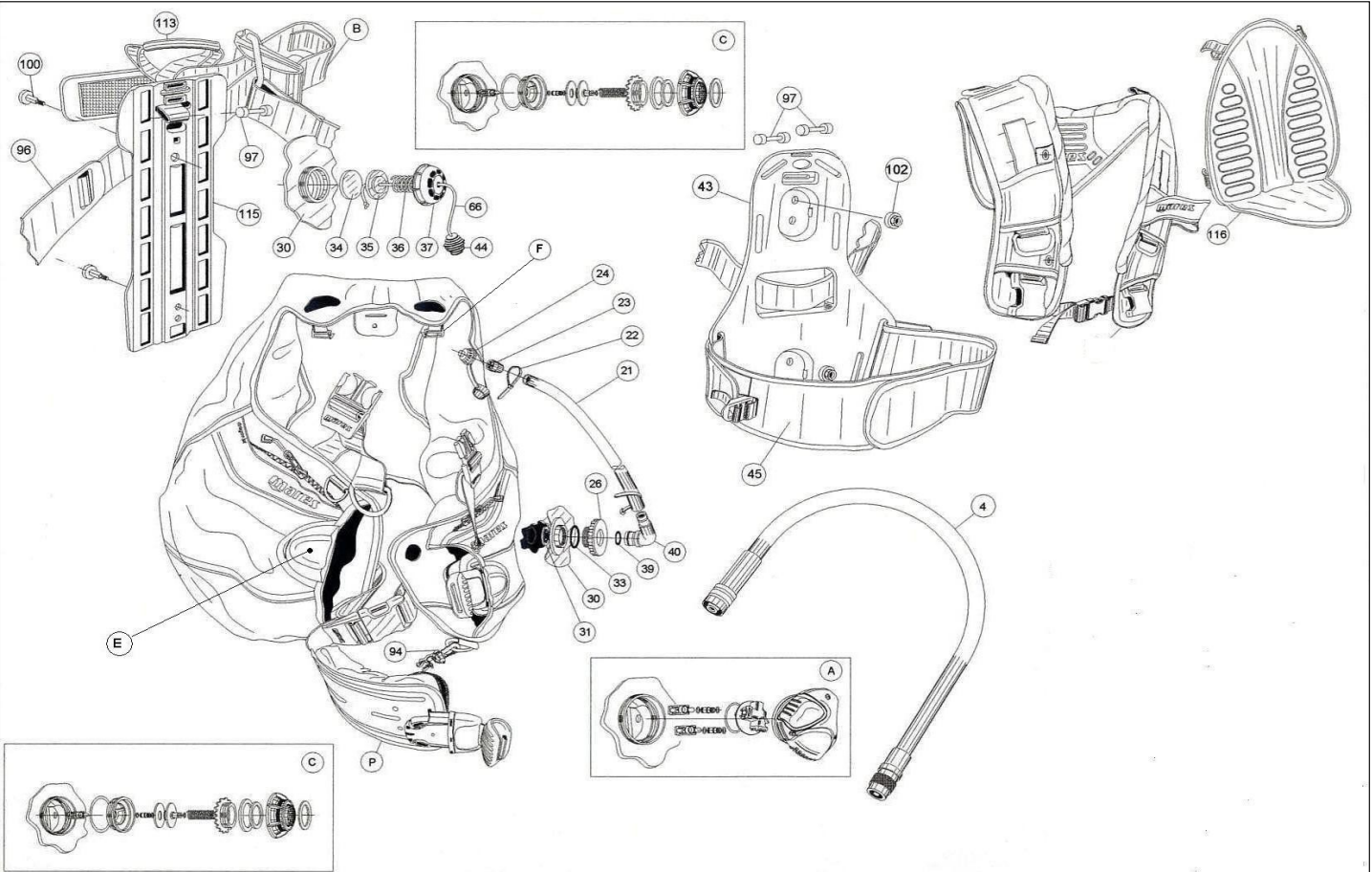


REF	CODE	DESCRIPTION
19	46110106	O RING 106
19	46110402	O RING 106 VITON
21	46200204	POPPET SEAT 2ND STAGE
26	46200452	SOFT HOSE yellow 3/8" L1000
27	46110205	O RING 2025
27	46110411	OR 2025 Viton
28	46184282	HOSE CONNECTOR
30	46184219	POPPET METAL BODY REGS
31	46185059	SPRING REGULATOR 2ND STAGE
32	°°°	2° STAGE CASE OCTOPUS MV
33	46185051	LOCKNUT DEMAND LEVER
34	46185049	WASHER DEMAND LEVER
35	46187027	DEMAND LEVER
40	46184006	EXHAUST VALVE
43	47157984	MOUTHPIECE CLAMP
44	46200855	MOUTHPIECE BK (10 pics)
45	46200323	HOSE PROTECTOR 2ND STAGE
46	46179902	HOSE PROTECTOR 1ST STAGE
47	46184062	POPPET SEAT
71	46110211	O RING 2050
71	46110413	O RING 2050 Viton
83	46110225	O RING 2068

REF	CODE	DESCRIPTION
83	46110420	OR 2068 Viton
91	46187033	POPPET HOUSING
92	46184221	VALVE BODY 2ND STAGE
96	46187038	LOCK RING
104	46200687	MARES OVAL LABEL - 17,5 mm
140	46187004	SCREW M 2X5 DIN 7985-A4
141	46187028	COVER MV YELLOW
142	46187009	OVAL DIAPHRAGM
143	46110175	O RING 2125
143	46110430	OR 2125 Viton
144	46187025	EXHAUST VALVE SEAT
145	46187024	EXHAUST VALVE GRID YELLOW
151	46187008	WHITE WASHER 1,8X5X0,5
152	46187005	FLAT WASHER UNI 6592 D 4,5
166	46200179	CONICAL SPRING, REG.
ASSEMBLIES		
°°°	46200780	2° STAGE CASE MV (32-166)
***	46186090	OCTOPUS PLUG
***	46187222	SERVICE KIT 2ND STAGE MV (19-27-33-40-43-47-71-83-143)
***	46187223	SERVICE KIT VITON O-RING MV (19-27-33-40-43-47-71-83-143)

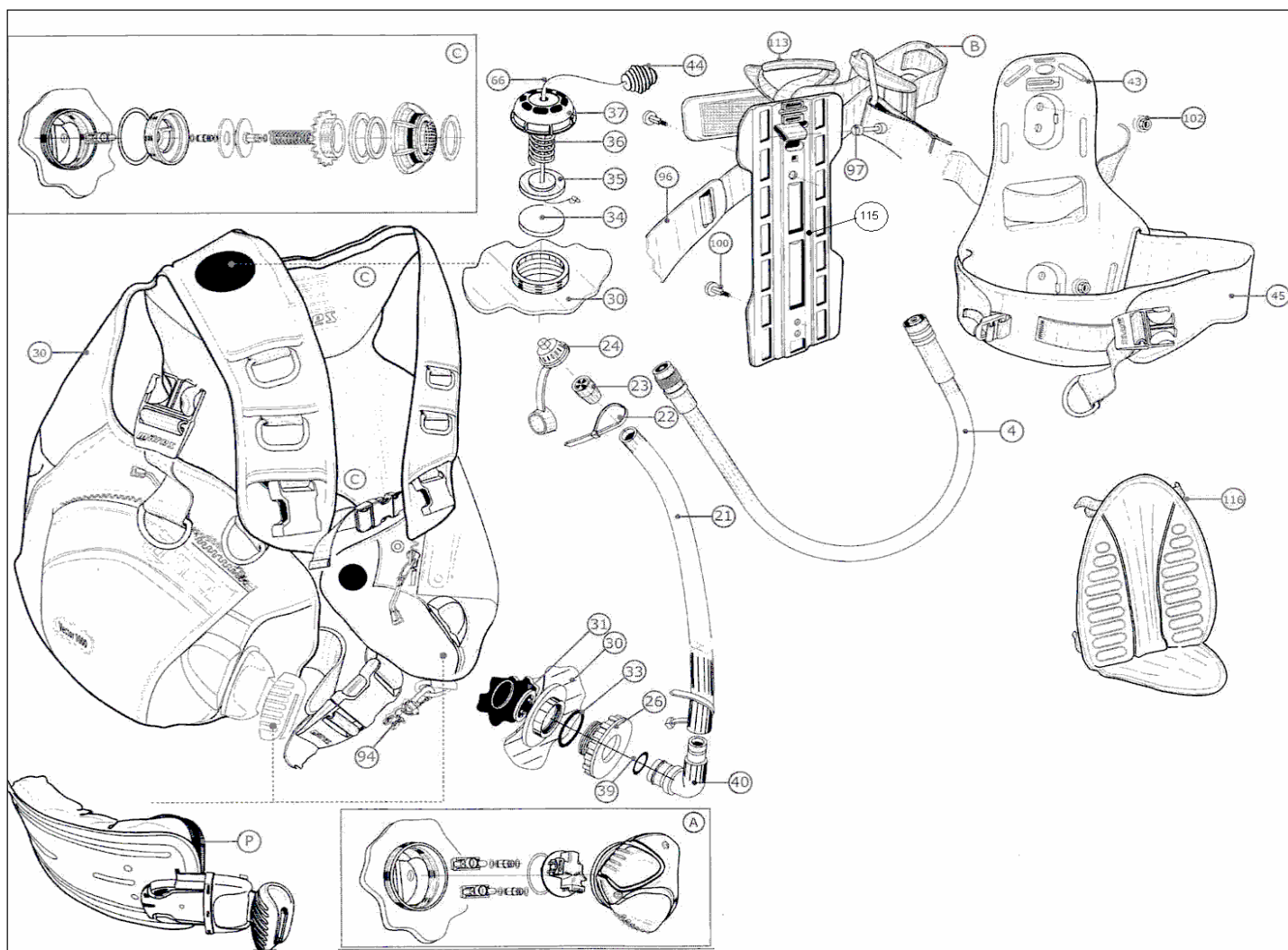


REF	CODE	DESCRIPTION	REF	CODE	DESCRIPTION
19	46110106	OR 106	71	46110211	OR 2050
19	46110402	OR 106 Viton 610-97507	71	46110413	OR 2050 Viton 014-9707
21	46200204	POPPET SEAT	78	46200321	RING-DIAPHRAGM
26	46200452	SOFT HOSE yellow 3/8" 1000	92	46184221	POPPET BODY
27	46110205	OR 2025	101	+++	COVER RING
27	46110411	OR 2025 Viton 010-9707	102	+++	SPRING, REG.PURGE BUTTON
28	46184282	HOSE CONNECTOR	103	+++	BUTTON FOR COVER
30	46184219	POPPET METAL BODY REGS 2ND STAGE	104	46200339	PURGE BUTTON LABEL
31	46185059	POPPET SPRING	164	---	WASHER
32	S	2° STAGE CASE	165	46200334	SPACER RING
33	46185051	LOCKNUT, DEMAND LEVER 2ND STAGE	171	46110110	OR 2037
34	46185049	WASHER, DEMAND LEVER II STAGE REG	171	46200298	OR 2037 Viton
35	46187027	TEFLON LEVER 2ND ST	172	+++	RUBBER COVER 2° ST PROTON OCTOPUS
36	46200311	DIAPHRAGM 2ND STAGE	173	46200340	LABEL CASE PROTON
40	46184006	EXHAUST VALVE, 2ND STAGE	174	46200361	EXHAUST PLUG PIN
41	46200315	INSPECTION PLUG Proton	ASSEMBLIES		
43	47157984	CLAMP	S	46200526	CASE ASSY, P.F. OCT PROTON (32-164-165)
44	46200855	MOUTHPIECE BK (10 pics)	+++	46200413	COVER ASSY, OCTOPUS PROTON (101 - 103 - 104 - 172)
46	46200323	HOSE PROTECTOR	+++	46200409	SERVICE KIT 2ND STAGE PROTON SERIES (19 - 27 - 33 - 40 - 43 - 47 - 63 - 71 - 171)
47	46184062	POPPET SEAT	+++	46200408	SERVICE KIT VITON PROTON SERIES (19 - 27 - 33 - 40 - 43 - 47 - 63 - 71 - 171)
54	46186090	OCTOPUS PLUG			
63	46184289	PIN-COVER			
64	46200322	CASE REGULATING PLUG			



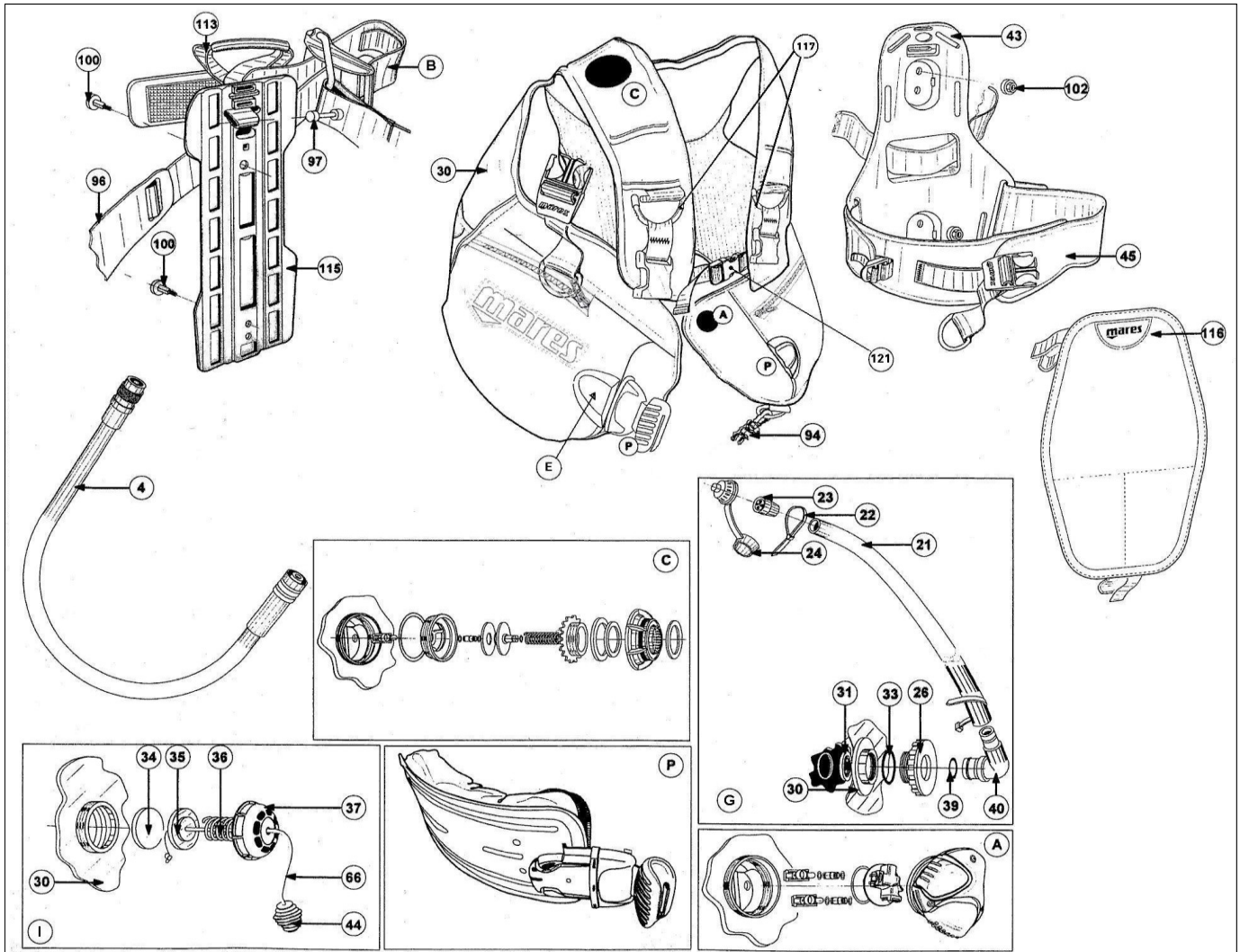
REF	CODE	DESCRIPTION
4	47159681	INT HOSE, LP INFLATOR
21	x x x	LP INTERNAL PIPE 10x14 cm50
22	45179863	HOSE CLAMP 3.6 x 200
23	46200016	VALVE HALKEY ROBERTS 730 ROA
24	46200017	DUST CAP, VALVE Halkey Robert
26	x x x	FLANGE FOR SWIVEL ELBOW H.U.B.
30	N.D.	BLADDER (Tg XS - XL)
31	47158708	RETAINING RING DIN 471 D. 18
33	47110271	O-Ring 3100
34	47159125	SEAL, OVERPRESSURE VALVE
35	47159054	SEAT DISC, OVERPRESSURE VALVE
36	47159150	SPRING, RAPID EXHAUST VALVE
37	47159056	CAP, O P VALVE
39	46110210	O-RING 2056
40	x x x	SWIVELLING ELBOW
43	47200219	BACK PACK
44	47159136	PULL KNOB R.E.VALVE BC. VEST BLACK
45	47200857	WAIST BAND DRAGON A.T. XS
45	47200858	WAIST BAND DRAGON A.T. S
45	47200859	WAIST BAND DRAGON A.T. M
45	47200860	WAIST BAND DRAGON A.T. L
45	47200861	WAIST BAND DRAGON A.T. XL
66	43169822	LINE, BLACK, DIAM. 1,75

REF	CODE	DESCRIPTION
94	47159003	HOSE RETAINER CLIP
96	47159311	RUBBER EXTRUSION,TANK BAND
97	47159293	SCREW, TANK BAND
100	47158522	SCREW M 6 x 20
102	47159748	FLANGED NUT M6
113	47159609	HANDLE, BACK PACK
115	47159160	COUNTER BACK PACK
116	47200797	BACK ACK PADDING
156	47200862	SHOULDER STRAP BIG
156	47200863	SHOULDER STRAP SMALL
ASSEMBLIES		
A	-----	AIRTRIM CONTROL ASSEMBLY (Tab. N°253 dis n° J105)
B	47159295	TANK BAND ASSEMBLY - SINGLE TANK
C	-----	AIR DUMP VALVE ASSY (Tab. n° 254 dis. N° J106)
x x x	47200376	ORAL INFLATOR ASSEMBLY (21 - 22 - 23 - 26 - 31 - 33 - 39 - 40)
P	417954	Kit Mrs Plus big (M-L-XL)
P	417955	Kit Mrs Plus small (XS-S)
x x x	47159058	RAPID EXHAUST KIT (34-35-36-37-42-66)
E	47200925	PLATE/BUCKLE KIT MRS PLUS
F	47159302	LL 25 BLACK ACETALIC



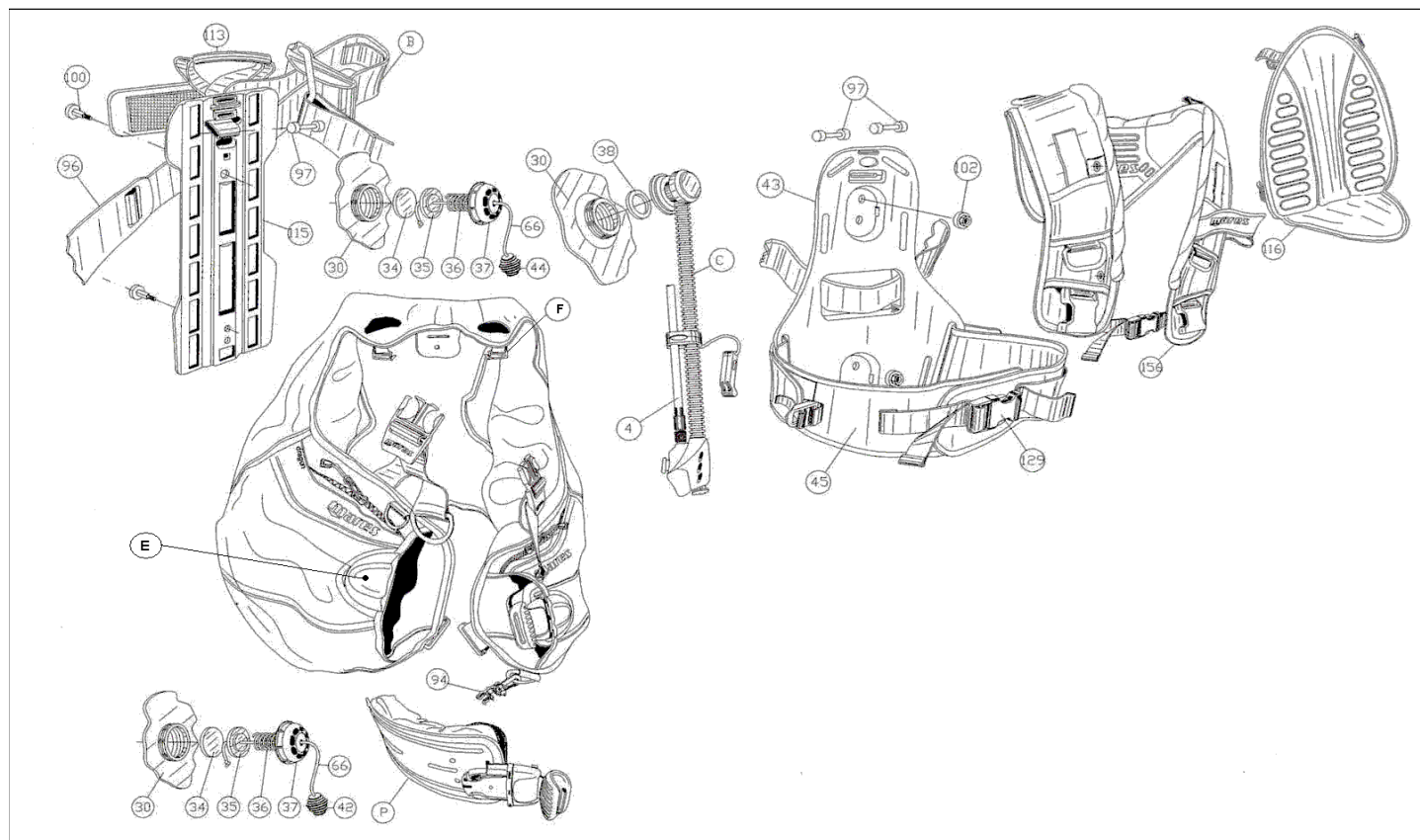
REF	CODE	DESCRIPTION
4	47159681	INT HOSE, LP INFLATOR
21	x x x	LP INTERNAL PIPE 10x14 cm50
22	45179863	HOSE CLAMP 3.6 x 200
23	46200016	VALVE HALKEY ROBERTS 730 ROA
24	46200017	DUST CAP, VALVE Halkey Robert
26	x x x	FLANGE FOR SWIVEL ELBOW H.U.B.
30	N.D.	BLADDER (Tg XS - XL)
31	47158708	RETAINING RING DIN 471 D. 18
33	47110271	O-Ring 3100
34	47159125	SEAL, OVERPRESSURE VALVE
35	47159054	SEAT DISC, OVERPRESSURE VALVE
36	47159150	SPRING, RAPID EXHAUST VALVE
37	47159056	CAP, O P VALVE
39	46110210	O-RING 2056
40	x x x	SWIVELLING ELBOW
43	47200219	BACK PACK
44	47159136	PULL KNOB R.E. VALVE BLACK
45	47200857	WAIST BAND DRAGON A.T. XS
45	47200858	WAIST BAND DRAGON A.T. S
45	47200859	WAIST BAND DRAGON A.T. M
45	47200860	WAIST BAND DRAGON A.T. L
45	47200861	WAIST BAND DRAGON A.T. XL

REF	CODE	DESCRIPTION
66	43169822	LINE, BLACK, DIAM. 1,75
96	47159311	RUBBER EXTRUSION, TANK BAND
97	47159293	SCREW, TANK BAND
100	47158522	SCREW M 6 x 20
102	47159748	FLANGED NUT M6
113	47159609	HANDLE, BACK PACK
115	47159160	COUNTER BACK PACK
116	47200797	BACK ACK PADDING
ASSEMBLIES		
94	415157	HOSE RETAINER CLIP ASSY
A	-----	AIRTRIM CONTROL ASSEMBLY (Tab. N°253 dis n° J105)
B	47159295	TANK BAND ASSEMBLY - SINGLE TANK
C	-----	AIR DUMP VALVE ASSY (Tab. n° 254 dis. N° J106)
x x x	47200376	ORAL INFLATOR ASSEMBLY (21 - 22 - 23 - 26 - 31 - 33 - 39 - 40)
	47159058	RAPID EXHAUST KIT BC.VEST (34-35-36-37-42-66)
E	47200925	MRS PLUS, PLATE/BUCKLE KIT



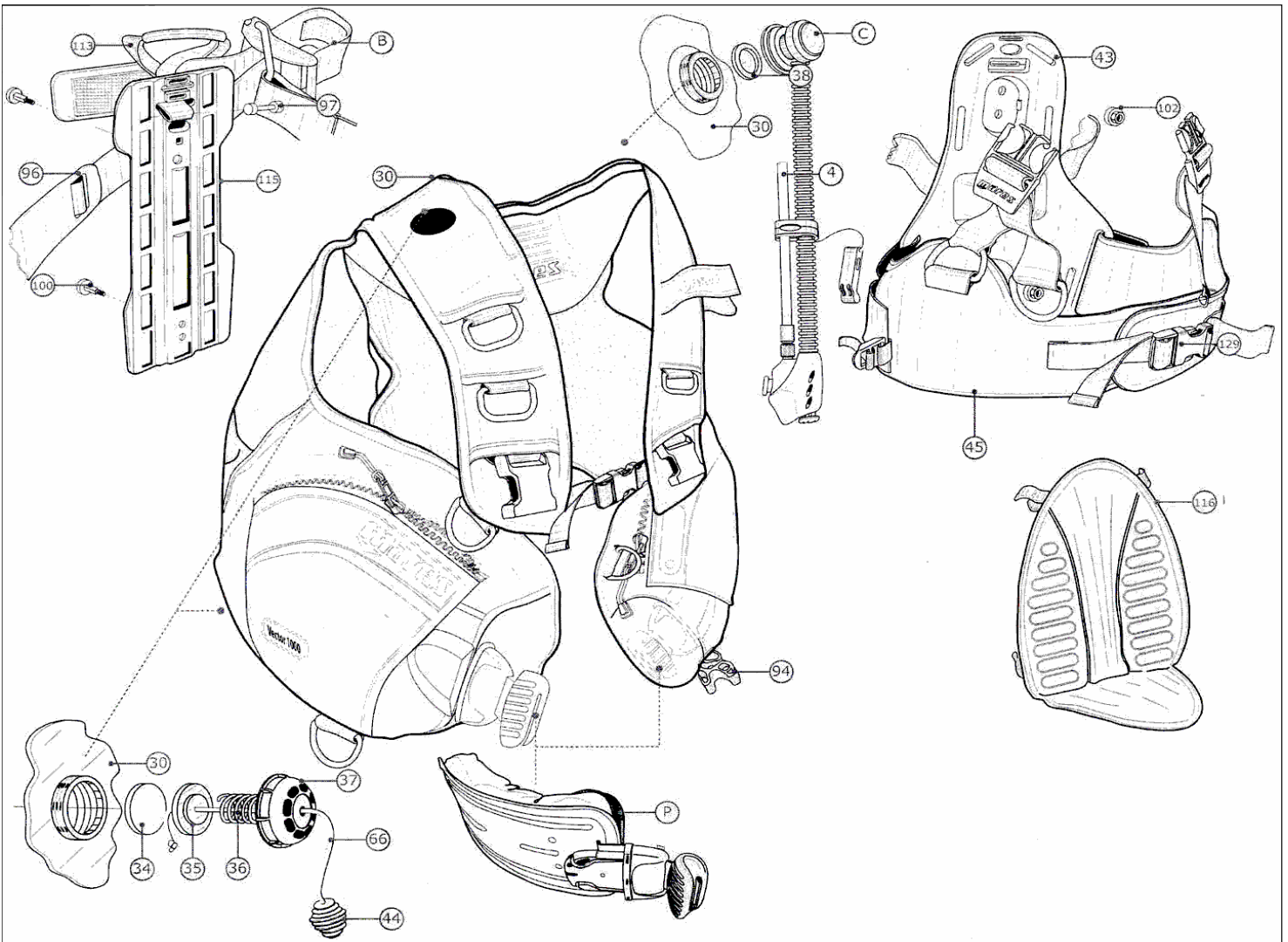
REF	CODE	DESCRIPTION
4	47159681	INT HOSE, LP INFLATOR
21	x x x	LP INTERNAL PIPE 10x14 cm50
22	45179863	HOSE CLAMP 3.6 x 200
23	46200016	VALVE HALKEY ROBERTS 730 ROA
24	46200017	DUST CAP, VALVE Halkey Robert
26	x x x	FLANGE FOR SWIVEL ELBOW H.U.B.
30	N.D.	BLADDER (Tg XS - XL)
31	47158708	RETAINING RING DIN 471 D. 18
33	47110271	O-Ring 3100
34	47159125	SEAL, OVERPRESSURE VALVE
35	47159054	SEAT DISC, OVERPRESSURE VALVE
36	47159150	SPRING, RAPID EXHAUST VALVE
37	47159056	CAP, O P VALVE
39	46110210	O-RING 2056
40	x x x	SWIVELLING ELBOW
43	47200219	BACK PACK
44	47159136	PULL KNOB R.E.VALVE BC. VEST BLACK
45	47200937	WAIST BAND ORIGIN SPORT XS
45	47200943	WAIST BAND ORIGIN SPORT. S
45	47200944	WAIST BAND ORIGIN SPORT M
45	47200945	WAIST BAND ORIGIN SPORT. L
45	47200946	WAIST BAND ORIGIN SPORT XL
66	43169822	LINE, BLACK, DIAM. 1,75

REF	CODE	DESCRIPTION
96	47159311	RUBBER EXTRUSION, TANK BAND
97	47159293	SCREW, TANK BAND
98	47158567	BUCKLE D.R. 40 F DWSR
98	47158566	BUCKLE D.R. 40 M DWSR
100	47158522	SCREW M 6 x 20
102	47159748	FLANGED NUT M6
113	47159609	HANDLE, BACK PACK
115	47159160	COUNTER BACK PACK
116	47200477	BACK PACK PADDING
117	47200906	OPENED D-RING 50 MM
121	47200933	KIT STERNAL STRAP
ASSEMBLIES		
94	415157	HOSE RETAINER CLIP ASSY
A	-----	AIRTRIM CONTROL ASSEMBLY (Tab. N°253 dis n° J105)
B	47159295	TANK BAND ASSEMBLY - SINGLE TANK
C	-----	AIR DUMP VALVE ASSY (Tab. n° 254 dis. N° J106)
G	47200376	ORAL INFLATOR ASSEMBLY (21 - 22 - 23 - 26 - 31 - 33 - 39 - 40)
I	47159058	RAPID EXHAUST KIT BC.VEST (34-35-36-37-42-66)
E	47200925	MRS PLUS, PLATE/BUCKLE KIT



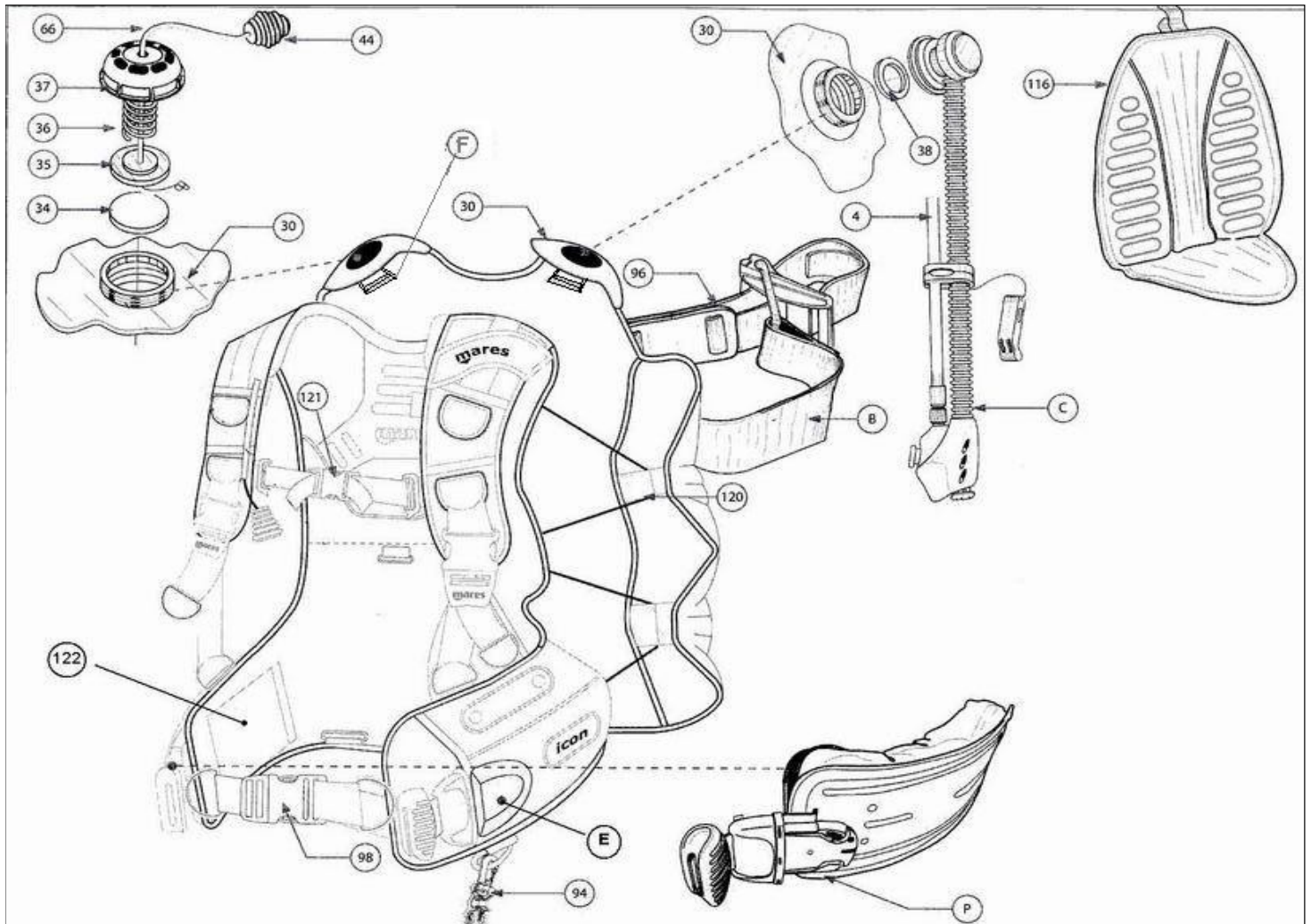
REF	CODE	DESCRIPTION
4	47159681	INT HOSE, LP INFLATOR
30	N.D.	BLADDER (Tg XS - XL)
34	47159125	SEAL, OVERPRESSURE VALVE
35	47159054	SEAT DISC, OVERPRESSURE VALVE
36	47159150	SPRING, RAPID EXHAUST VALVE
37	47159056	CAP, O P VALVE
38	47159124	SEAL, CONNECTING LOCKNUT
42	47158505	PULL KNOB GREY
43	47200219	BACK PACK
44	47159136	PULL KNOB R.E.VALVE BLACK
45	47200881	WAIST BAND DRAGON XS
45	47200882	WAIST BAND DRAGON S
45	47200883	WAIST BAND DRAGON M
45	47200884	WAIST BAND DRAGON L
45	47200885	WAIST BAND DRAGON XL
66	43169822	LINE, BLACK, DIAM. 1,75
96	47159311	RUBBER EXTRUSION, TANK BAND

REF	CODE	DESCRIPTION
97	47159293	SCREW, TANK BAND
100	47158522	SCREW M 6 x 20
102	47159748	FLANGED NUT M6
116	47200797	BACK ACK PADDING
113	47159609	HANDLE, BACK PACK
115	47159160	COUNTER BACK PACK
129	47158561	BUCKLE, DOUBLE REG. 50 F
129	47158560	BUCKLE, DOUBLE REG. 50 M
156	47200879	SHOULDER STRAP SMALL
156	47200880	SHOULDER STRAP BIG
ASSEMBLIES		
B	47159295	TANK BAND ASSEMBLY - SINGLE TANK
C	47159729	ERGO INFLATOR ASSY
x x x	47159058	RAPID EXHAUST KIT BC.VEST (34-35-36-37-42-66)
E	47200925	MRS PLUS, PLATE/BUCKLE KIT
F	47159302	LL 25 BLACK ACETALIC

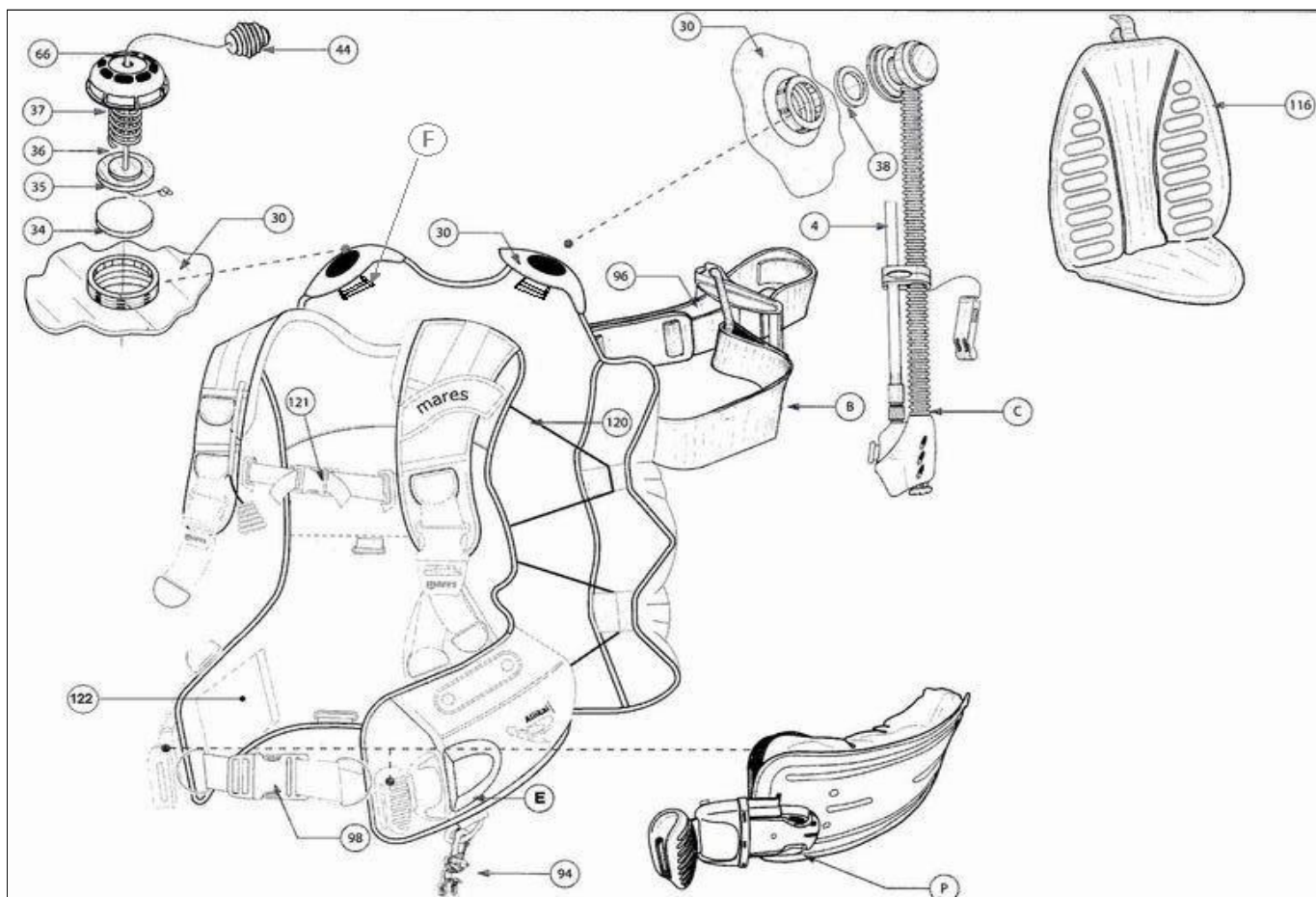


REF	CODE	DESCRIPTION
4	47159681	INT HOSE, LP INFLATOR
30	N.D.	BLADDER (Tg XS - XL)
34	47159125	SEAL, OVERPRESS. VALVE, B.C.V.
35	47159054	SEAT DISC, OP VALVE B.C.VEST
36	47159150	SPRING, RAPID EXHAUST VALVE
37	47159056	CAP, O.P. VALVE, B.C. VEST
38	47159124	SEAL, CONNECTING LOCKNUT B.C.
43	47200219	BACK PACK
44	47158505	PULL KNOB
45	47200881	WAISTBAND XS
45	47200882	WAISTBAND S
45	47200883	WAISTBAND M
45	47200884	WAISTBAND L
45	47200885	WAISTBAND XL
66	43169822	LINE, BLACK, DIAM. 1,75
96	47159311	RUBBER EXTRUSION, TANK BAND, BC

REF	CODE	DESCRIPTION
97	47159293	SCREW TANK BAND
100	47158522	SCREW M6 X 20
102	47159748	FLANGED NUT M6
113	47159609	HANDLE, BACK PACK
115	47159160	COUNTER BACK PACK
116	47200797	BACK PACK PADDING
129	47158561	BUCKLE, DOUBLE REG. 50 F
129	47158560	BUCKLE, DOUBLE REG. 50 M
ASSEMBLIES		
94	415157	HOSE RETAINER CLIP ASSY
B	47159295	TANK BAND ASSEMBLY - SINGLE TANK
C	47159729	ERGO INFLATOR ASSY (Chart N°255 - Draw. N°J107)
E	47200925	MRS PLUS, PLATE/BUCKLE KIT
	47159058	RAPID EXHAUST KIT BC.VEST (34-35-36-37-42-66)



REF	CODE	DESCRIPTION	REF	CODE	DESCRIPTION
4	47159681	INT HOSE, LP INFLATOR	98	47158560	BUCKLE, DOUBLE REG. 50 M
30	47200934	BLADDER	116	47200930	BACK PACK PADDING
34	47159125	SEAL, OVERPRESS. VALVE, B.C.V.	120	47200932	SLINGS
35	47159054	SEAT DISC, OP VALVE B.C.VEST	121	47200933	STERNAL STRAP KIT
36	47159150	SPRING, RAPID EXHAUST VALVE	122	N/D	ICON STRUCTURE
37	47159056	CAP, O.P.VALVE, B.C.VEST	ASSEMBLIES		
38	47159124	SEAL, CONNECTING LOCKNUT B.C.	B	47159295	TANK BAND ASSEMBLY - SINGLE TANK
44	47158505	PULL KNOB	C	47159729	ERGO INFLATOR ASSEMBLY
44	47159136	PULL KNOB R.E.VALVE BLACK			(Chart N°255 - Draw. N°J107)
66	43169822	LINE, BLACK, DIAM. 1,75	x x x	47159058	RAPID EXHAUST KIT (34-35-36-37-44-66)
96	47159311	RUBBER EXTRUSION,TANK BAND,BC	E	47200925	MRS PLUS, PLATE/BUCKLE KIT
98	47158561	BUCKLE, DOUBLE REG. 50 F	F	47159302	LL 25 BLACK ACETALIC



REF	CODE	DESCRIPTION	REF	CODE	DESCRIPTION
4	47159681	INT HOSE, LP INFLATOR	98	47158566	BUCKLE, DOUBLE REG. 40 M DWSR
30	47200934	BLADDER	116	47200930	BACK PACK PADDING
34	47159125	SEAL, OVERPRESS. VALVE, B.C.V.	120	47200931	SLINGS
35	47159054	SEAT DISC, OP VALVE B.C.VEST	121	47200933	STERNAL STRAP KIT
36	47159150	SPRING, RAPID EXHAUST VALVE	122	N/D	ALIIKAI STRUCTURE
37	47159056	CAP, O.P.VALVE, B.C.VEST	ASSEMBLIES		
38	47159124	SEAL, CONNECTING LOCKNUT B.C.	B	47159295	TANK BAND ASSEMBLY - SINGLE TANK
44	47158505	PULL KNOB	C	47159729	ERGO INFLATOR ASSEMBLY
44	47159136	PULL KNOB R.E.VALVE BLACK			(Chart N°255 - Draw. N°J107)
66	43169822	LINE, BLACK, DIAM. 1,75	x x x	47159058	RAPID EXHAUST KIT (34-35-36-37-44-66)
96	47159311	RUBBER EXTRUSION,TANK BAND,BC	E	47200925	MRS PLUS, PLATE/BUCKLE KIT
98	47158567	BUCKLE, DOUBLE REG. 40 F DWSR	F	47159302	LL 25 BLACK ACETALIC

DRAWING NO. : J 151

B.C.VEST KAILA

UPDATED : 12/12/2005

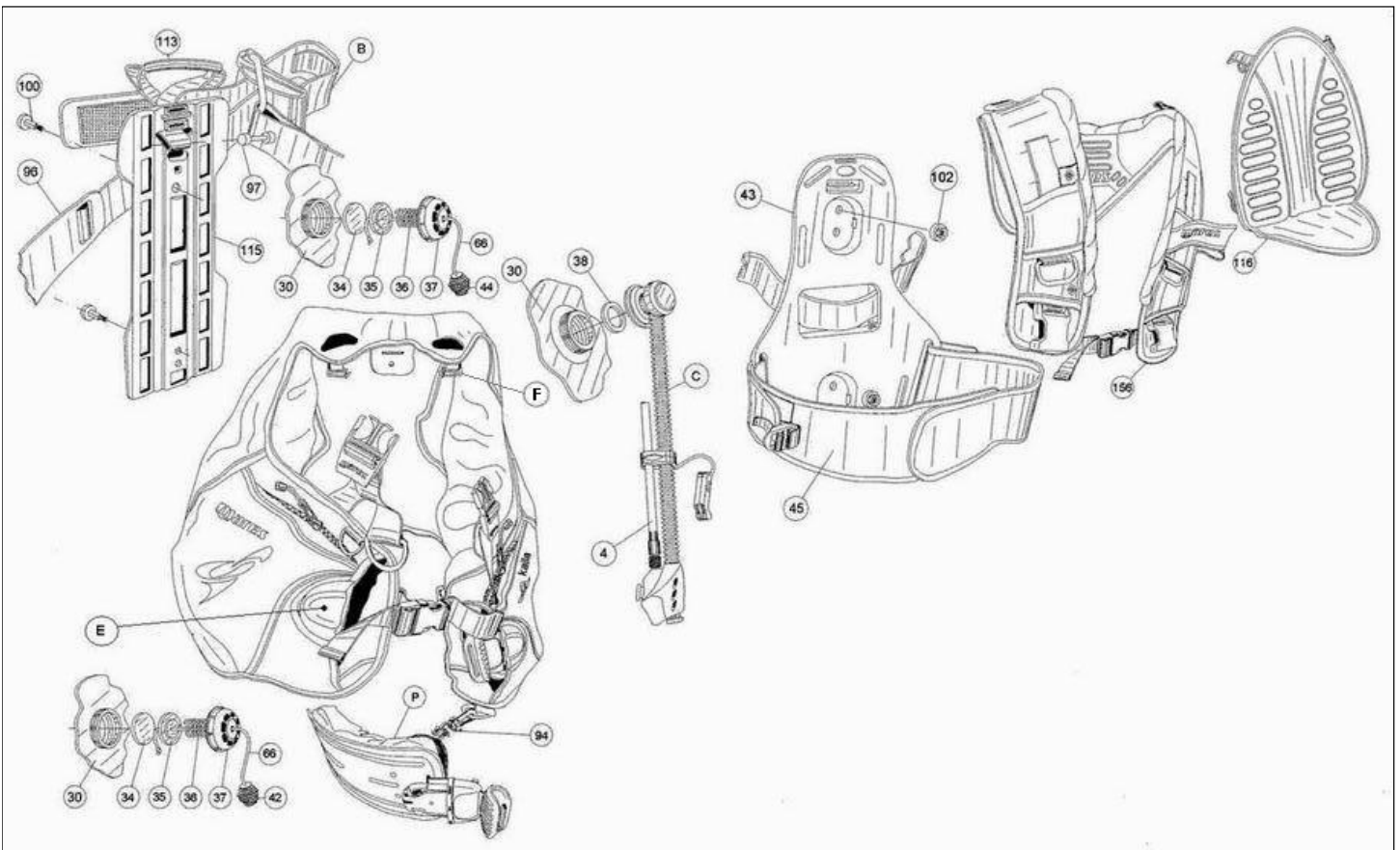


CHART NO. : 269

B.C.VEST KAILA

UPDATED : 22/01/2007

REF	CODE	DESCRIPTION
4	47159681	INT HOSE, LP INFLATOR
30	N/D	KAILA BLADDER
34	47159125	SEAL, OVERPRESS. VALVE, B.C.V.
35	47159054	SEAT DISC, OP VALVE B.C.VEST
36	47159150	SPRING, RAPID EXHAUST VALVE
37	47159056	CAP, O.P.VALVE, B.C.VEST
38	47159124	SEAL, CONNECTING LOCKNUT B.C.
42	47158505	PULL KNOB GREY
43	47200219	BACK PACK 2K2
44	47159136	PULL KNOB R.E.VALVE BLACK
45	47200893	WAISTBAND KAILA XXS
45	47200894	WAISTBAND KAILA XS
45	47200895	WAISTBAND KAILA S
45	47200896	WAISTBAND KAILA M
45	47200897	WAISTBAND KAILA L
66	43169822	LINE, BLACK, DIAM. 1,75
94	47159003	HOSE RETAINER CLIP
96	47159311	RUBBER EXTRUSION,TANK BAND,BC

REF	CODE	DESCRIPTION
97	47159293	SCREW, TANK BAND
98	47158567	BUCKLE, DOUBLE REG. 40 F DWSR
98	47158566	BUCKLE, DOUBLE REG. 40 M DWSR
100	47158522	SCREW M 6 x 20
102	47159748	FLANGED NUT M6
113	47159609	HANDLE, BACK PACK
115	47159160	COUNTER BACK PACK
116	47200747	BACK ACK PADDING
156	47200891	SHOULDER STRAP SMALL
156	47200892	SHOULDER STRAP BIG
ASSEMBLIES		
B	47159295	TANK BAND ASSEMBLY - SINGLE TANK
C	47159729	ERGO INFLATOR ASSEMBLY (Chart N°255 - Draw. N°J107)
x x x	47159058	RAPID EXHAUST KIT(34-35-36-37-44-66)
E	47200925	MRS PLUS, PLATE/BUCKLE KIT
F	47159302	LL 25 BLACK ACETALIC

DRAWING NO. : J 157

B.C.VEST PEGASUS

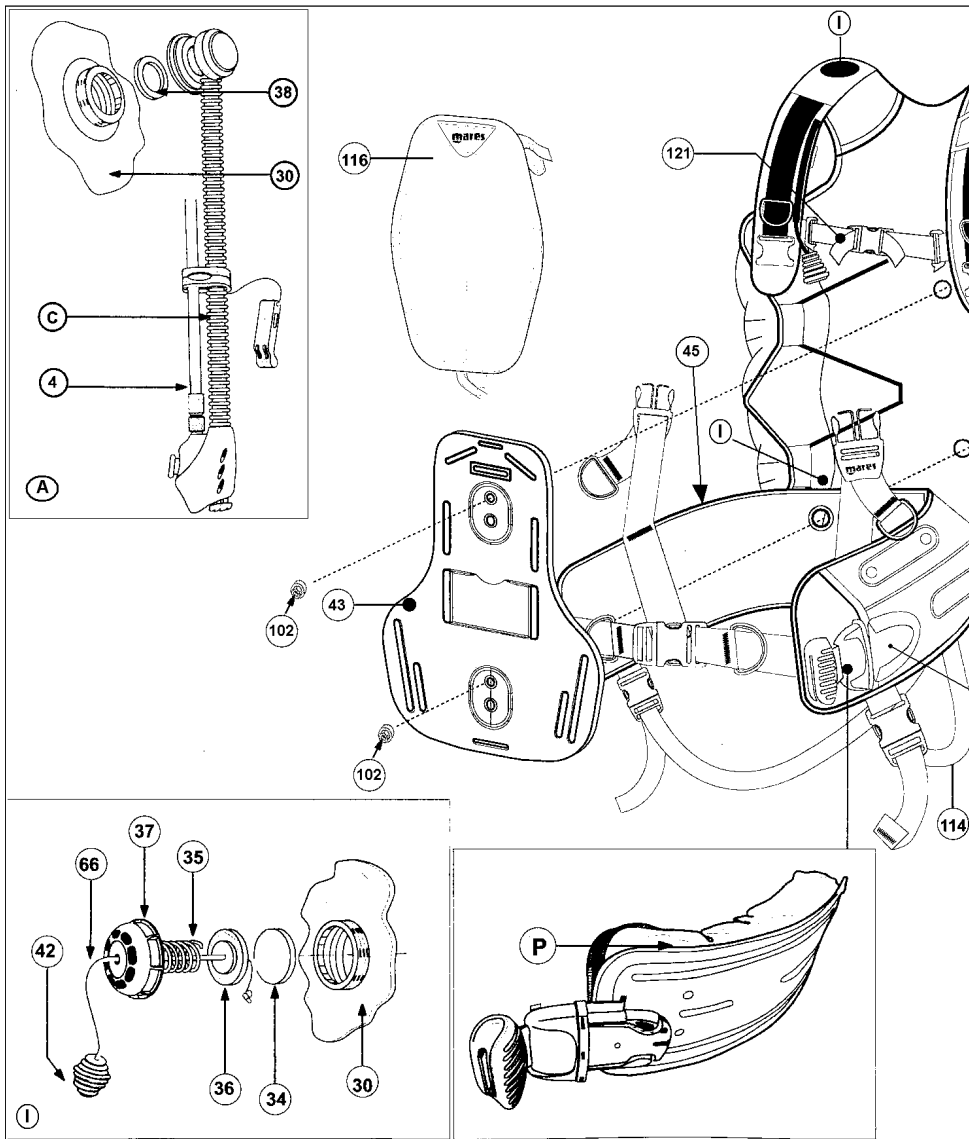


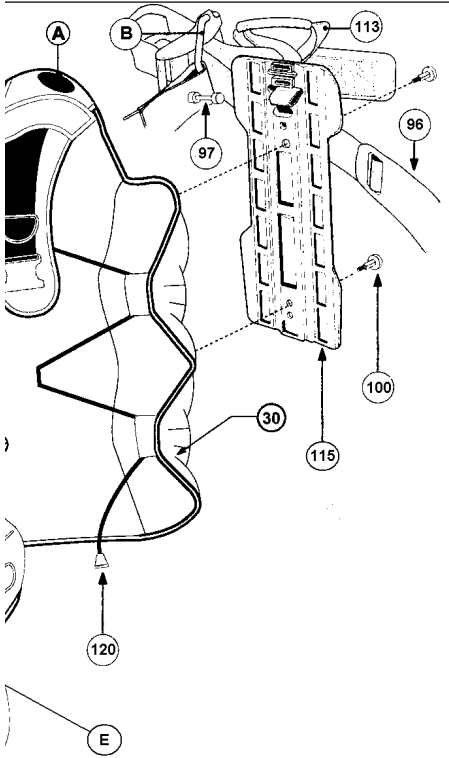
CHART NO. : 275

B.C.VEST PEGASUS

REF	CODE	DESCRIPTION
4	47159681	INT HOSE, LP INFLATOR
30		BLADDER
34	47159125	SEAL, OVERPRESS. VALVE, B.C.V.
35	47159054	SEAT DISC, OP VALVE B.C.VEST
36	47159150	SPRING, RAPID EXHAUST VALVE
37	47159056	CAP, O.P. VALVE, B.C.VEST
38	47159124	SEAL, CONNECTING LOCKNUT B.C.
42	47158505	PULL KNOB GREY
43	47200219	BACK PACK 2K2
45	47200958	WAISTBAND Pegasus XS
45	47200959	WAISTBAND Pegasus S
45	47200960	WAISTBAND Pegasus M
45	47200961	WAISTBAND Pegasus L
45	47200962	WAISTBAND Pegasus XL
66	43169822	LINE, BLACK, DIAM. 1,75
94	47159003	HOSE RETAINER

REF	CODE
96	47159311
97	47159293
100	47158522
102	47159748
113	47159609
114	47200963
115	47159160
116	47200477
120	47200932
121	47200933
129	47158566
B	47159295
A	47159729
I	47159058
E	47200925

UPDATED : 20/12/2007



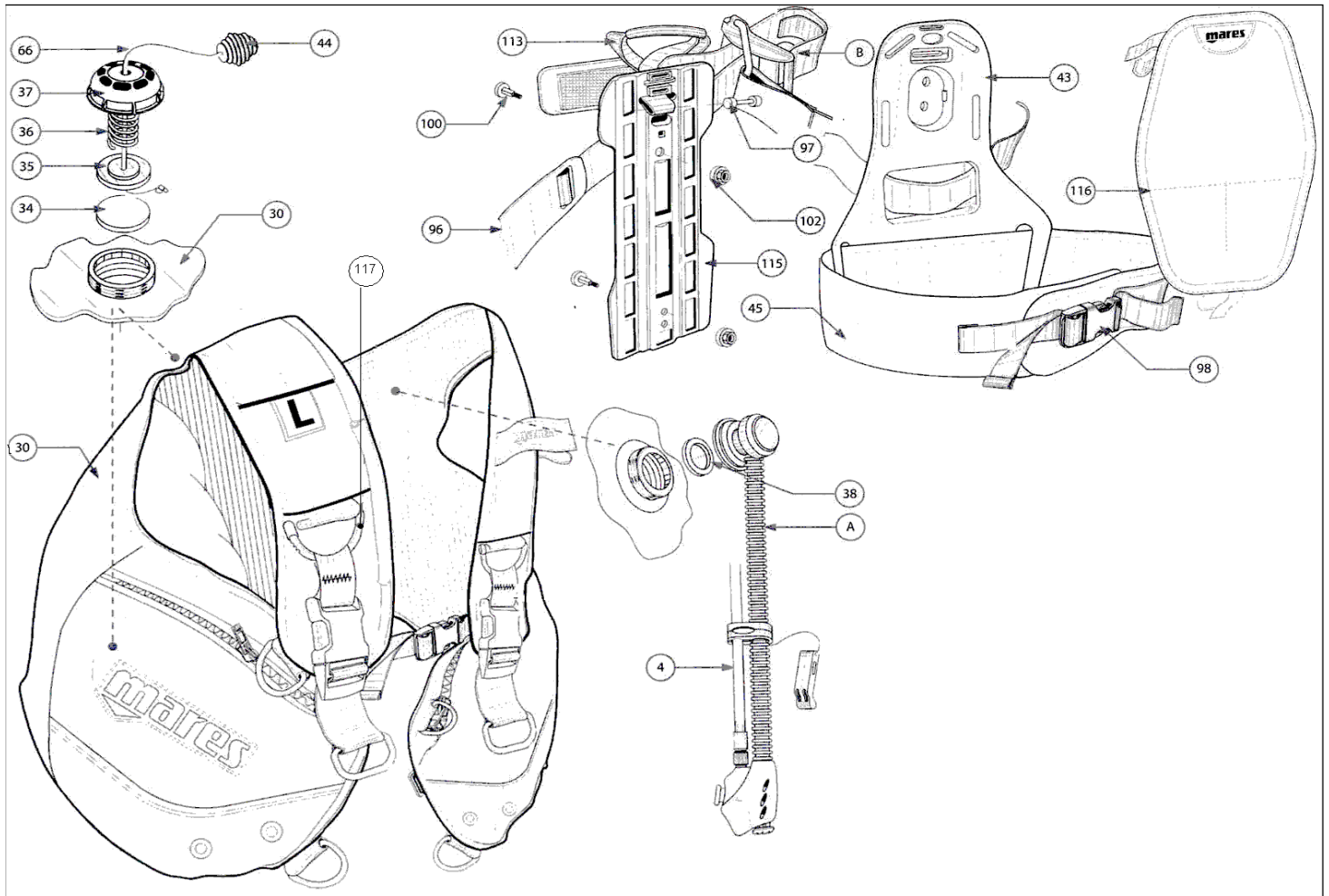
UPDATED : 20/12/2007

DESCRIPTION

RUBBER EXTRUSION,TANK BAND,BC
SCREW TANK BAND
SCREW M6 X 20 TTQST DIN 603 A2
NUT M6 S/S
HANDLE, BACK PACK
Kit Nastro sottocosciale
COUNTER BACK PACK
BACK PACK PADDING
SLINGS
STERNAL STRAP KIT
BUCKLE D.R. 40 M DW SR

ASSEMBLIES

TANK BAND ASSEMBLY
ERGO INFLATOR ASSY, LONG
RAPID EXHAUST KIT BC.VEST
MRS PLUS, PLATE/BUCKLE KIT



REF	CODE	DESCRIPTION	REF	CODE	DESCRIPTION
4	47159681	INT HOSE, LP INFLATOR	66	43169822	LINE, BLACK, DIAM. 1,75
30	N.D.	BLADDER	96	47159311	RUBBER EXTRUSION, TANK BAND, BC
34	47159125	SEAL, OVERPRESS. VALVE, B.C.V.	97	47159293	SCREW TANK BAND
35	47159054	SEAT DISC, OP VALVE B.C.VEST	98	47158567	BUCKLE, DOUBLE REG. 40 F DWSR
36	47159150	SPRING, RAPID EXHAUST VALVE	98	47158566	BUCKLE, DOUBLE REG. 40 M DWSR
37	47159056	CAP, O.P. VALVE, B.C.VEST	100	47158522	SCREW M6 X 20 TTQST DIN 603 A2
38	47159124	SEAL, CONNECTING LOCKNUT B.C.	102	47159748	NUT M6 S/S
43	47200219	BACK PACK	113	47159609	HANDLE, BACK PACK
44	47158505	PULL KNOB GREY	115	47159160	COUNTER BACK PACK
44	47159136	PULL KNOB BLACK, RAPID EXHAUST	116	47200477	BACK PACK PADDING, ORIGIN SPORT
45	47200955	WAISTBAND ORIGIN SPORT XXS	117	47200906	D-RING 50 MM
45	47200937	WAISTBAND ORIGIN SPORT XS	ASSEMBLIES		
45	47200943	WAISTBAND ORIGIN SPORT S	B	47159295	TANK BAND ASSEMBLY
45	47200944	WAISTBAND ORIGIN SPORT M	C	47159729	ERGO INFLATOR ASSY
45	47200945	WAISTBAND ORIGIN SPORT L			(Chart N°255 - Draw. N°J107)
45	47200946	WAISTBAND ORIGIN SPORT XL	x x x	47159058	RAPID EXHAUST KIT(34-35-36-37-44-66)

DRAWING NO. : J 104

B.C.VEST VECTOR ORIGIN

UPDATED : 16/10/2001

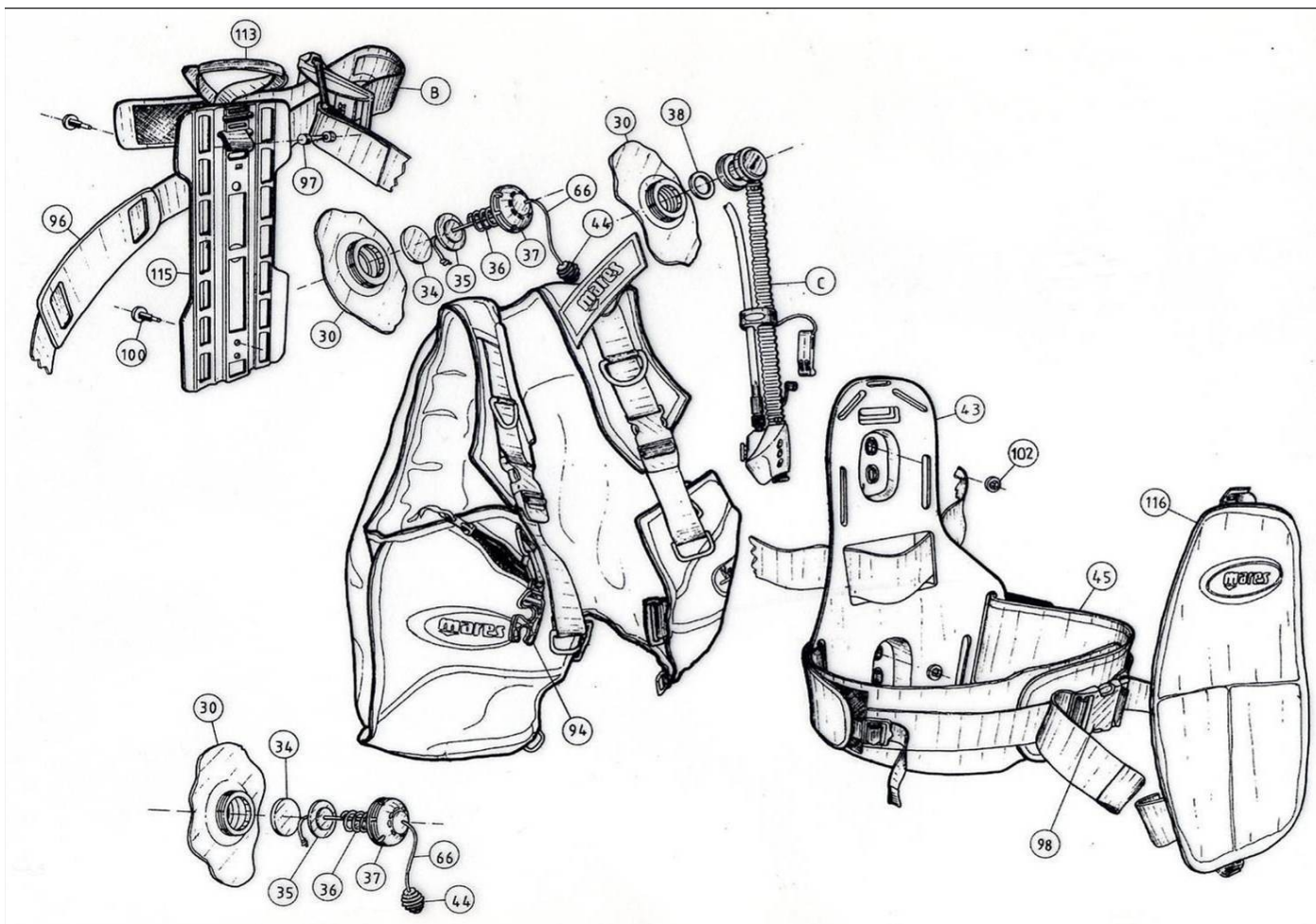


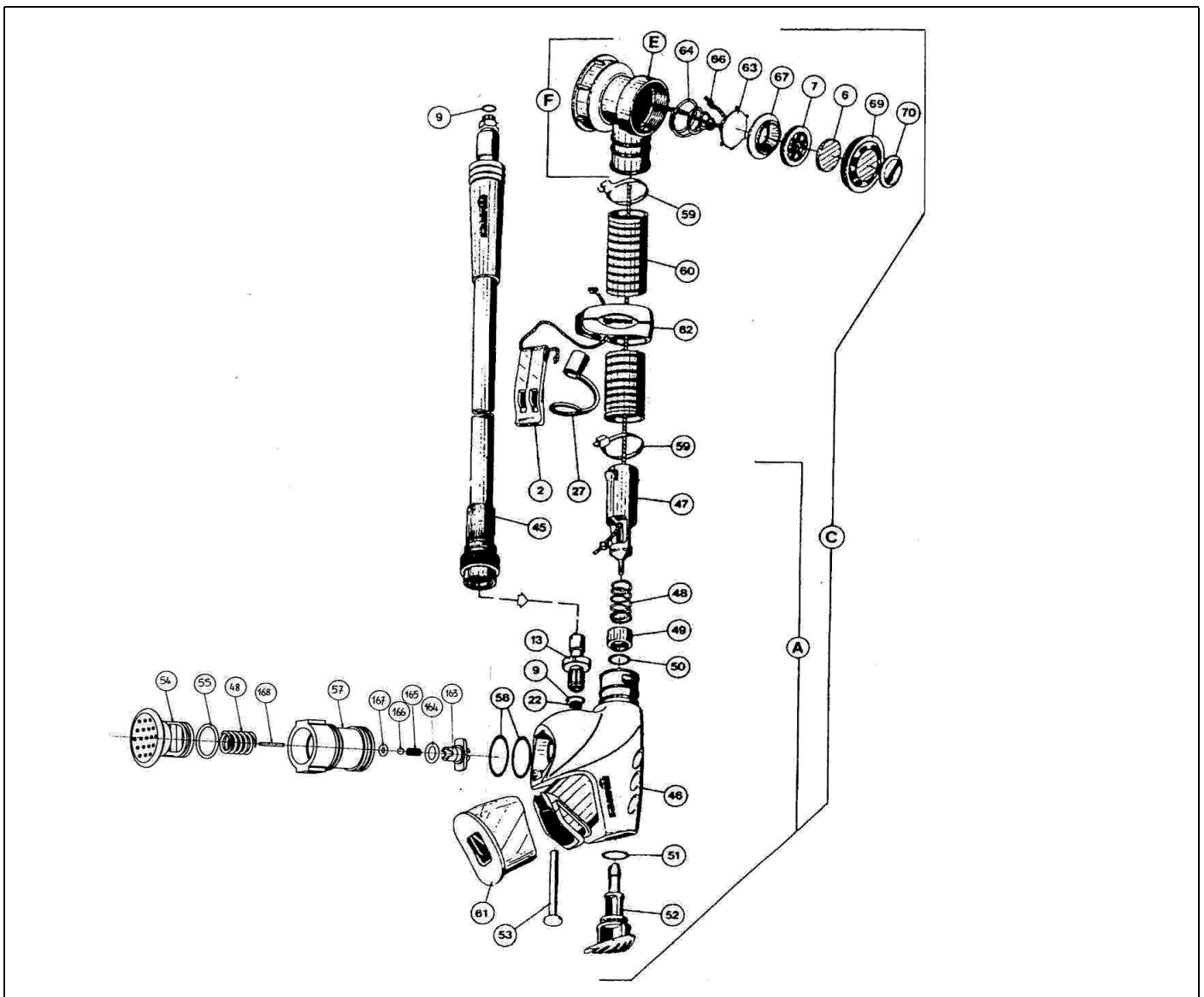
CHART NO. : 252

B.C.VEST VECTOR ORIGIN

UPDATED : 21/01/2007

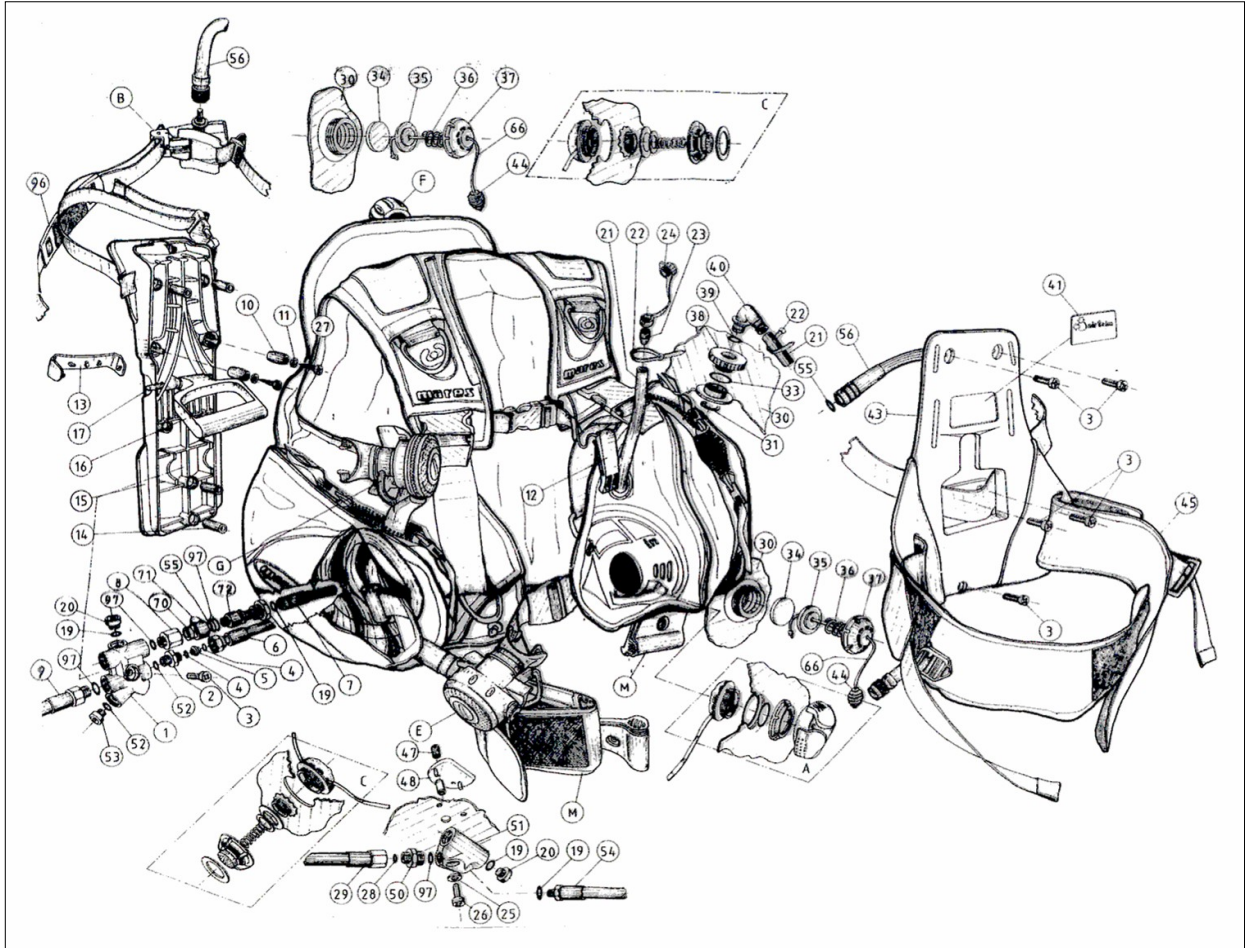
REF	CODE	DESCRIPTION
4	47159681	INT HOSE, LP INFLATOR
30	N.D.	BLADDER
34	47159125	SEAL, OVERPRESS. VALVE, B.C.V.
35	47159054	SEAT DISC, OP VALVE B.C.VEST
36	47159150	SPRING, RAPID EXHAUST VALVE
37	47159056	CAP, O.P. VALVE, B.C.VEST
38	47159124	SEAL, CONNECTING LOCKNUT B.C.
43	47200219	BACK PACK
44	47158505	PULL KNOB GREY
44	47159136	PULL KNOB BLACK, RAPID EXHAUST
45	47200472	WAISTBAND VECTOR 2K3 XS
45	47200473	WAISTBAND VECTOR 2K3 S
45	47200474	WAISTBAND VECTOR 2K3 M
45	47200475	WAISTBAND VECTOR 2K3 L
45	47200476	WAISTBAND VECTOR 2K3 XL
66	43169822	LINE, BLACK, DIAM. 1,75

REF	CODE	DESCRIPTION
94	47159003	HOSE RETAINER
96	47159311	RUBBER EXTRUSION, TANK BAND, BC
97	47159293	SCREW TANK BAND
98	47158567	BUCKLE, DOUBLE REG. 40 F DWSR
98	47158566	BUCKLE, DOUBLE REG. 40 M DWSR
100	47158522	SCREW M6 X 20 TTQST DIN 603 A2
102	47159748	NUT M6 S/S
113	47159609	HANDLE, BACK PACK
115	47159160	COUNTER BACK PACK
116	47200325	BACK PACK PADDING
ASSEMBLIES		
B	47159295	TANK BAND ASSEMBLY
C	47159729	ERGO INFLATOR ASSY
(Chart N°255 - Draw. N°J107)		
x x x	47159058	RAPID EXHAUST KIT BC.VEST
(34-35-36-37-44-66)		



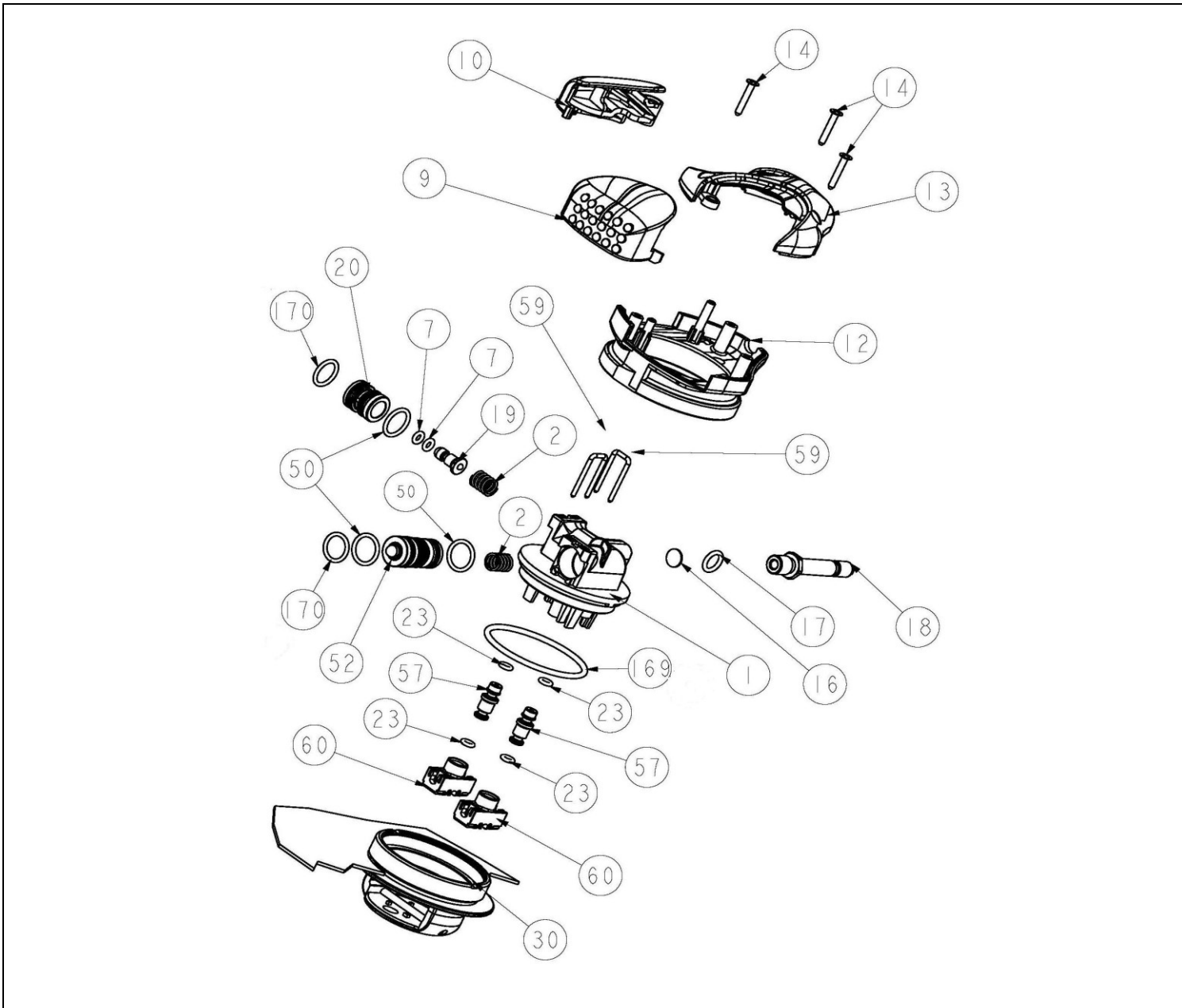
REF	CODE	DESCRIPTION
2	47159020	WHISTLE, B.C. VESTS
6	47159070	EXHAUST DIAPHRAGM, LP INFLAT.
7	F	DIAPHRAGM CASE Lp Inflator
9	46110106	OR 106
13	47159659	QUICK-CONNECTOR MALE
22	47159146	FILTER, LP INFLATOR
27	47159712	DUST CAP, ERGO INFLATOR
45	47159681	HOSE, ERGO LP INFLATOR
46	47159700	INFLATOR BODY
47	47159702	BUSHING, INFL.LINE RETAINER
48	46185011	SPRING
49	47159701	EXHAUST BUSHING, ERGO INFLATOR
50	46110241	OR 2-109
51	46110115	OR 115
52	47159717	PURGE BUTTON ERGO 99 SILVER
53	47159707	BUTTON PIN, ERGO INFLATOR
54	D	INFLATING BUTTON - RED
55	46110210	OR 2056
57	G	INFLATION VALVE
58	46110221	OR 2081
59	45179863	CLAMP CORRUGATED HOSE
60	47159709	CORRUGATED HOSE, ERGO INFLATOR
61	47159705	MOUTHPIECE, ERGO INFLATOR
62	47159711	HOSE RETAINER
63	F	RUBBER DISK
64	F	SPRING, PURGE BUTTON

REF	CODE	DESCRIPTION
66	F	LINE DIAM. 1,75 black
67	47159133	R.E. VALVE SEAL, B.C. VEST
69	F	R.E. Valve cover
70	46184322	LABEL
163	G	O-Ring seat
164	46110204	O-Ring 2021
165	G	SPRING INFLATING VALVE
166	G	STEEL BALL 3/16"
167	46110101	OR 2012
168	D	PIN ERGO 2K5
ASSEMBLIES		
A	47158504	ERGO LP INFLATOR WITHOUT HOSE
C	47159729	ERGO INFLATOR ASSEMBLY WITHOUT LP HOSE (A - F -2-27-59-60-62)
D	47200808	INFLATING BUTTON assy ((54 - 55 - 168)
F	47158503	R.EXHAUST VALVE ASSEMBLY DIA 23 (E-6-7-63-64-66-67-69-70)
G	47200807	INFLATION VALVE (57-58-163-164-165-166-167)
H	47200806	SERVICE KIT Ergo 2K5 (9-22-50-51-55-58-59-164-167-OR 2031)
###	47200829	UPDATING KIT ERGO 2k5 (D-G-OR 2031-9-22-50-51-59)
NOTE		
	46110107	O RING OR 2031 FOR HOSE QUICK CONNECTOR



REF	CODE	DESCRIPTION
1	47158706	7-WAY MANIFOLD
2	47158724	CONNECTOR 7/16 UNF
3	45111016	SCREW M 5 X 20
4	46110242	O-RING 2-003
5	44172073	HP HOSE SWIVEL WITH O-RING
6	47158736	H.P. HOSE, 55 cms
7	47158735	HOSE L.P. 3/8" QUICK CONNECTOR 50 cms
7	47158734	HOSE L.P. 3/8" QUICK CONNECTOR 45 cms
8	47158726	CONNECTOR 1/2 UNF 3/8"
9	47158729	HOSE L.P. 1/2" - 1/2" swivelling
10	46200007	ROLLER
11	45111017	WASHER D.4.3UNI-6593DIN-126
12	47159020	WHISTLE, B.C. VESTS
13	46200015	GRIP INSERT
15	46200009	PLATE TANK SUPPORT
16	46200008	HANDLE FOR AT COUNTERBACKPACK
17	47158715	ROD 5X80 MM
19	46110106	OR 106
20	46185204	LP PLUG, 3/8" UNF
21	x x x	INTERNAL TUBE
22	45179863	CLAMP CORRUGATED HOSE
23	46200016	Valve Halkey Roberts 730 ROA
24	46200017	DUST CAP VALVE HALKEY ROBERT
25	45111018	WASHER D. 5.3 UNI 6592 DIN 125/A
26	45111015	SCREW M 4 X 14 TCC
27	45111003	SCREW 2,9 X 9,5 UNI 6954 71
28	46110205	OR 2025
29	47158731	HOSE L.P. 1/2"-9/16" 50 cms (L-XL)
29	47158730	HOSE L.P. 1/2" - 9/16" 43 cms (S-M)
30	n/a	VEST HUB AVANTGARDE (S- XL)
31	47158708	RETAINING RING DIAM. 18
33	47110271	O-RING 3100
34	47159125	SEAL, OVERPRESS. VALVE, B.C.V.
35	47159054	SEAT DISC, OP VALVE B.C.VEST
36	47159150	SPRING, RAPID EXHAUST VALVE
37	47159056	CAP, O.P.VALVE, B.C.VEST
38	x x x	FLANGE FOR SWIVEL ELBOW
39	46110210	O-Ring 2056
40	x x x	SWIVELLING ELBOW

REF	CODE	DESCRIPTION
41	47200095	LABEL
43	46200024	BACK PACK, H.U.B
44	47159136	PULL KNOB R.E.VALVE BC. VEST
44	47158505	PULL KNOB GREY
45	47200269	WAISTBAND S
45	47200270	WAISTBAND M
45	47200271	WAISTBAND L
45	47200272	WAISTBAND XL
47	47158713	TAPEX 073M4 INSERT
48	46200000	SUPPORT FOR 4 WAY MANIFOLD
50	47158723	CONNECTOR 1/2 UNF 9/16"
51	47158705	4-WAY MANIFOLD
52	46110108	OR 108
53	46185205	HP PLUG 7/16"
54	47158732	HOSE LP 3/8"-9/16" CM 70 SOFT
55	46110106	O-R 106
56	47200283	LP HOSE QUICK CONNECTION
66	43169822	LINE, BLACK, DIA 1.75
70	46200277	SWIVEL SPACER BUSHING, HUB AVANTGARDE
71	46200189	SWIVELLING CONNECTOR D.20
72	46200267	PIN, SWIVEL HUB AVANTGARDE
96	47159311	RUBBER EXTRUSION,TANK BAND,BC
97	46110215	OR 2043
ASSEMBLIES		
***	46200148	SERVICE KIT HOSE/MANIFOLD HUB (4-19-28-52-97-OR 114-OR 2031)
x x x	47200376	Oral Inflator ASSEMBLY, H.U.B. (21 - 22 - 23 - 31 - 33 - 38 - 39 - 40)
***	46200407	Kit Swivel H.U.B. (19 - 56 - 70 - 71 - 72 - 97)
D	----	AIRTRIM INFLATOR H.U.B. - Refer to chart 253 drawing J 105
G	----	Octopus PROTON: refer to chart 114 drawing E 24
A	----	1st STAGE HUB: refer to chart 20 drawing E 11
G	----	2° Stage Proton metal:refer to chart 118 drawing E 28
H	----	Air Dump valve: Refer to chart 254 Drawing J106
K	----	AIR LOCK refer to chart 235 drawing J86
P	417950	MRS WEIGHT SYSTEM (M-L-XL)



REF	CODE	DESCRIPTION
1	47200731	CONTROL BODY A.T. 2003
2	47200744	SPRING PUSH BUTTON A.T. 2003
7	46110101	O-R 2012
9	47200785	DEFLATION BUTTON A.T. - (GREY)
10	47200784	INFLATION BUTTON A.T. - (BLACK)
12	47200726	BOTTOM COVER A.T. 2003
13	47200296	TOP COVER
14	45111004	SCREW 2,9 x 19
16	47159146	FILTER, LP INFLATOR
17	46110106	O-R 106
18	47200724	QUICK CONNECTOR MALE A.T. 2003
19	47200713	PURGE BUTTON
20	47200716	INFLATE BUTTON
23	46110102	O-RING 2015
50	46110114	O-RING 114

REF	CODE	DESCRIPTION
52	47200738	BUSHING PURGE A.T. 2003 cpl
57	47200718	O-RING HOUSING
59	47200720	FASTENING FORK
60	47200710	LP 1-WAY INSERT
169	47200868	O-RING 3187
170	46110211	O-RING 2050
ASSEMBLIES		
###	47200733	Control assembly 2003 (1-2-7-16-17-18-19-20-23-169-50-52-57-59-170)
===	47200734	LP PIPE ASSEMBLY 45 cms, AIRTRIM (24-25-26-36)
===	47200735	LP PIPE ASSEMBLY 60 cms, AIRTRIM
===	47200736	LP PIPE ASSEMBLY 75 cms, AIRTRIM
===	47200737	LP PIPE ASSEMBLY 120 cms, AIRTRIM
***	47200760	SERVICE KIT AIRTRIM ASSEMBLY 2003 (7-16-17-23-50-52-169-170)

DRAWING NO. : J106

AIR DUMP VALVE 2003

UPDATED : 22/01/2007

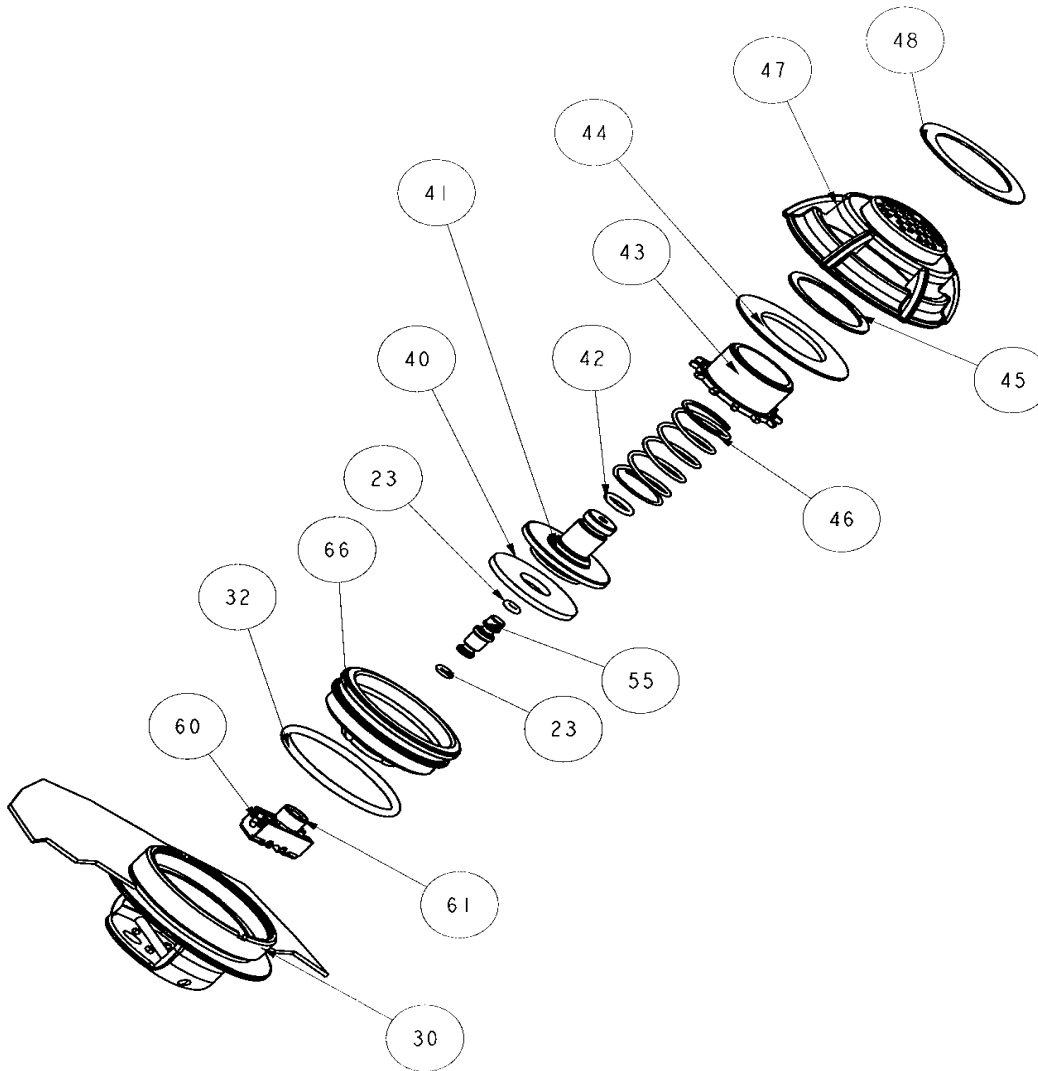


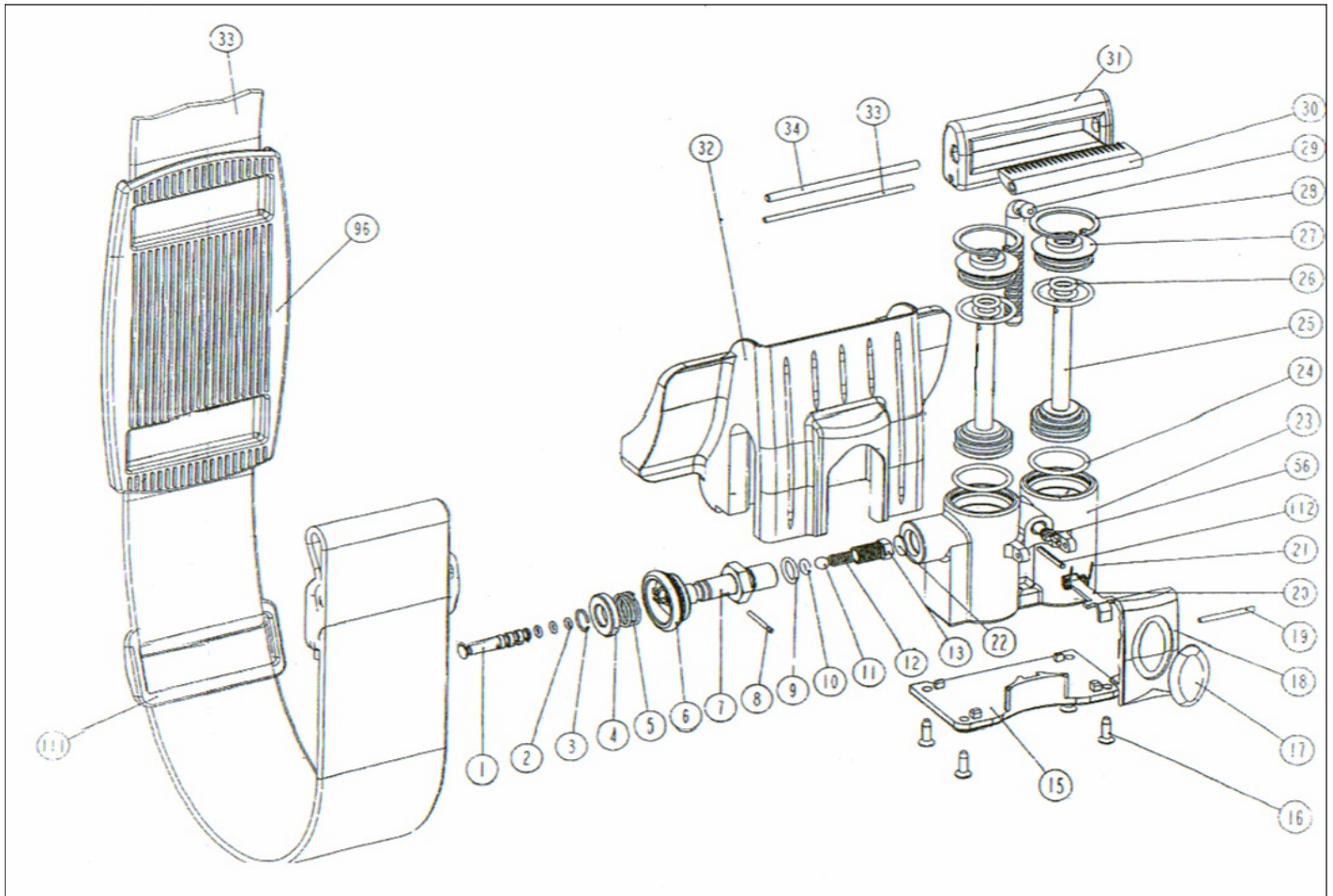
CHART NO. : 254

AIR DUMP VALVE 2003

UPDATED : 22/01/2007

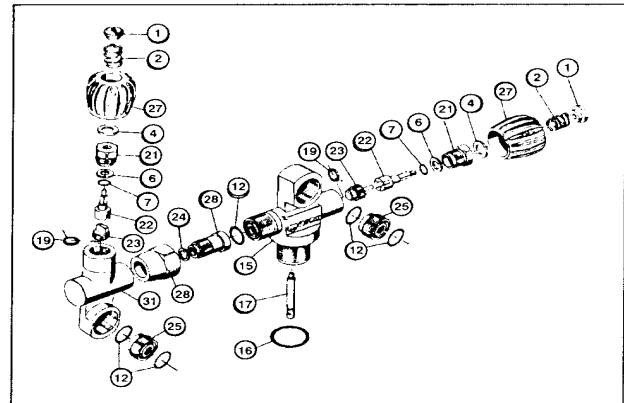
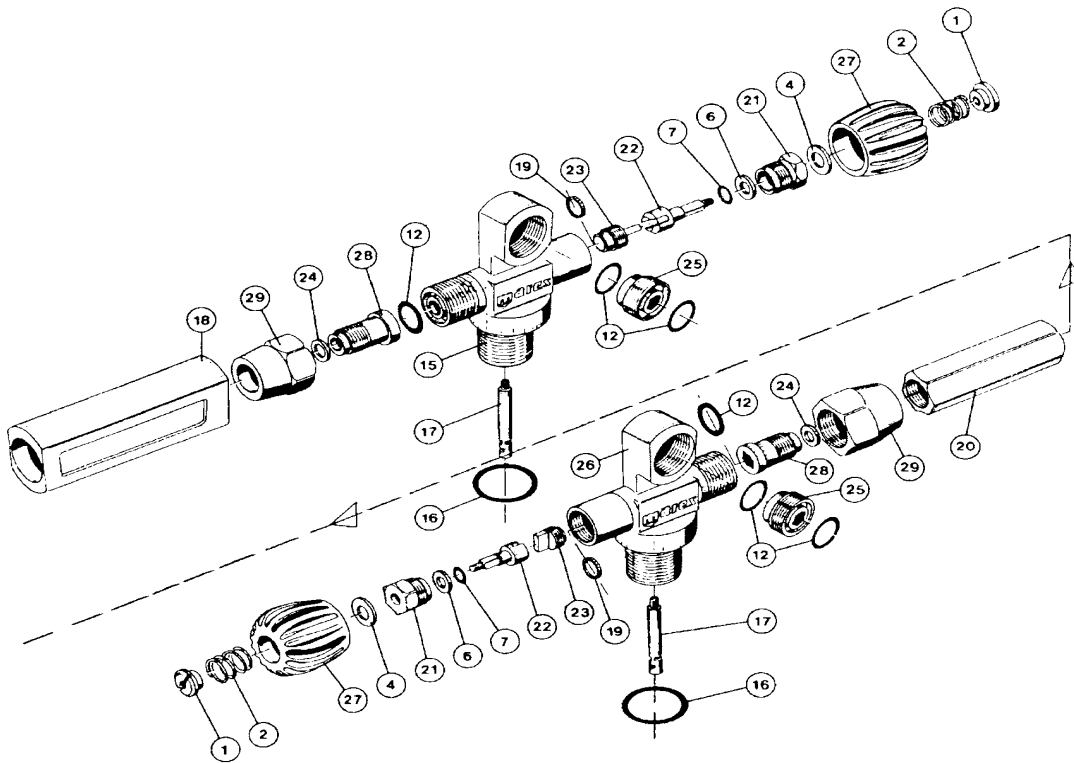
REF	CODE	DESCRIPTION
23	46110102	O-RING 2015
30		BLADDER
32	47200723	O-RING 3175
40	47158727	SEALING PLATE (DISK)
41	47200725	PISTON VALVE A.T. 2003
42	46110110	O-R 2037
43	46200026	NUT DIAPHRAGM
44	47158728	DIAPHRAGM
45	47158737	WASHER
46	47158701	SPRING PNEUMATIC VALVE
47	47200727	BEZEL POPPET (VALVE RING) 2003
48	47200564	LABEL EXHAUST VALVE HUB

REF	CODE	DESCRIPTION
55	47200717	OR HOUSING SPLIDLE CPL
60	47200710	LP ONE WAY INSERT
61	47200709	LP TWO WAY INSERT
66	47200711	VALVE SEAT 2003
ASSEMBLIES		
***	47200759	SERVICE KIT AIR DUMP VALVE 2003 (23 - 32 - 42 - OR 1212 - OR 2056 - 3100)
===	47200734	LP PIPE ASSEMBLY 45 cms, (24-25-26-36)
===	47200735	LP PIPE ASSEMBLY 60 cms, AIRTRIM
===	47200736	LP PIPE ASSEMBLY 75 cms, AIRTRIM
===	47200737	LP PIPE ASSEMBLY 120 cms, AIRTRIM



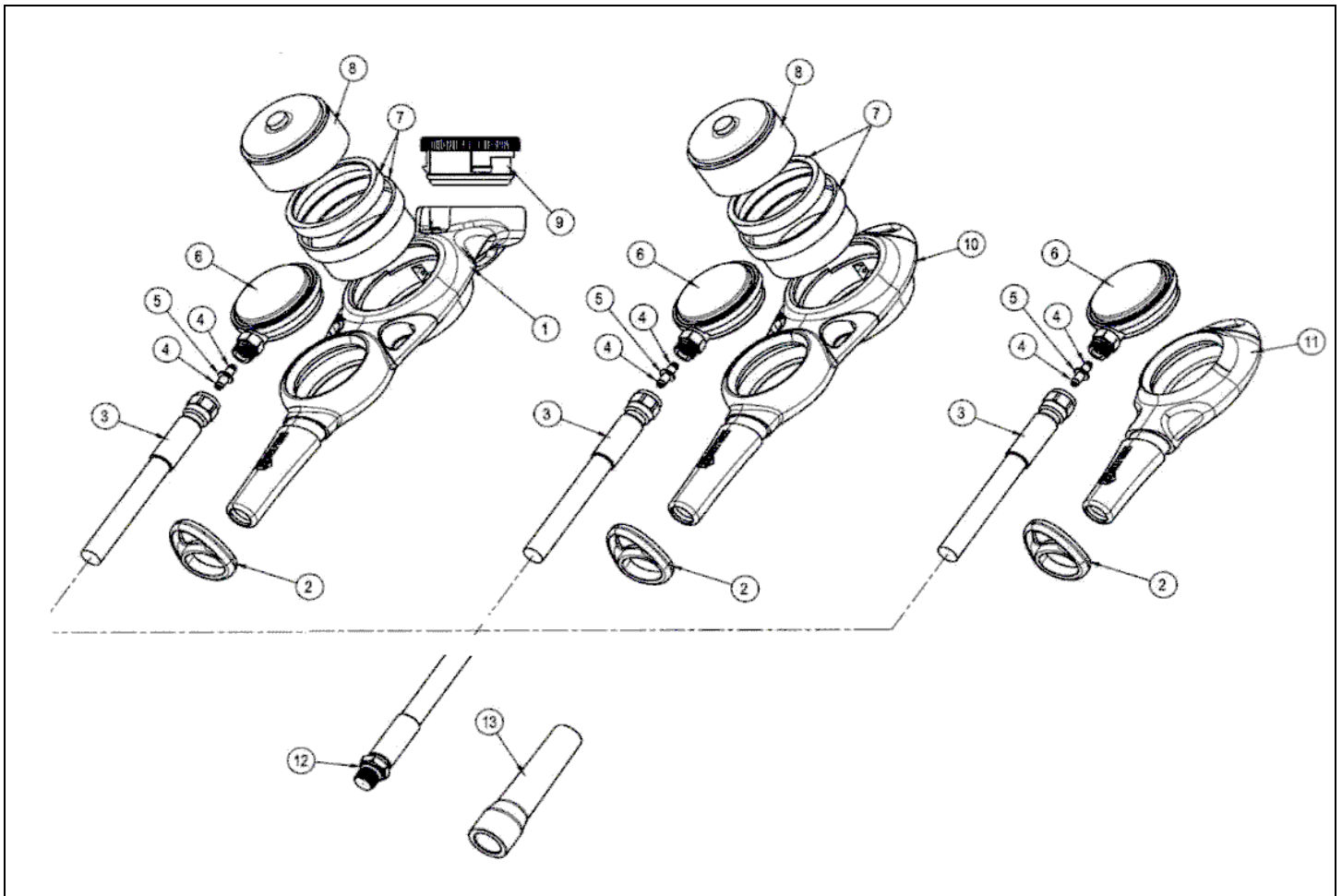
REF	CODE	DESCRIPTION
1	^^^	ROD
2	^^^	O-RING 0025 - I
3	^^^	METAL RING
4	^^^	WASHER
5	^^^	SPRING
6	^^^	RING NUT
7	^^^	QUICK-CONNECTOR MALE
8	^^^	ROD 1,5 x 14
9	46110106	O-RING 106
10	46110201	O-RING 2010
11	^^^	STEEL 3/16
12	^^^	SPRING VALVE CONNECTOR
13	^^^	VALVE CONNECTOR
15	47200256	COVER, PISTON HOUSING
16	45111010	SCREW 2,9X9,5
17	47200282	LABEL MARES
18	47200255	EXHAUST LEVER
19	47200274	PIN EXHAUST LEVER 2X21
20	47200250	MECHANICAL STOP
21	47200248	SPRING EXHAUST LEVER
22	47159146	FILTER
23	47200239	PISTON BODY
24	46110225	OR 2068

REF	CODE	DESCRIPTION
25	47200278	PISTON
26	46110205	OR 2025
27	47200281	PISTON PLUG
28	47200249	RETAINING RING
29	47200277	RACK , STAINLESS STEEL
30	///	LEVER
31	///	BUCKLE
32	47200254	PISTON SHELL
33	47200275	PIN BUCKLE 2X59
34	///	PIN FOR BUCKLE 3 x 59
35	47200253	BAND
56	47158584	VALVE
96	47159311	TANK BAND PROTECTION
111	45173130	STRAP HOLDER BLACK TG50 N
112	47200300	ELASTIC PIN 2X16
ASSEMBLIES		
///	47200378	AIRLOCK BUCKLE ASSEMBLY (30 - 31 - 34)
^^^	47200377	QUICK CONNECTOR AIRLOCK (1-2-3-4-5-6-7-8-9-10-11-12-13)
	47200382	SERVICE KIT, AirLock (9 - 22 - 24 - 26 - 56 - ^^ - OR 2031)



REF	CODE	DESCRIPTION
1	45180701	MILLED WASHER
2	45180702	HANDWHEEL SPRING
4	45180704	NYLON WASHER
6	45180706	TEFLON WASHER
7	46110205	OR 2025
7	46110411	OR 2025 Viton 010-9707
12	46110119	OR 3050
12	46110421	OR 3050 VITON
15	D	BODY VALVE
16	46110216	OR 4100 SH 90
16	46110423	OR 4100 SH 90 VITON
17	45181054	FILTER SPOUT, TANK VALVE
19	45180719	COPPER WASHER
21	45180721	VALVE LOCK HEX NUT
22	45180722	VALVE SHAFT
23	45180723	SEAT HOLDER ASSEMBLY

REF	CODE	DESCRIPTION
24	46110107	OR 2031
25	46179269	V DIN CONNECTOR
27	45180727	RUBBER HANDWHEEL BLACK
28	45180728	TANG
29	45180729	CENTRAL NUT DOUBLE CONNECTION
31	45180731	DOUBLE CONNECTION BODY,
ASSEMBLIES		
D	45180922	SINGLE TANK VALVE ASSY, SINGLE CONN
E	45180924	SINGLE TANK VALVE ASSY, DOUBLE CONN
***	45180750	SET OF GASKETS, DOUBLE TANK VALVE
***	45180751	SET OF GASKETS, SINGLE TANK VALVE
---	46179258	DIN-INT CONNECTOR ASSY
ACCESSORIES		
---	46179260	DIN NYLON CAP, EXT. THREADING
---	45180700	PLUG, 2ND CONNECTION



REF	CODE	DESCRIPTION	REF	CODE	DESCRIPTION
1	44200635	BOOT CONSOLE Mission 3	8	44200476	DEPTH GAUGE MODULE MARES FEET
2	44200670	RING CONSOLE	9	44200179	COMPASS Supreme 2K2 MODULE
3	44200502	H.P. HOSE DIAM. 11	10	44200634	BOOT CONSOLE Mission 2
4	46110410	O-ring 2-003 x swivel Viton	11	44200618	BOOT CONSOLE Mission 1
5	45172102	Swivel for Nitrox	12	46110108	OR 108
6	44200384	PRESSURE GAUGE CAPS. BAR	12	46110404	OR 108 Viton
6	44200470	PRESSURE GAUGE CAPS. PSI	13	44200485	SOFT HOSE PROTECOR 2K4
7	44200637	ADAPT. BUSHING DEPTH GAUGE	ACCESSORIES		
8	44200475	DEPTH GAUGE MODULE MARES MT	G	45200248	GRADUATED PLASTIC RING COMPASS

DRAWING NO. : S 285

CONSOLE / COMPUTER PUCK

UPDATED : 20/12/2007

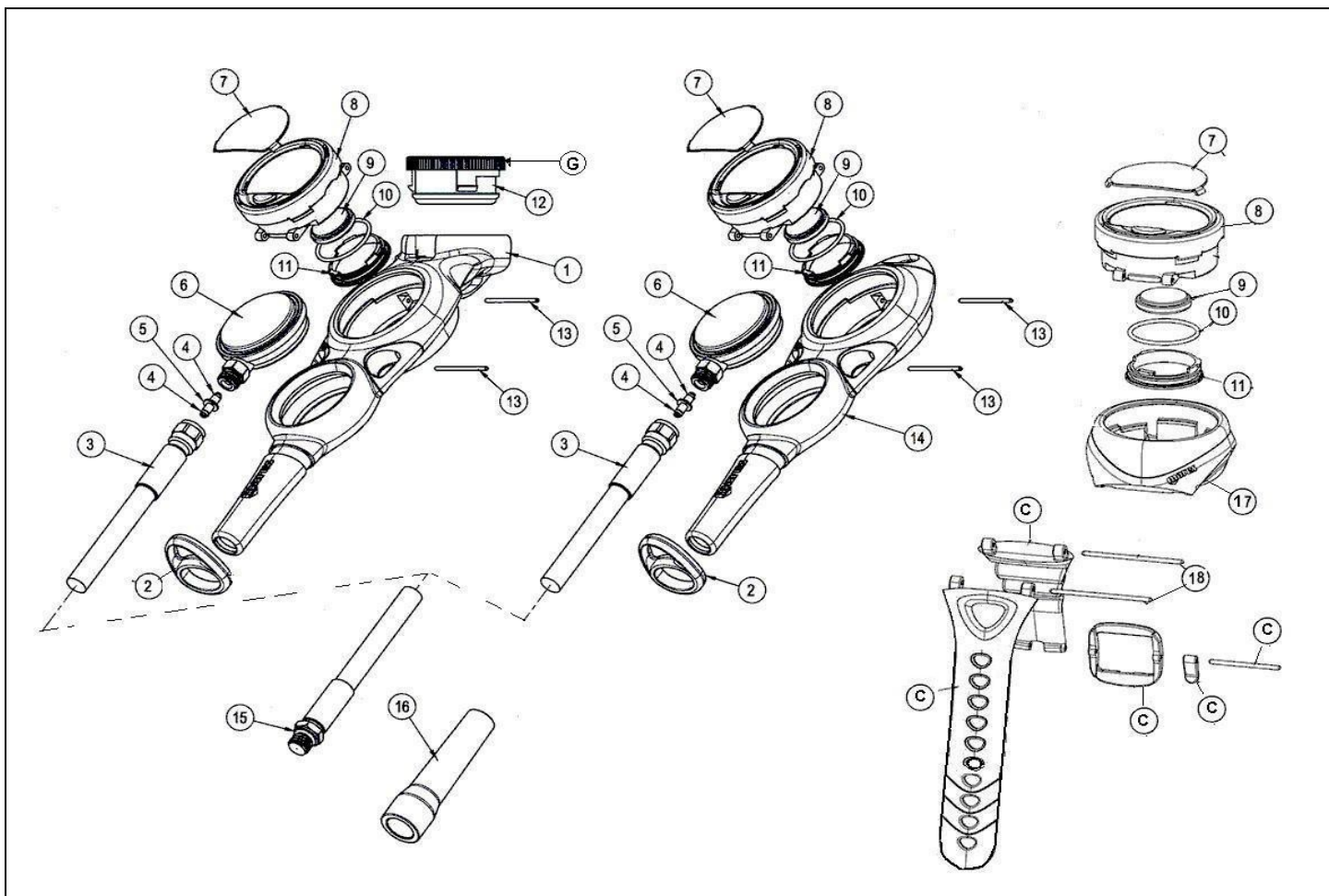


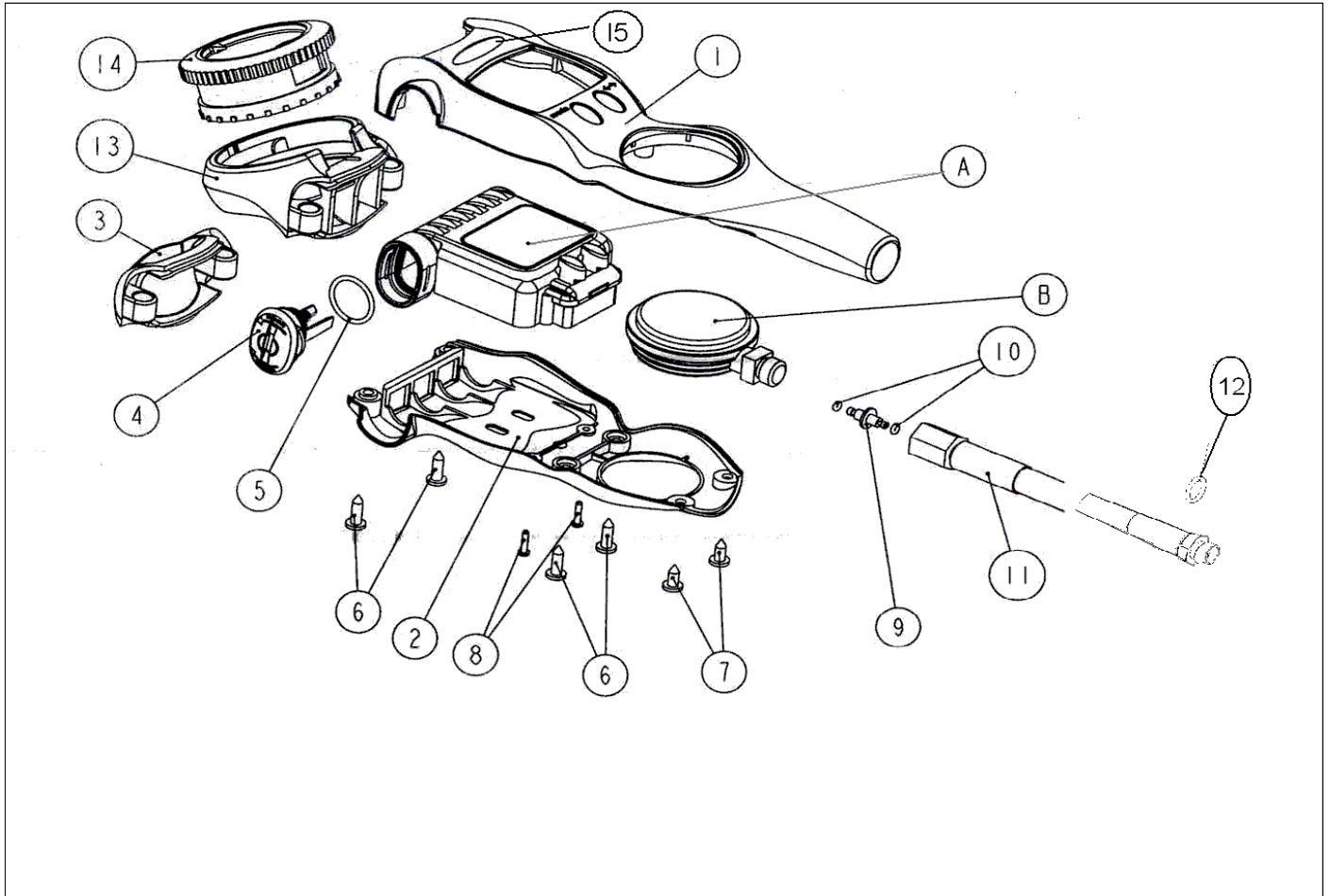
CHART NO. : 609

CONSOLE / COMPUTER PUCK

UPDATED : 20/12/2007

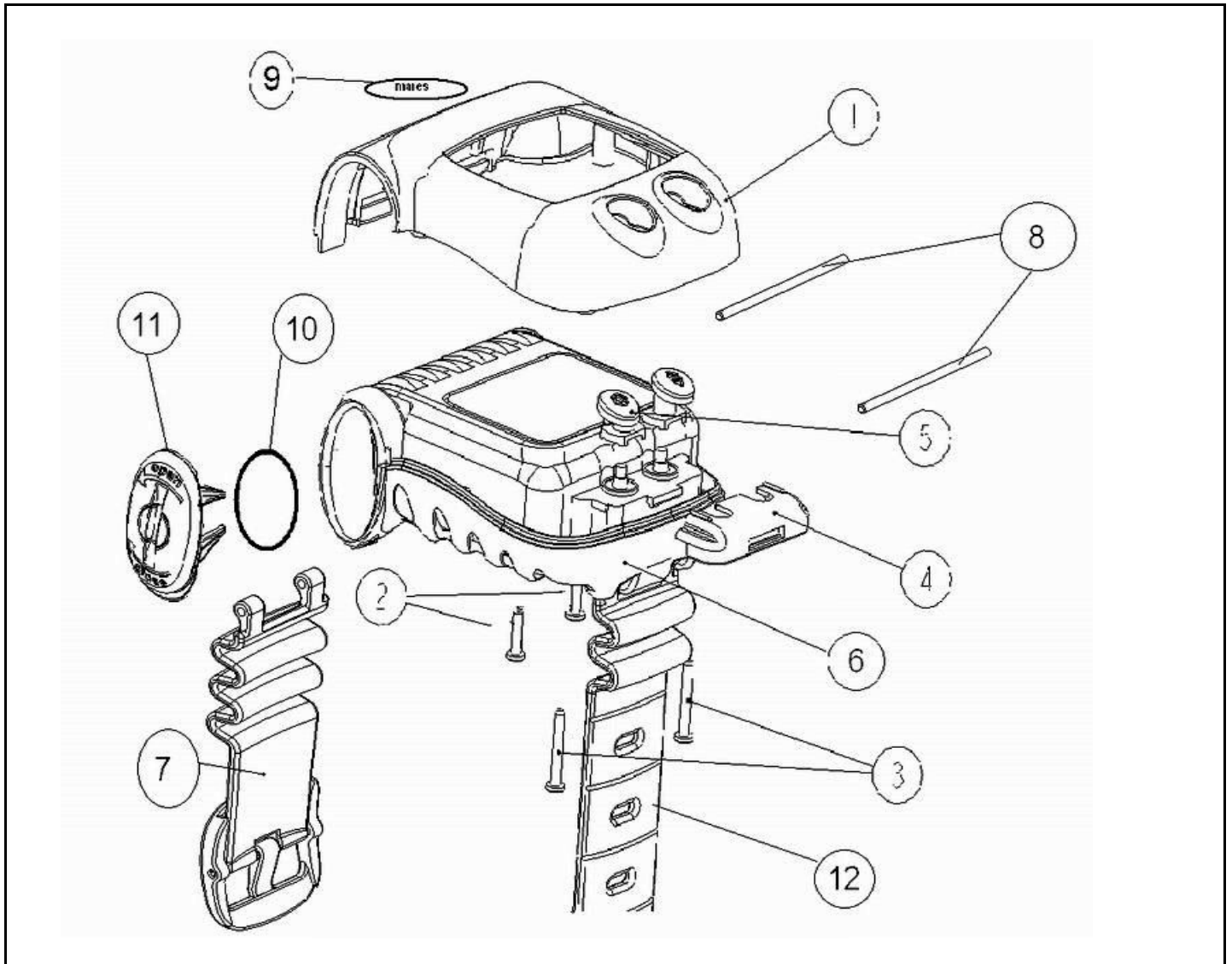
REF	CODE	DESCRIPTION
1	44200635	BOOT CONSOLE Mission 3
2	44200670	RING CONSOLE
3	44200502	H.P. HOSE DIAM. 11
4	46110410	O-ring 2-003 x swivel Viton
5	45172102	Swivel
6	44200384	PRESSURE GAUGE CAPS. BAR
6	44200470	PRESSURE GAUGE CAPS. PSI
7	44200617	PROTECTION GLASS
8	44200647	Computer PUCK
9	44200537	BATTERY CR 2450
10	44200654	O-Ring 28 , 3x1 , 78
11	44200631	BATTERY PLUG

REF	CODE	DESCRIPTION
12	44200179	COMPASS Supreme 2K2 MODULE
13	44200636	PIN LOCK CONSOLE
14	44200634	BOOT FOR CONSOLE 2
15	46110108	OR 108
15	46110404	OR 108 Viton
16	44200485	SOFT HOSE PROTECOR 2K4
17	44200638	BOOT WRIST PUCK
18	44200641	PIN LOCK WRIST
C	44200639	WRIST STRAP KIT
ACCESSORIES		
G	45200248	GRADUATED PLASTIC RING COMPASS



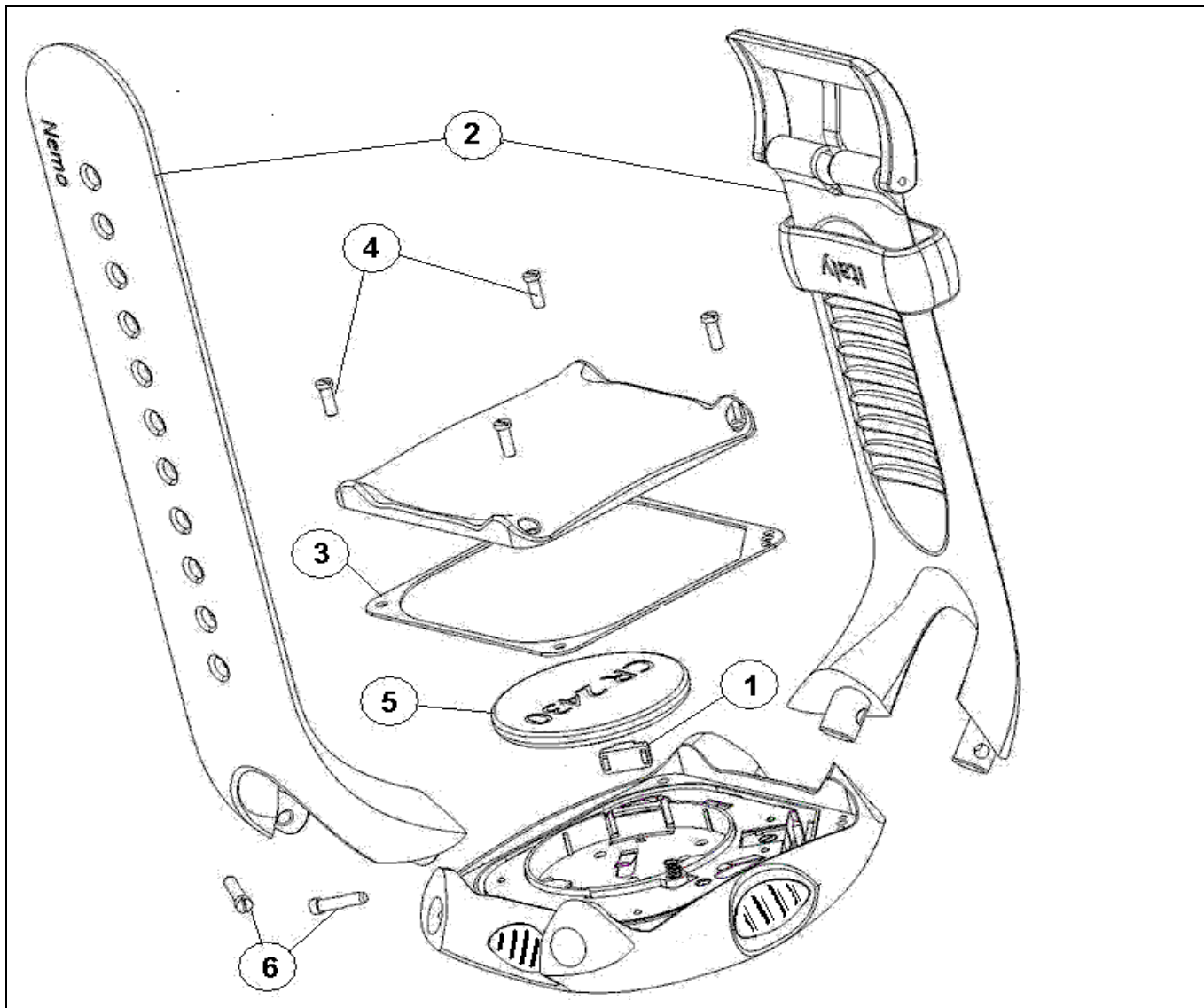
REF	CODE	DESCRIPTION
1	44200592	UPPER SHELL MC2
2	44200591	BOTTOM SHELL MC2
3	44200123	TOP COVER
4	44200109	BATTERY LID
5	46110225	O RING 2068
6	44200135	SCREW AB 3.9 x 13
7	44200134	SCREW AB 3.9 x 9.5
8	44172201	Vite B2.2 x 9.5
9	45172102	SWIVEL WITH O RING, HP HOSE (9 - 10)
10	46110410	O RING 2-003, SWIVEL
11	44172078	HP hose

REF	CODE	DESCRIPTION
12	46110108	OR 108
12	46110404	OR 108 Viton
13	44200124	COMPASS BOOT (optional)
14	44172027	COMPASS MODULE, NORTH
14	44172017	COMPASS MODULE, SOUTH
15	44200547	LABEL MARES
A	***	Computer M2 RGBM
B	44200384	PRESSURE GAUGE MODULE (bar)
B	44200470	PRESSURE GAUGE MODULE (psi)
	44200485	HOSE PROTECTOR SOFT 2K4
	44172073	SWIVEL cpl (9 - 10)



REF	CODE	DESCRIPTION
1	44200554	UPPER SHELL
2	44172201	SCREW 2,2 x 9,5
3	44200169	SCREW 2,2x16
4	44200549	PUSH BOTTONS HOLDER
5	44200548	PUSH BUTTON (MP226)
6	44200176	OUTER SHELL

REF	CODE	DESCRIPTION
7	44200104	WRIST STRAP SHORT
8	44200550	STRAP PIN 2x35
9	44200547	OVAL LABEL "MARES"
10	46110225	OR 2068, BATTERY LID
11	44200109	BATTERY LID
12	44200098	WRIST STRAP LONG



REF	CODE	DESCRIPTION
1	44200603	BATTERY LOCK KIT - NEMO (5 PCS)
2	44200615	WRIST STRAP KIT
3	44200691	GASKET KIT (5 PCS)
4	44200494	BATTERY COVER SCREWS KIT (20 PCS)
5	44200496	BATTERY Nemo 2430

REF	CODE	DESCRIPTION
6	44200683	WRIST STRAP SCREWS KIT
ACCESSORIES		
	44200664	EXTENSION STRAP ASSY - EXCEL
	414901	PROTECTION

DRAWING NO. : C 292

COMPUTER NEMO WIDE

UPDATED : 20/12/2007

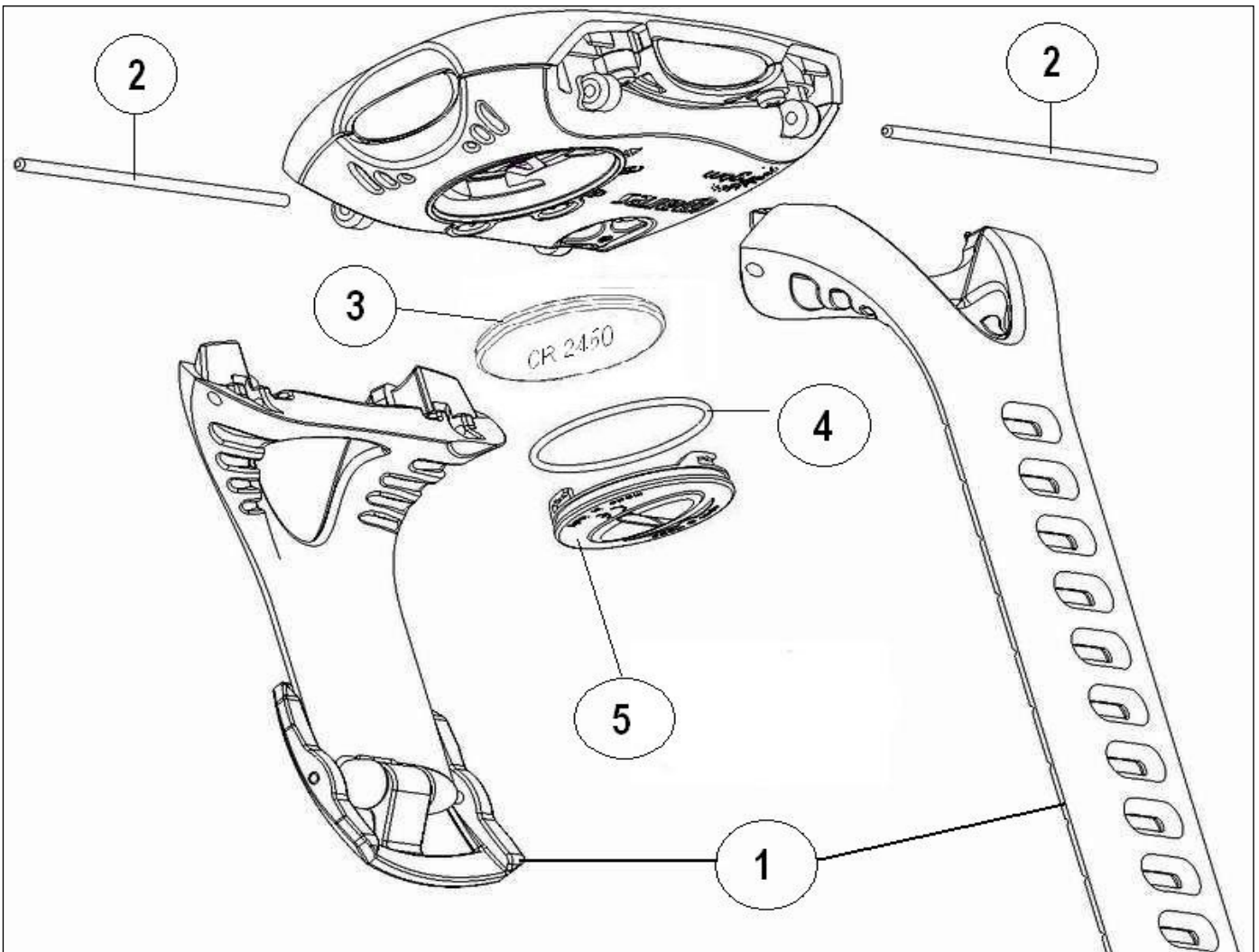


CHART NO. : 607

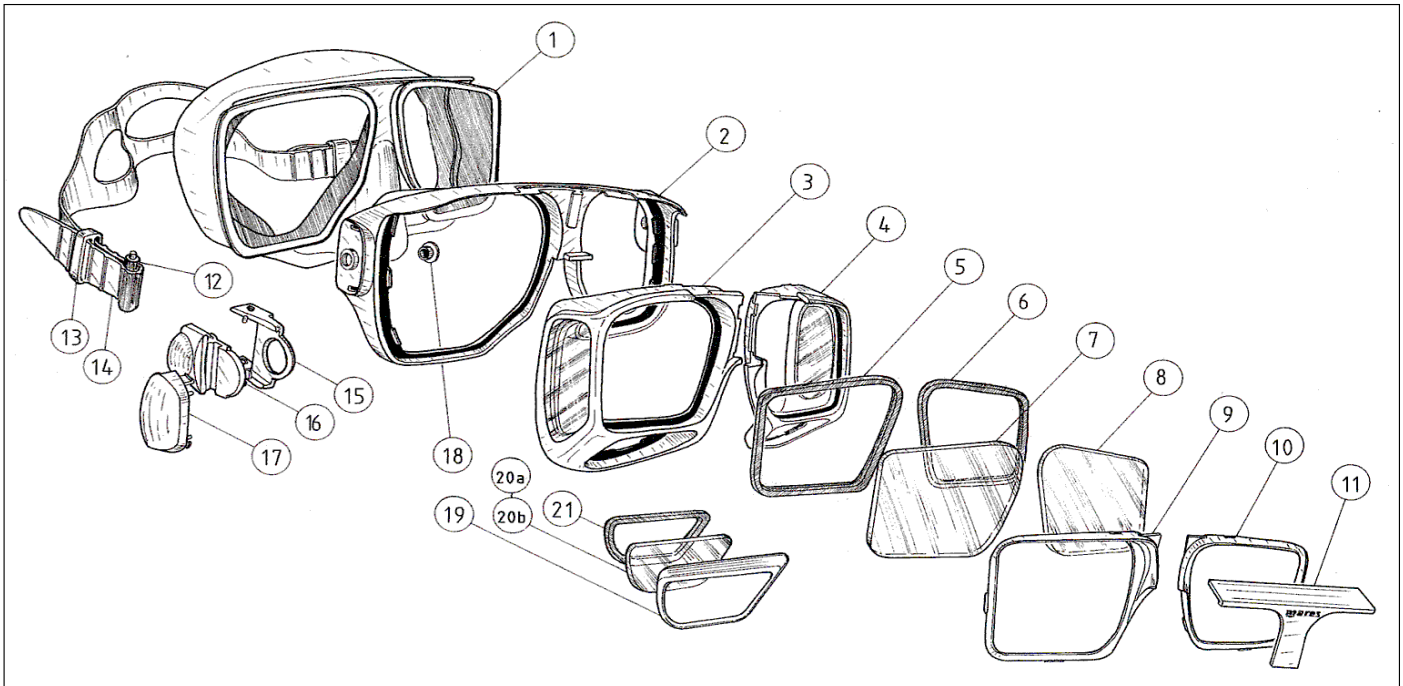
COMPUTER NEMO WIDE

UPDATED : 20/12/2007

REF	CODE	DESCRIPTION
1	44200582	STRAP ASSY
2	44200527	PIN STRAP 2x68
3	44200537	BATTERY CR2450

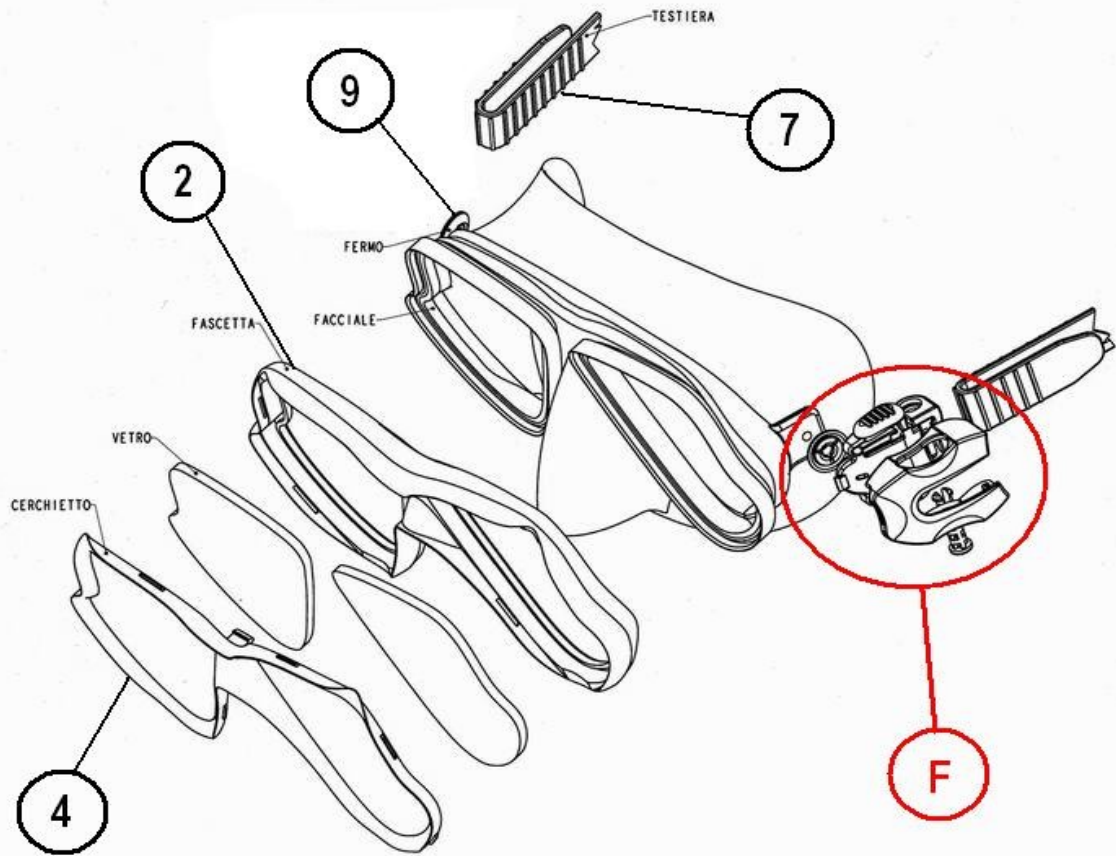
REF	CODE	DESCRIPTION
4	44200723	OR NBR 70 26,3x1,2
5	44200565	BATTERY COVER MP

MASKS



MASKS	CHART NO. 700	OPERA
	Code	411019
Mask strap, silic. clear 565 x 20	415106	7
Mask strap, silic. black 565 x 20	415105	7
Top frame Opera, blue 2k5	41200255	11
Top frame Opera, blue ref 2k5	41200254	11
Top frame Opera, yellow ref 2k5	41200253	11
Top frame Opera, black 2k5	41200265	11
Top frame Opera, yellow 2k5	41200256	11
Lens Rim DX opera blue clear	41134100	9
Lens Rim SX opera blue clear	41134101	10
Lens Rim DX opera blue ref	41200267	9
Lens Rim SX opera blue ref	41200266	10
Lens Rim DX opera yellow ref	41200250	9
Lens Rim SX opera yellow ref	41200249	10
Buckle cover, right blue	41134206	17
Buckle cover, left blue	41134207	17
Buckle cover right blue ref 2k5	41200260	17
Buckle cover left blue ref 2k5	41200259	17
Buckle cover, right yellow ref 2k5	41200257	17
Buckle cover, left yellow ref 2k5	41200258	17
Buckle cover, right black	41134200	17
Buckle cover, left black	41134201	17
Frame opera 05 clear	41200248	2
Frame opera 05 black	41200264	2
Frame opera 05 blue	41200263	2
Buckle kit silver	41139620	12-15-16-18
Buckle Kit black	41139622	12-15-16-18

MASKS



MASKS	CHART NO. 701	PURE VISION	X-VISION LIQUID	X-VISION	STAR LIQUID	X-VISION MEDIUM	DEMON	X-VISION MID LIQUID	KONA	VIZEER	PURE VIZEER
	Code	411217	411027	411015	411030	411024	411025	411024	411252	411257	411258
Mask strap, silicone clear 565 x 20	41200136	7		7		7	7		7	7	7
Mask strap, silicone black 565 x 20	41200135	7		7		7	7		7	7	7
Mask strap, Liquid skin black	41200381		7		7			7			
Mask strap, Liquid skin clear	41200361		7		7			7			
Buckle kit "X" series Liquid Skin	41200360		F		F			F			
Buckle kit "X" series Liquid Skin BK	41200382		F					F			
Buckle kit, white	41200177	F		F		F	F				
Buckle kit 3 pics KONA	41200362								F	F	F
Lens Rim X-Vision red	41200308			4		4					
Lens Rim X-Vision azure	41200311			4		4					
Lens Rim X-Vision yellow	41200310			4		4					
Lens Rim X-Vision blue	41200309			4		4					
Lens Rim X-Vision Clear	41200180			4		4					
Frame X-Vision black	41200278		2	2		2					
Frame X-Vision clear	41200279		2	2		2					
Frame X-Vision blue	41200359		2	2		2					
Frame X-Vision yellow	41200356		2	2		2					
Frame X-Vision pink	41200357		2	2		2					
Frame X-Vision red	41200358		2	2		2					
Frame Pure Vision	41200315	2									
Lens Rim Pure Vision	41200270	4									
Frame Demon deep silver	41200320						2				
Frame Demon black	41200323						2				
Lens Rim Demon deep silver	41200324						4				
Lens Rim Demon black	41200325						4				
Lens Rim Liquid Skin	41200355		4								
Lens Rim Star Liquid Grey	41200340				4						
Frame Star Liquid Blue	41200380				2						
Frame Star Liquid Red	41200379				2						
Frame Star Liquid yellow	41200378				2						

CHART NO. : 643	ACCESSORIES
CODE	DESCRIPTION
REGULATORS	
46200275	REGULATOR HOSE, SPECIAL LENGHT 3/8"
46200504	REGULATOR HOSE, SPECIAL LENGHT 1/2"
46186090	OCTOPUS PLUG
46200705	TRI MATERIAL POPPET - UPGRADE KIT
Nemo Sport	
44200608	STRAP KIT NEMO SPORT
44200609	BATTERY COVER SCREWS KIT NEMO SPORT (20 PCS)
44200610	BATTERY NEMO SPORT (2032 - 3V)+ GASKET+LABEL (5 PCS)
44200611	STRAP EXTENSION NEMO SPORT
B.C.V.	
47158562	BUCKLE, SIMPLE REG. M
47158563	BUCKLE, SIMPLE REG. F
47158560	BUCKLE, DOUBLE REG 50 M
47158561	BUCKLE, DOUBLE REG 50 F
47158568	BUCKLE, SIMPLE REG M
47158569	BUCKLE, SIMPLE REG F
47158566	BUCKLE, DOUBLE REG.40 M DWSR
47158567	BUCKLE, DOUBLE REG.40 F DWSR
47158570	BUCKLE, DOUBLE REG 25 M
47158572	BUCKLE, SIMPLE REG 25 F
47158571	BUCKLE, DOUBLE REG 25 F
47158578	BUCKLE STERNUM STRAP 40/25
47200170	WEIGHT RELEASE PIN
46200016	Valve Halkey Roberts 730 ROA (Snorkeling Vest)
47159380	COUNTER BACK PACK Icon/Aliikai (plastic part only)
COMPASS	
44172034	BOOT W/WRIST STRAP, COMPASS
44172027	CAPSULE COMPASS NORTHERN HEMISPHERE
44172017	CAPSULE COMPASS SOUTHERN HEMISPHERE
MARES BY MOBBYS DRY SUITS	
42150061	INLET VALVE ASSY (DA 8100)
42150062	OUTLET VALVE ASSY (DA 8200)
42150060	HOSE W/WING PULLER
42150065	OUTLET VALVE WASHER - INLET VALVE WASHER
42150064	LP METAL CONNECTION CAP
42150063	METAL MALE CONNECTION
BAGS	
45200271	WHEEL KIT LEFT CRUISE BackPack pro
45200272	WHEEL KIT RIGHT CRUISE BackPack pro
45200273	WHEEL KIT LEFT CRUISE Cargo
45200274	WHEEL KIT RIGHT CRUISE Cargo
45200234	WHEEL SCREW KIT,
SNORKELS	
41200386	MOUTHPIECE Hydrex Family
41200387	MOUTHPIECE Hydrex J
41200388	MOUTHPIECE Breezer J/Guard
41200389	MOUTHPIECE Breezer Purge
41200390	SNORKEL-KEEPERS KIT for Breezer (6pz)

SPECIAL TOOL KIT FOR REGULATOR/BCV

Code 416903

Tool, inflator release button



Codice 47106190

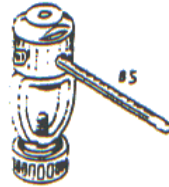
Demand lever adjusting tool



(B-20)

Codice 46106220

1st stage disassembling tool



(B-5)

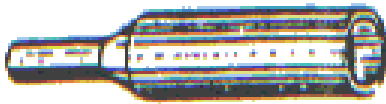
Codice 46106205

HP seat removal tool



(B-21)

Codice 46106221

Demand lever assembling tool
2nd stage OR insert tool

(B-6)

Codice 46106206

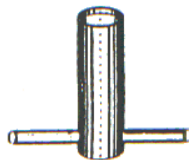
HP seat removal tool, piston 1st stage



(B-22)

Codice 46106222

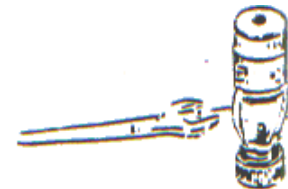
Disassembling tool, 1st stage poppet



(B-11)

Codice 46106211

Wretch, yoke retaining nut, 1° st.



(b-1)

Codice 46106201

Demand lever adjusting tool B-12



(B-12)

Codice 46106212

Demand lever adjust. Gauge Akros/Nikos



Codice 46106230

Tool, LP inflator valve



(C2)

Codice 46200156

Demand lever adjust. Gauge Voltrex/Beta



Codice 46106231

Assembly tool, 2nd stage valve PROTON



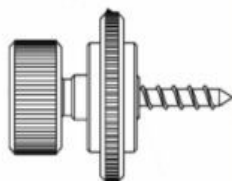
(B-36)

Codice 46200383

Demand lever adjust. Gauge, Abyss Turbo Flow



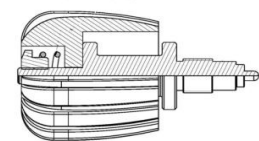
Codice 46200260

V42 valve seat
disassembling tool

(B-38)

Cod.46200634

V42 valve seat assembling



(B-39)

Cod.46200633

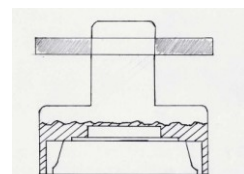
Special tool for Airtrim 2K3 dump valve seat



(C4)

Cod.47200756

Special tool for Airtrim dump valves



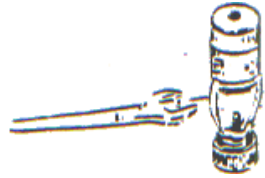
(C3)

Cod.47200087

Tool kit for regulators/BCV

Code 416902

Wrench, yoke retaining nut, 1° st.



(b-1)
Codice 46106201

Wrench, 1st stage diaphragm retaining nut 28 mm,



(B-2)
Codice 46106202

1st stage disassembling tool



(B-5)
Codice 46106205

Wrench, R2 1st stage cap,



(B-23)
Codice 46106223

Wrench, diaphragm retaining nut, 1st st. 32 mm



(B-16)
Codice 46106216

Disassembling tool, 1st stage poppet mrz 02



(B-11)
Codice 46106211

Tool, LP inflator valve



(C2)
Codice 46200156

Wrench, yoke retaining nut, 1° st.



(B-18)
Codice 46106218

Allen wrench, 2nd stage adjustment,



(B-4)
Codice 46106204

Wrench, 2nd st.hose connector 17 mm B-17 (2 pcs)



(B-17)
Codice 46106217

Demand lever adjusting tool B-12



(B-12)
Codice 46106212

Allen wrench 6mm, 1st stage cap,



(B-8)
Codice 46106208

Assembly tool, 2nd stage valve Proton



(B-36)
Codice 46200383

Demand lever adjusting tool B-12



(B-20)
Codice 46106220

Allen wrench 10mm, 1st st. adj



(B-13)
Codice 46106213

HP seat removal tool



(B-21)
Codice 46106221

Demand lever assembling tool 2nd stage OR insert tool



(B-6)
Codice 46106206

Demand lever adj Akros/Nikos



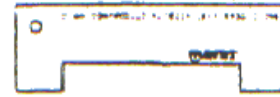
Codice 46106230

Demand lever adj Voltrex/Beta



Codice 46106231

Demand lever adj Abyss Turbo Flow



Codice 46200260

HP seat removal tool, piston 1st stage



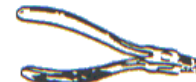
(B-22)
Codice 46106222

V42 compas tool



(B-25)
cod.46106253

Snap ring plier B-14



(B-14)
Codice46106214

Wrench, diaphragm retaining nut, 1st st., 30 mm V42



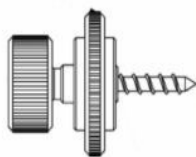
(B-40)
Cod. 46200608

Tool, inflator release button



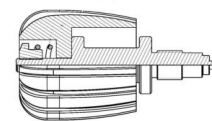
Codice 47106190

V42 valve seat disassembling tool



(B-38)
Cod.46200634

V42 valve seat assembling tool



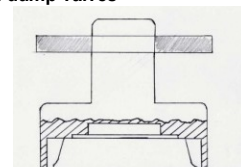
(B-39)
Cod.46200633

Special tool for Airtrim 2K3 dump valve seat



(C4)
Cod.47200756

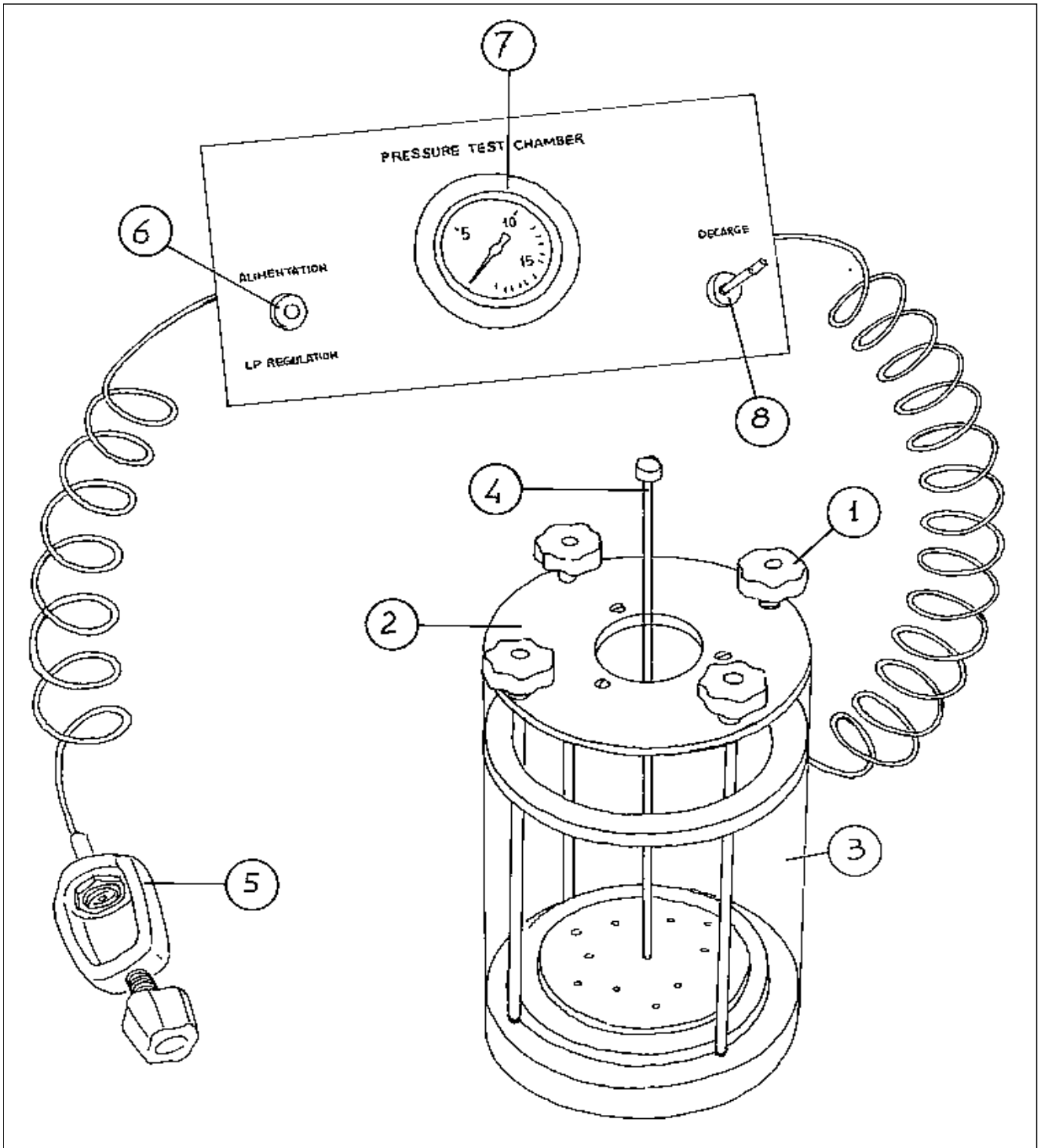
Special tool for Airtrim dump valves



(C3)
Cod.47200087

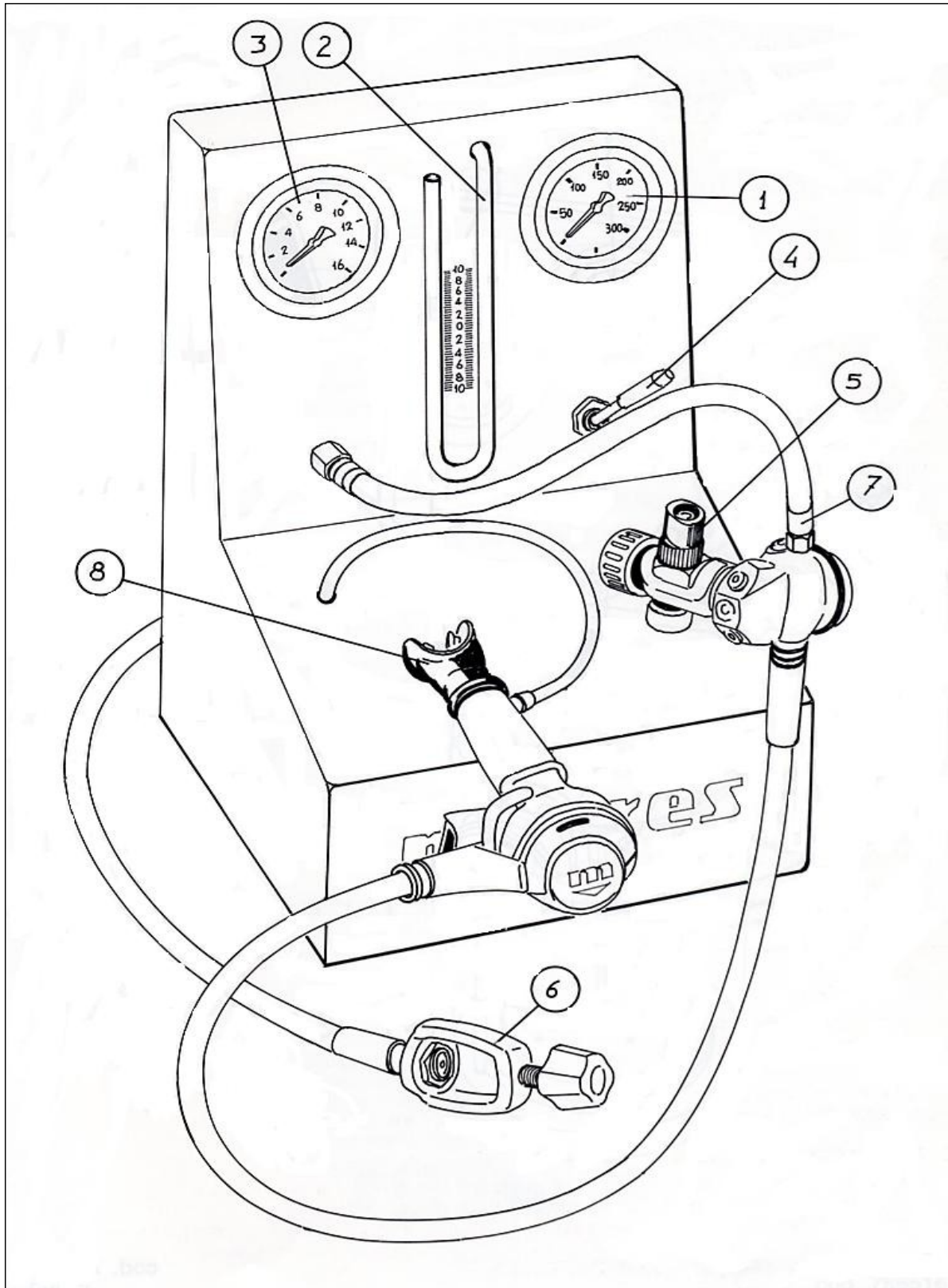
PRESSURE TEST CHAMBER

COD. 414991



REGULATOR TEST BENCH

COD. 416920



PORTABLE REGULATOR TEST BENCH

COD. 416922

