

TABLE OF CONTENTS

THIS SPARE PART LIST SUPERSEDES ALL PREVIOUS EDITIONS

REGULATORS

FIRST STAGE MR 42.....	PAG.3
FIRST STAGE MR 22.....	PAG.4
FIRST STAGE MR 22 NITROX.....	PAG.5
FIRST STAGE MR 12 S.....	PAG.6
FIRST STAGE MR 12 LONG.....	PAG.7
FIRST STAGE MR 12 LONG NITROX.....	PAG.8
FIRS STAGE R2.....	PAG.9
FIRST STAGE HUB MARES.....	PAG.10
DIN CONNECTOR (VERS. 16/22/32/42).....	PAG.11
SECOND STAGE ABYSS 2008 - ABYSS NX 08 - OCT ABYSS.....	PAG.12
SECOND STAGE CARBON - OCT CARBON.....	PAG.13
SECOND STAGE PRESTIGE-OCT. PRESTIGE	PAG.14
SECOND STAGE PRESTIGE NTT - OCT PRESTIGE NTT.....	PAG.15
SECOND STAGE ABYSS EXTREME - OCT ABYSS EXTREME.....	PAG.16
SECON STAGE PROTON METAL- OCT PROTON METAL.....	PAG.17
SECOND STAGE PROTON SHE DIVES.....	PAG.18
SECOND STAGE ROVER - ROVER NX - ..OCT ROVER.....	PAG.19
OCTOPUS MV	PAG.20
OCTOPUS PROTON.....	PAG.21
AIR CONTROL.....	PAG.22

B.C. VESTS

DRAGON A.T.	PAG.23
VECTOR 1000 AT	PAG.24
ORIGIN SPORT A.T.	PAG.25
KAILA A. T.	PAG.26
DRAGON	PAG.27
VECTOR 1000	PAG.28
PRESTIGE.....	PAG.29
ICON	PAG.30
ALIIKAI	PAG.31
KAILA	PAG.32
PEGASUS.....	PAG.33
ORIGIN SPORT.....	PAG.34
ROVER DC.....	PAG.35
ERGO INFLATOR.....	PAG.36
H.U.B. AVANTGARDE.....	PAG.37
AIR TRIM CONTROL ASSEMBLY 2003.....	PAG.38
AIR DUMP VALVE AIRTRIM 2003.....	PAG.39



www.mares.com

TABLE OF CONTENTS

THIS SPARE PART LIST SUPERSEDES ALL PREVIOUS EDITIONS

AIRLOCK..... PAG. 40

TANK VALVES

TANK VALVE 92..... PAG.41

GAUGE & COMPUTERS

CONSOLLE MISSION 08..... PAG. 42

CONSOLLE / COMPUTER PUCK..... PAG. 43

CONSOLLE NEMO AIR..... PAG. 44

CONSOLLE PUCK AIR..... PAG. 45

COMPUTER NEMO EXCEL..... PAG. 46

COMPUTER NEMO WIDE..... PAG. 47

MASKS

MASK 1..... PAG. 48

MASK 2..... PAG. 49

ACCESSORIES

ACCESSORIES..... PAG. 50

TOOL KITS

MAINTENAINCE KIT W/SPECIAL TOOL FOR REGULATORS AN PAG. 51

TOOL KIT FOR REGULATORS AND B.C. VEST..... PAG. 52

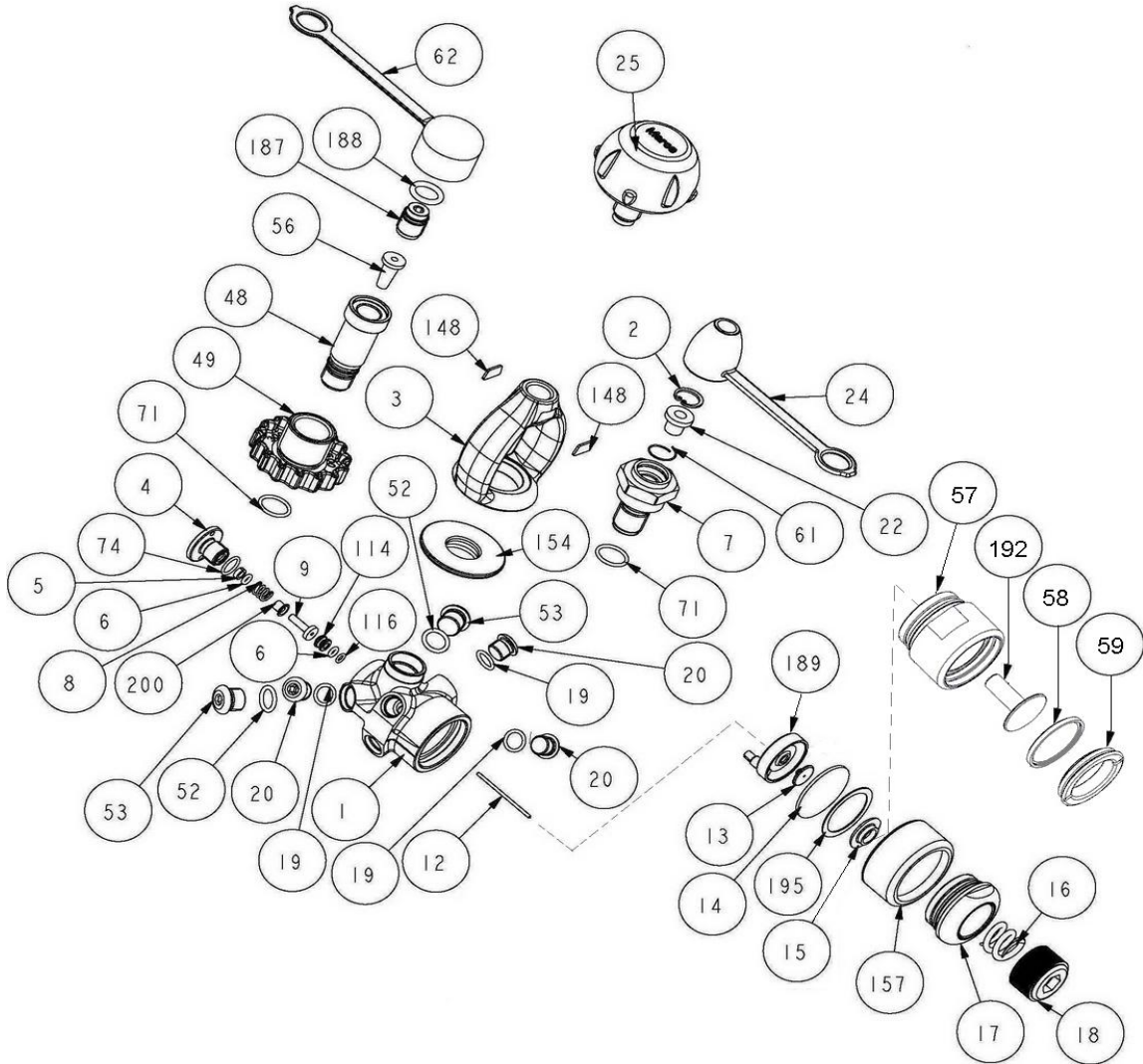
PRESSURIZED TEST CHAMBER..... PAG. 53

REGULATOR TEST BENCH..... PAG. 54

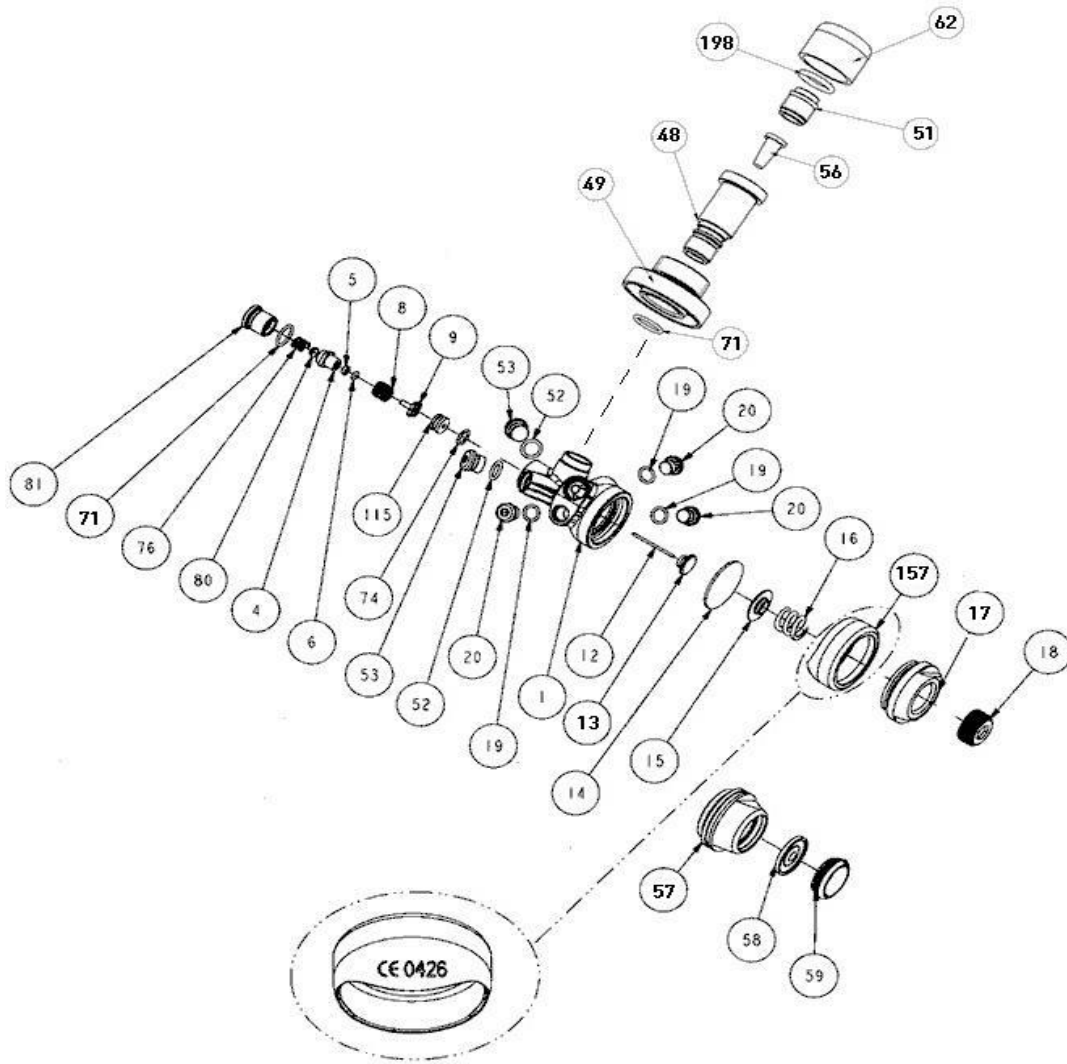
PORTABLE REGULATOR TEST BENCH..... PAG. 55



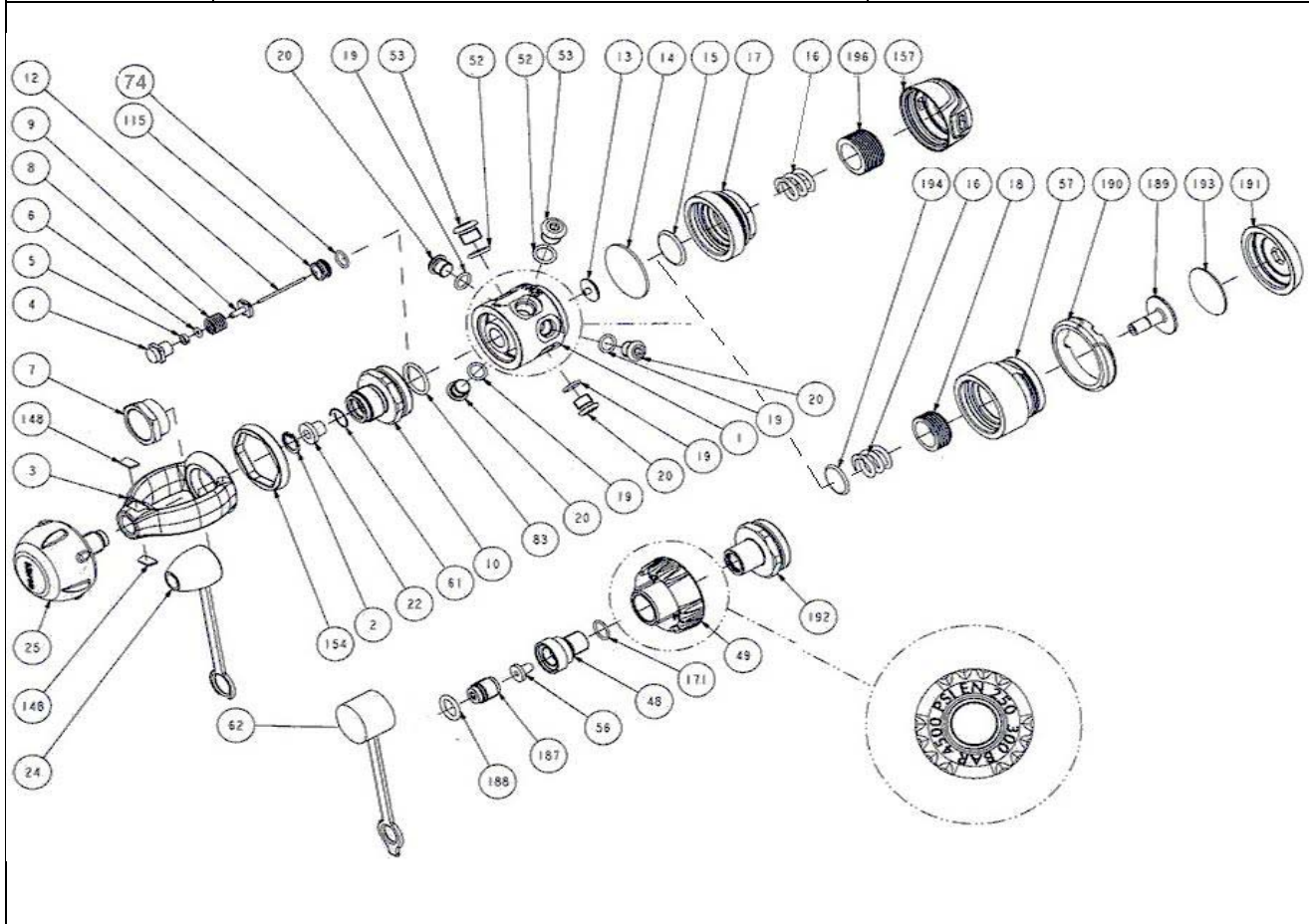
www.mares.com



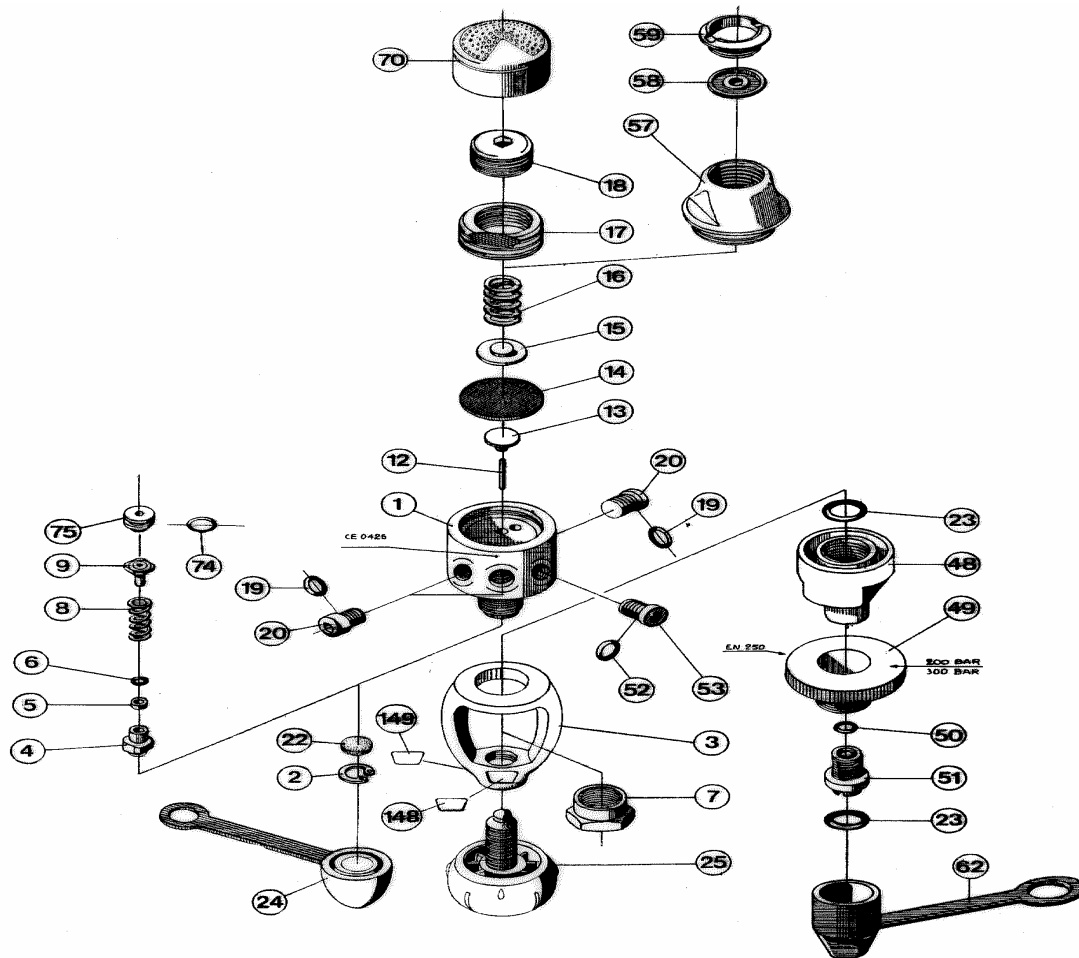
REF	CODE	DESCRIPTION	REF	CODE	DESCRIPTION
1	46200676	FIRST STAGE BODY DFC	62	46200562	DUST CAP 300 BAR DIN CONNECTOR
2	46185015	RETAINING RING, 1st STG FILTER	71	46110211	OR 2050
3	46185211	YOKE	71	46110413	OR 2050 Viton 014-9707
4	D	HP CHAMBER	74	46110107	OR 2031
5	46185038	BACKUP RING 1ST STAGE	74	46110403	OR 2031 Viton 011-9707
6	46110101	OR 2012	114	46200761	POPPET SEAT (MR)
6	46110401	OR 2012 Viton 006-9707	116	46110405	OR 4 X 1
7	46186205	NUT YOKE RETAINER	148	46184315	LABEL YOKE "EN 250"
8	46200765	POPPET SPRING 1° STG	148	46184316	LABEL YOKE "MARES"
9	46200764	POPPET 1° STG TRI-MATERIAL	154	46200553	YOKE CONNECTOR 1° STG
12	46200672	PIN POPPET 34,5 MM	157	46200829	PROTECTION CAP 1st STG MR 42T
13	46200545	BUTTON FIRST STAGE POPPET	187	46200547	O-RING SEAT DIN
14	46200674	DIAPHRAGM	188	46110247	OR 3043
15	46200582	PLATE SPRING BASE	188	46200620	OR 3043 viton
16	46185023	SPRING DIAPHRAGM	189	46200671	DFC WASHER 42
17	46200544	RETAINING NUT	195	46200581	BACK UP RING 2K4
18	46185028	REGULATING NUT	200	46200763	POPPET BUSHING
19	46110106	OR 106	ASSEMBLIES		
19	46110402	OR 106 Viton 610-9707			
20	46185204	LP PLUG 3/8"	D	46200597	HP HOUSING (4-5-6)
22	46186202	CONICAL FILTER	F	416805	DIN CONNECTOR 300 BAR (tab. n. 23 dis E14) (71-48-49-56-187-188)
24	46185010	DUST CAP	I	416852	KIT CWD DRY
25	46184079	YOKE KNOB	***	46200596	MAINTENANCE KIT 1° STG METAL TECH / V-MR 42 INT (2-5-6-19-22-52-61-71-74-116-195)
48	46200548	BODY, DIN CONNECTOR 300 BAR	***	46200603	MAINTENANCE KIT 1° STG METAL TECH / V-MR 42 DIN (2-5-6-19-52-56-71-74-116-188-195)
49	46200546	THREADED LOCKING RING (300 Bar)	***	46200751	MAINTENANCE KIT 1° STG MR 42 INT (VITON O-RING) (2-5-6-19-22-52-61-71-74-116-195)
52	46110108	OR 108	***	46200752	MAINTENANCE KIT DIN O-Ring Viton. 1° st MR 42
52	46110404	OR 108 Viton 611-9754			
53	46185205	HP PLUG 7/16"			
56	46200561	CONICAL FILTER DIN CONNECTOR			
61	46185013	SPRING, FILTER 1ST. STAGE			



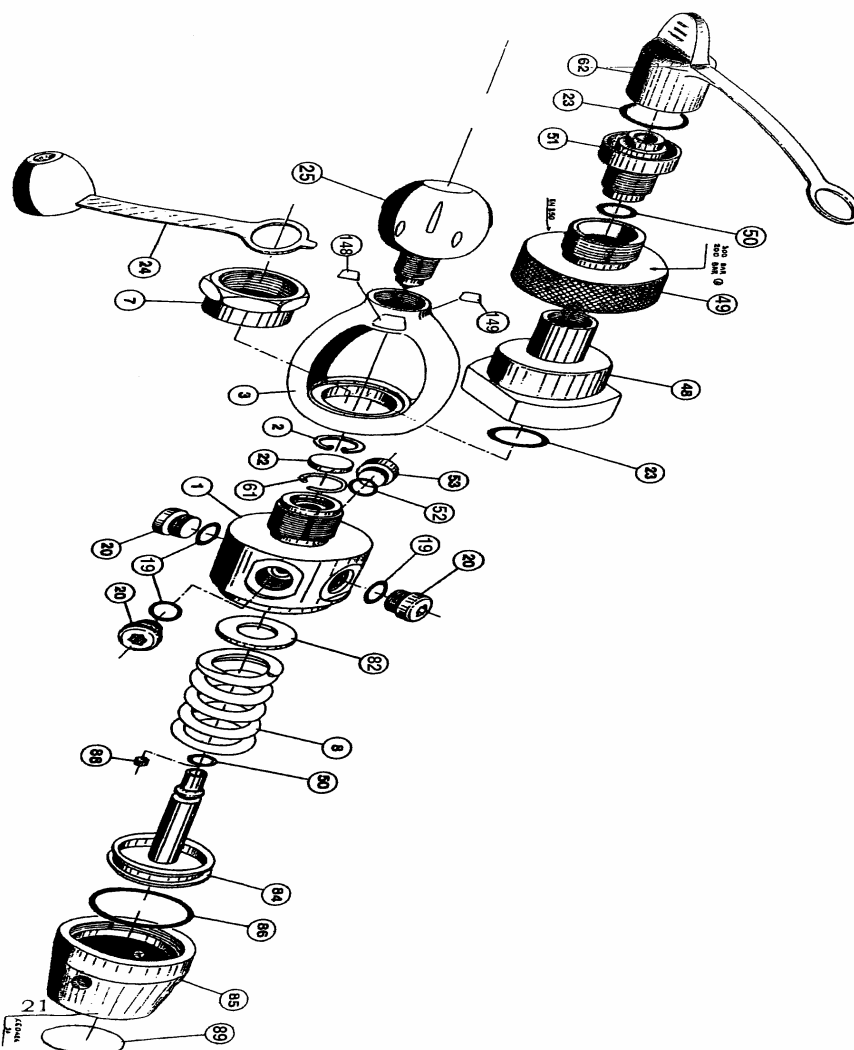
REF	CODE	DESCRIPTION	REF	CODE	DESCRIPTION
1	46200959	FIRST STAGE BODY DFC	56	46200561	FILTER, DIN CONNECTOR,
4	D	HP HOUSING	62	46200658	DUST CAP Nitrox 2K5
5	46185038	BACKUP RING 1ST STAGE REGULATOR	71	46110413	RING, 1ST STAGE
6	46110401	OR 2012 Viton 006-9707	74	46110403	OR 2050 Viton 014-9707
8	46185011	SPRING, 1ST STAGE VALVE	75	46186216	OR 2031 Viton 011-9707
9	46200652	POPPET 1° STG TRI-MATERIAL	76	46186210	POPPET SEAT, 1ST STAGE, MR22
12	46186214	PIN, 1ST STAGE, 32,5 MM	80	46186206	SPRING,HP HOUSING,1ST STAGE MR22
13	46186213	BUTTON POPPET, 1ST STAGE MR22	81	46186208	HP HOUSING BUTTON 1ST STAGE MR22
14	46185022	DIAPHRAGM, 1ST STAGE REGULATORS	89	46200722	LABEL ABYSS T
15	46185034	PLATE SPRING BASE, 1ST STAGE REGS	157	46200861	PROTECTION CAP 1STG
16	46185023	SPRING DIAPHRAGM 1ST STAGE REG.	198	46200655	OR 3056
17	46186219	LOCKING NUT	ASSEMBLIES		
18	46185028	REGULATING NUT, 1ST STAGE REGS	D	46186259	HP HOUSING ASSY, 1ST STAGE (4-5-6)VITON
19	46110402	OR 106 Viton 610-9707	F	46200663	NITROX CONNECTOR 200 BAR (Ref. Tab. 30 Drawing 107)
20	46185204	LP PLUG 3/8", 1ST STAGE, REGS.	###	46200692	SERVICE KIT 1st STG MR22 NX (EN 13949) (5-6-19-52-56-71-74-198)
48	46200594	CONNECTOR BODY NITROX 200 BAR	ACCESSORIES		
49	46200592	WHEEL NITROX CONNECTOR 200 BAR	98	46186207	LP PLUG 1/2" UNF
51	46200593	O-RING SEAT	97	46110215	OR 2043
52	46110404	OR 108 Viton 611-9754			
53	46185205	HP PLUG 7/16", 1ST STAGE			



REF	CODE	DESCRIPTION	REF	CODE	DESCRIPTION
1	46200944	First Stage BODY 12S	74	46110107	OR 2031
2	46185015	Seeger D. INT. 13	74	46110403	OR 2031 Viton 011-9707
3	46185211	YOKE 2000	83	46110225	OR 2068
4	D	HP CHAMBER	83	46110420	OR 2068 Viton
5	46185038	BACKUP RING 1st STG REGULATOR	115	46186216	POPPET SEAT MR
6	46110101	OR 2012	148	46184315	LABEL YOKE "EN 250"
6	46110401	OR 2012 Viton 006-9707	149	46184316	OVAL LABEL
7	46185212	NUT YOKE RETAINER 1ST STAGE MR12	154	46200930	PLASTIC RING INT 12S
8	46185011	SPRING, 1ST STAGE VALVE, MR12	157	46200929	HOCK CAP, 1st STAGE 12S
9	46200652	POPPET 1° STG TRI-MATERIAL	171	46110110	OR 2037
10	46200940	CONNECTOR BODY INT	171	46200298	OR 2037 Viton
12	46186214	PIN POPPET MR12 32,5 MM	187	46200946	O-RING SEAT DIN 12S
13	46186213	BUTTON, 1ST ST. POPPET	188	46110247	OR 3043
14	46185022	DIAPHRAGM, 1ST STAGE REGULATORS	188	46200620	OR 3043 viton
15	46185034	PLATE SPRING BASE	189	46200925	CWD Dry 12S Piston
16	46185023	SPRING DIAPHRAGM 1ST STAGE REG.	190	46200923	Plastic Ring CWD DRy 12S
17	46200938	RETAINING NUT 12 S	191	46200922	HOCK CUP CWD Dry 12S
18	46185028	REGULATING NUT, 1ST STAGE	192	46200942	CONN. BODY HP DIN 12S
19	46110106	OR 106	193	46200926	DIAPHRAGM, CWD DRY 12S
19	46110402	OR 106 Viton 610-9707	194	46200950	PLATE SPRING BASE CWD DRY
20	46185204	LP PLUG 3/8", 1ST STAGE, REGS.	ASSEMBLIES		
22	46186202	1ST STAGE FILTER, REGULATORS	A	416209	1st STAGE ASSEMBLY 12 S (INT-DIN)
24	46185010	DUST CAP	D	46185210	HP HOUSING ASSY, 1ST STAGE [4-5-6]
25	46184079	YOKE KNOB	D	46186259	HP HOUSING ASSY, 1ST STD (Viton O-rings)
48	46200934	CONNECTING PLUG, DIN 300 BAR 12S	F	416807	DIN CONNECTOR 300 BAR 12S
49	46200932	DIN 300 BAR THREADED LOCKING RING			[48-49-56-62-171-187-188-192]
52	46110108	OR 108	I	416856	KIT CWD DRY 12 S
52	46110404	OR 108 Viton 611-9707	###	46200963	Service Kit 1st STG 12S INT
53	46185205	HP PLUG 7/16", 1ST STAGE	###	46200965	Service Kit 1st STG 12S INT(Viton O-Rings)
56	46200948	FILTER, DIN CONNECTOR, 12S			[2-5-6-19-22-52-74-83]
57	I	CWD Dry 12S BODY	ooo	46200964	Service Kit 1st STG 12S DIN
61	46185013	SPRING, FILTER 1ST. STAGE	ooo	46200966	Service Kit 1st STG 12S DIN (Viton O-Rings)
62	46183014	DUST CAP 300 BAR DIN CONNECTOR			[5-6-19-52-56-74-83-171-188]



REF	CODE	DESCRIPTION	REF	CODE	DESCRIPTION
1	46186305	FIRST STAGE BODY	50	46110409	OR 2018 Viton 008-9707
2	46185015	Seeger D. INT. 13	50	46110203	OR 2018
3	46185211	YOKE 2000	51	46183003	CONNECTING PLUG, DIN KIT 300 BAR
4	D	HP CHAMBER	52	46110108	OR 108
5	46185038	BACKUP RING 1st STG REGULATOR	52	46110404	OR 108 Viton 611-9707
6	46110101	OR 2012	53	46185205	HP PLUG 7/16", 1ST STAGE, MR12
6	46110401	OR 2012 VITON 006-9707	57	I	CWD BODY
7	46185212	NUT YOKE RETAINER 1ST STAGE MR12	58	46185301	DIAPHRAGM, CWD KIT
8	46185011	SPRING, 1ST STAGE VALVE, MR12	59	46185302	CWD LOCKING RING
9	46200652	POPPET 1° STG TRI-MATERIAL	62	46183014	DUST CAP 300 BAR DIN CONNECTOR
12	46186303	PIN POPPET MR12 31 MM	70	46200745	HOCK CAP, 1st STAGE MR12T
13	46185032	BUTTON, 1ST ST. POPPET	74	46110107	OR 2031
14	46185022	DIAPHRAGM, 1ST STAGE REGULATORS	74	46110403	OR 2031 Viton 011-9707
15	46185034	PLATE SPRING BASE	75	46186216	POPPET SEAT, 1ST STAGE, MR12
16	46185023	SPRING DIAPHRAGM 1ST STAGE REG.	148	46184315	LABEL EN 250 200 bar
17	46184510	RETAINING NUT 1ST STAGE	149	46184316	LABEL MARES
18	46184511	REGULATING NUT, 1ST STAGE	ASSEMBLIES		
18	46185028	REGULATING NUT, CWD 1ST STAGE	D	46185210	HP HOUSING ASSEMBLY [4-5-6]
19	46110106	OR 106	D	46186259	HP HOUSING ASSEMBLY [4-5-6] - VITON
19	46110402	OR 106 VITON 610-9754	F	416804	Attacco completo DIN 300 BAR
20	46185204	LP PLUG 3/8", 1ST STAGE, REGS.			[23-48-49-50-51-62]
22	46185014	1ST STAGE FILTER, REGULATORS	I	416851	Kit CWD
23	46110117	OR 115	###	46186150	SERVICE KIT, 1st STAGE INT/DIN
23	46110406	OR 115 VITON 614-9707			[2-5-6-19-22-23-50-52-74]
24	46185010	DUST CAP	###	46186154	SERVICE KIT, 1st STAGE INT/DIN - VITON
25	46184079	YOKE KNOB			[2-5-6-19-22-23-50-52-74]
48	F	CONNECTOR BODY DIN 300 BAR	ACCESSORIES		
49	F	DIN 300 BAR THREADED LOCKING RIN	----	415861	YOKE CONNECTOR INT/DIN ASSY (200 BAR)



Rif.N.	CODE	DESCRIPTION	Rif.N.	Codice	DESCRIPTION
1	46186230	FIRST STAGE BODY	53	46185205	HP PLUG 7/16", 1ST STAGE
2	46185015	RETAINING RING, 1ST STAGE FILTER	61	46185013	SPRING, FILTER 1ST
3	46185211	YOKE 2000	62	46183014	DUST CAP 300 BAR DIN CONNECTOR
7	46185212	NUT YOKE RETAINER 1ST STAGE	82	46186221	RING, SPRING BASE
8	46186220	SPRING POPPET 1ST STAGE	84	46186228	PISTON
19	46110106	OR 106	85	46186225	CAP 1ST STAGE
19	46110402	OR 106 VITON 610-9754	86	46110224	OR 2100
20	46185204	LP PLUG 3/8", 1ST STAGE, REGS.	86	46110419	OR 2100 VITON 022-9707
22	46185014	1ST STAGE FILTER, REGULATORS	88	46186223	PLASTIC SEAT, PISTON REG.
23	46110117	OR 115	89	46184354	LABEL 1ST STAGE R2
23	46110406	OR 115 VITON 614-9707	148	46184315	LABEL EN 250 200 BAR
24	46185010	DUST CAP	149	46184316	LABEL MARES
25	46184079	YOKE KNOB	ASSEMBLIES		
48	F	CONNECTOR BODY DIN 300 BAR	F	416804	DIN CONNECTOR 300 BAR NX (23-48-49-50-51-62)
49	F	DIN 300 BAR THREADED LOCKING RING	***	46185323	SERVICE KIT, R2 1ST STAGE INT/DIN (2-19-22-23-50-52-86-88)
50	46110203	OR 2018	***	46186155	SERVICE KIT 1ST STAGE INT/DIN (VITON) (2-19-22-23-50-52-86-88)
50	46110409	OR 2018 Viton 008-9707			
51	46183003	CONNECTING PLUG, DIN KIT 300 BAR			
52	46110108	OR 108			
52	46110404	OR 108 Viton 611-9707			

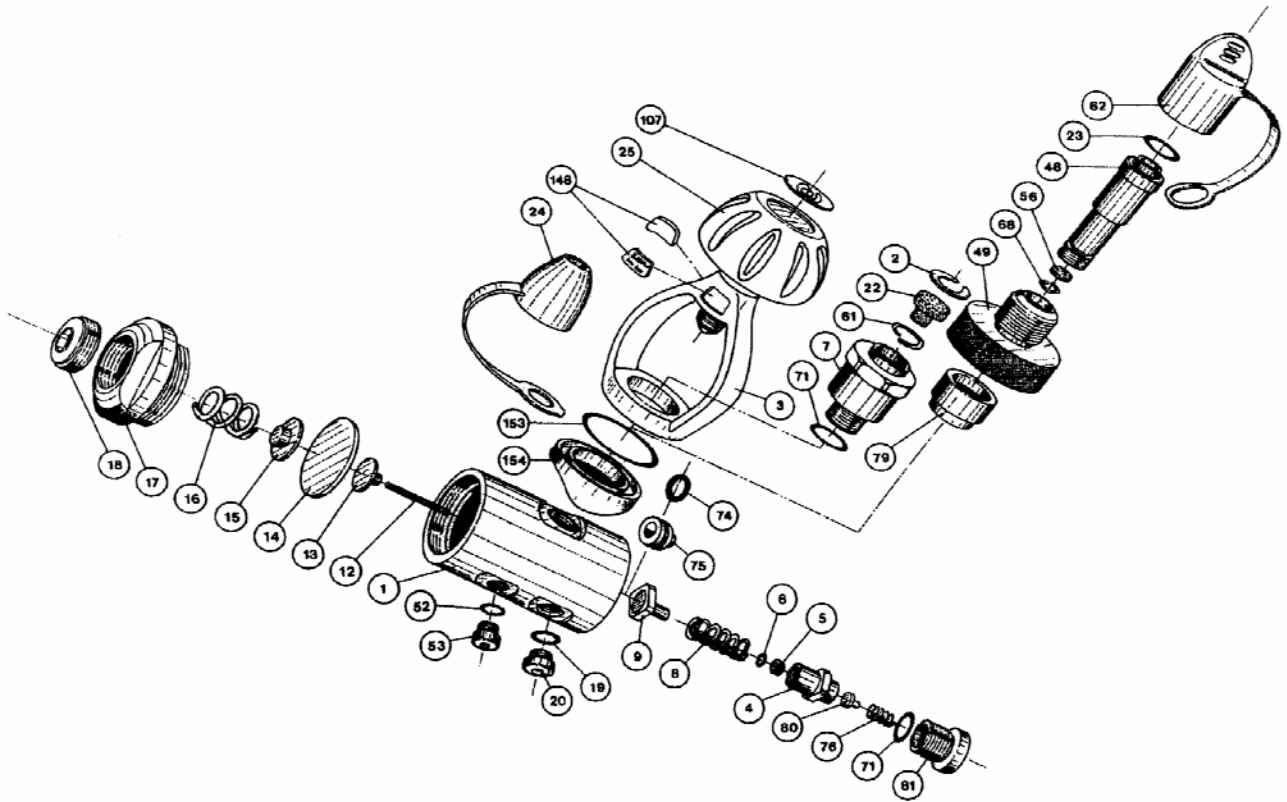


CHART NO : 20

1 st STAGE H.U.B.

UPDATED : 22/12/2008

REF. N.	CODE	DESCRIPTION	REF. N.	CODE	DESCRIPTION
1	46186269	FIRST STAGE BODY	68	000	SPRING, DIN CONNECTOR,
2	46185015	RETAINING RING, 1ST STAGE FILTER	71	46110211	O-Ring 2050
3	46186270	YOKE	74	46110107	O-Ring 2031
4	D	HP CHAMBER	75	46186216	POPPET SEAT, 1ST STAGE
5	46185038	BACKUP RING 1ST STAGE REGULATOR	76	46186210	SPRING,HP HOUSING,1ST STAGE
6	46110101	OR 2012	79	000	DIN CONNECTOR SPACER BUSHING
7	46186241	NUT YOKE RETAINER	80	46186206	HP HOUSING BUTTON 1ST STAGE
8	46185011	SPRING, 1ST STAGE VALVE	81	46186208	PLUG, 1ST STAGE
9	46200652	POPPET 1° STG TRI-MATERIAL	107	47158704	KNOB LABEL
12	46186214	PIN, 1ST 32,5 MM	148	46184315	LABEL EN 250
13	46185032	BUTTON 1ST STAGE POPPET, REGS	153	46110176	O-RING 3118
14	46185022	DIAPHRAGM, 1ST STAGE REGULATORS	154	46187016	SEAT YOKE BODY
15	46185034	PLATE SPRING BASE, 1ST STAGE REGS	ASSEMBLIES		
17	46186268	RETAINING NUT 1ST STAGE	D	46185210	HP HOUSING ASSEMBLY, 1ST STAGE (4-5-6)
18	46185028	REGULATING NUT, 1ST STAGE REGS	F	416805	DIN CONNECTOR 300 BAR (tab. n. 23 drawing E14)
19	46110106	OR 106	I	416851	Kit CWD
20	46185204	LP PLUG 3/8", 1ST STAGE, REGS.	***	46186152	SERVICE KIT, 1ST STAGE INT(2-5-6-19-22-52-71-74)
22	46186202	CON.SINTERED FILTER. 1ST STAGE	***	46200606	SERVICE KIT DIN 1° St 32/22/16/TP/D16 2K5 (5-6-19-52-74-[56-71-188-194 tab 7])
23	46110117	OR 115	V	46185167	SERVICE KIT VITON 1° STG HUB INT (2-5-6-19-22-52-71-74)
24	46185010	DUST CAP	NOTE:		
25	46187007	YOKE KNOB	DIN CONNECTOR PREVIOUS VERSION - Part n. 416803		
48	000	BODY, DIN CONNECTOR 300 BAR	REF. 23-48-49-56-62-68-71-79: PLEASE CHECK 2004 YEAR SPARE		
49	000	DIN 300 BAR THREADED LOCKING RING	PART LIST. THESE PART ARE GOING OUT OF STOCK. IF NO MORE		
52	46110108	OR 108	AVAILABLE. IT WILL BE NECESSARY TO REPLACE THE COMPLETE		
53	46185205	HP PLUG 7/16", 1ST STAGE	DIN CONNECTOR WITH THE NEW VERSION - PART NUMBER 416805		
56	000	FILTER, DIN CONNECTOR	TAB. 23 DIS. E14		
61	46185013	SPRING, FILTER 1ST STAGE			
62	000	DUST CAP 300 BAR DIN CONNECTOR			

DRAWING NO : E 14	DIN CONNECTOR (vers. 16 - 22- 32- 42)	UPDATED: 29/09/2004
-------------------	---	---------------------

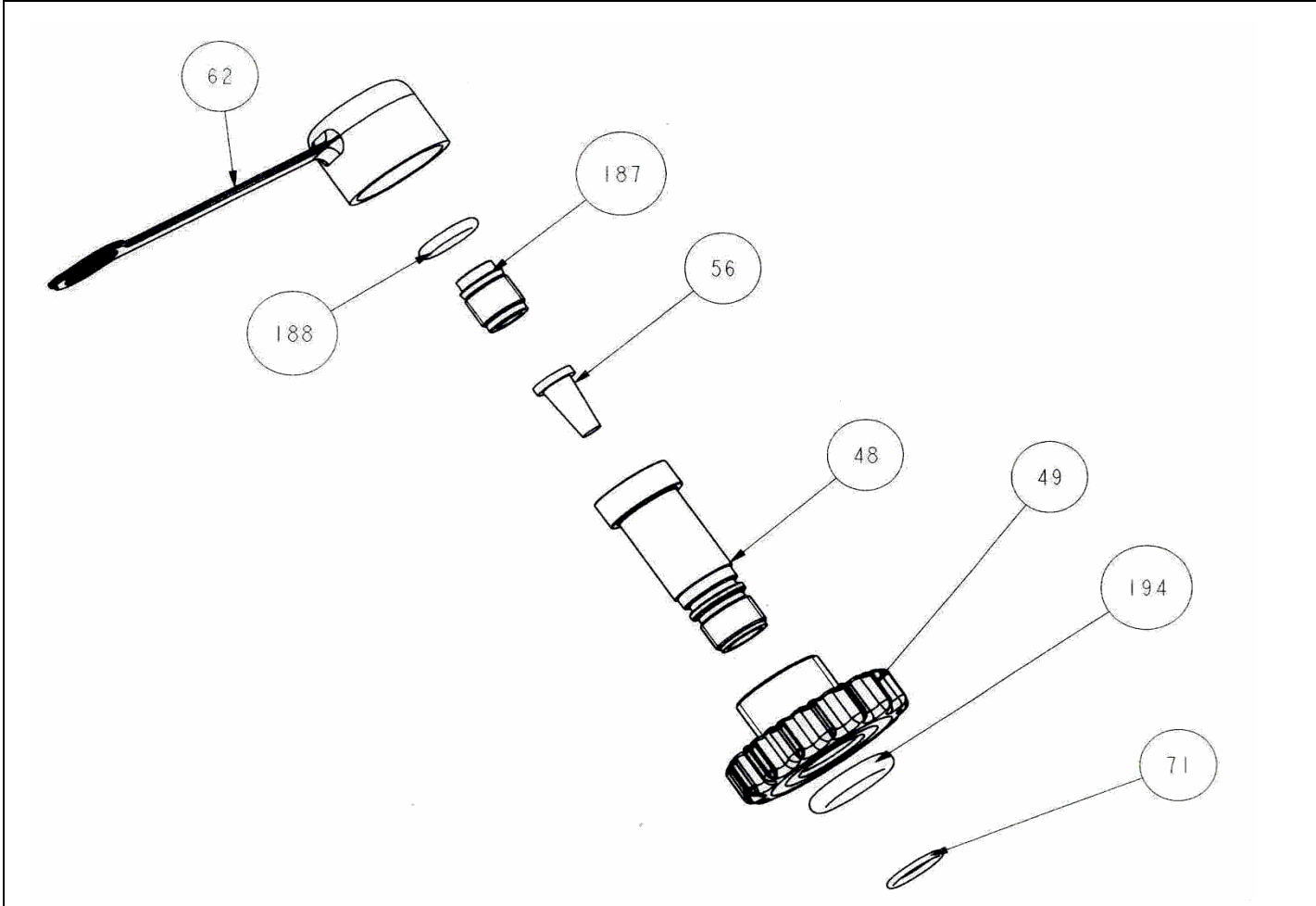


CHART NO : 23	DIN CONNECTOR (vers. 16 - 22- 32- 42)	UPDATED: 22/01/2007
---------------	---	---------------------

REF. N.	CODE	DESCRIPTION	REF. N.	CODE	DESCRIPTION
48	46200548	CONNECTOR BODY DIN 300 BAR	187	46200547	O-RING SEAT - DIN
49	46200546	DIN WHEEL 300	188	46110247	OR 3043
56	46200561	CON.SINTERED FILTER. DIN	188	46200620	O-RING 3043 viton
62	46200562	DUST CAP 300 BAR DIN	194	46200559	OR 15 x 4
71	46110211	OR 2050	ASSEMBLIES		
71	46110413	O-RING 2050 viton	F	416805	DIN CONNECTOR 300 BAR

DRAWING NO : E 39

2nd STAGE ABYSS - ABYSS NX - OCT ABYSS

UPDATED: 22/01/2007

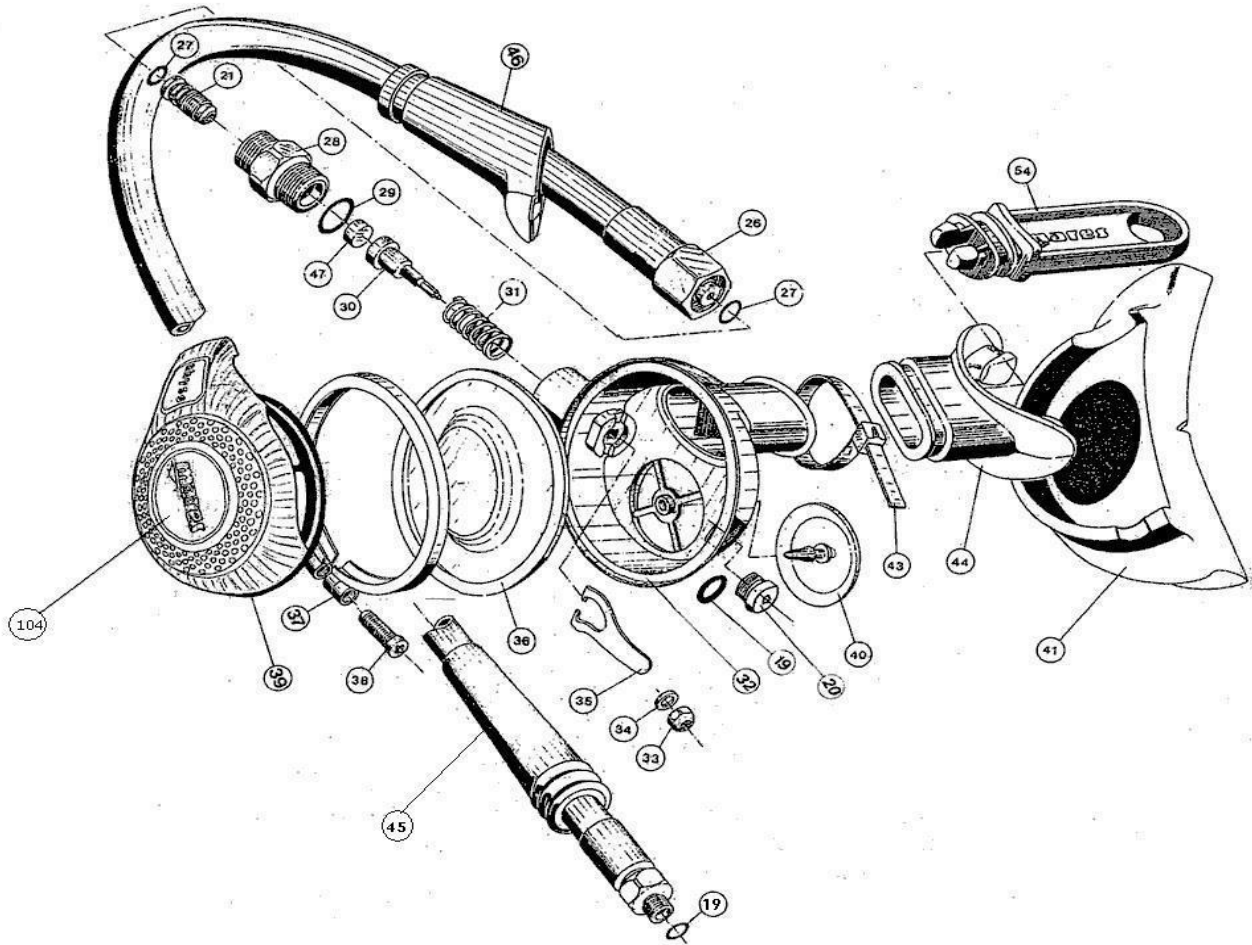
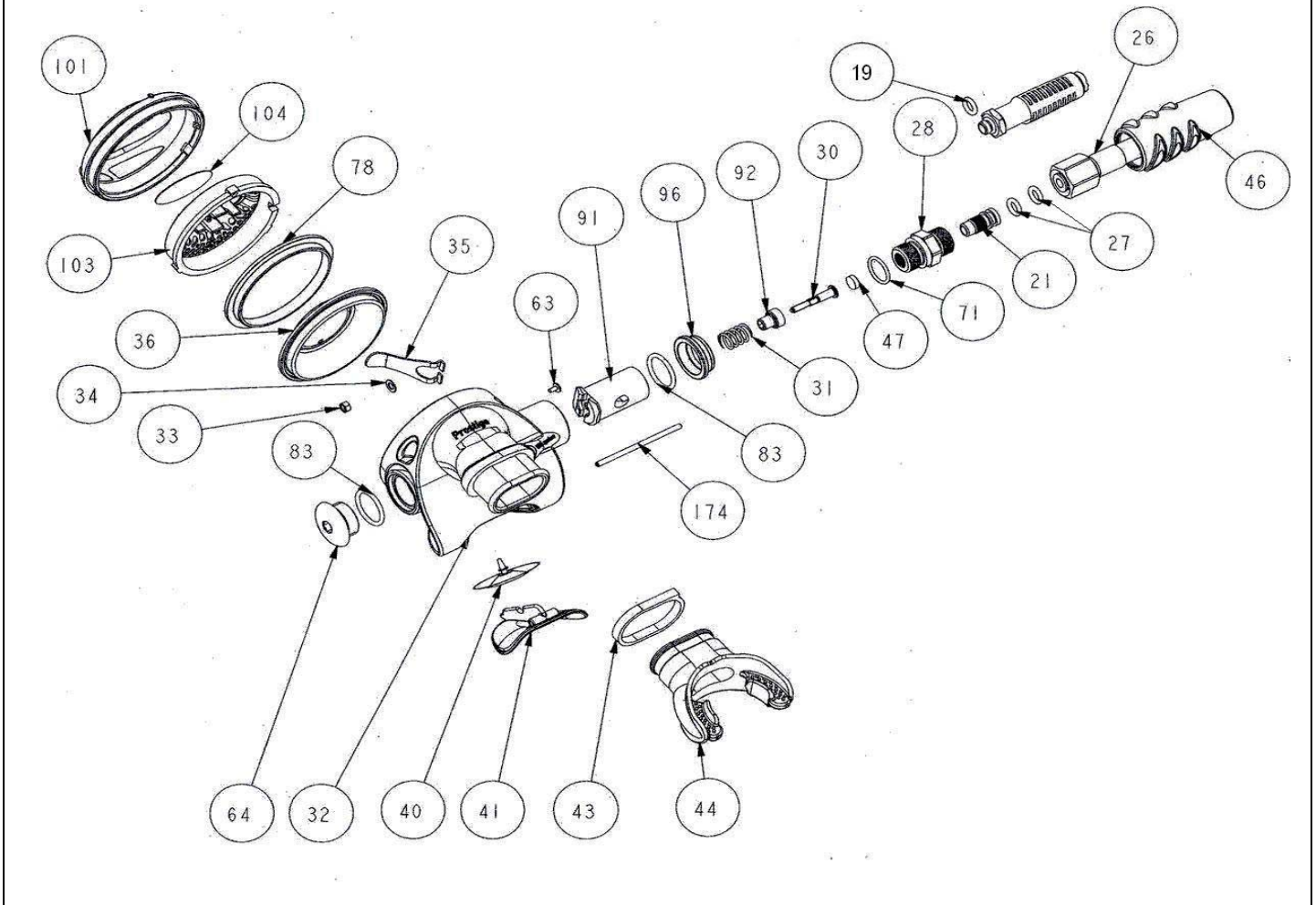


CHART NO : 129

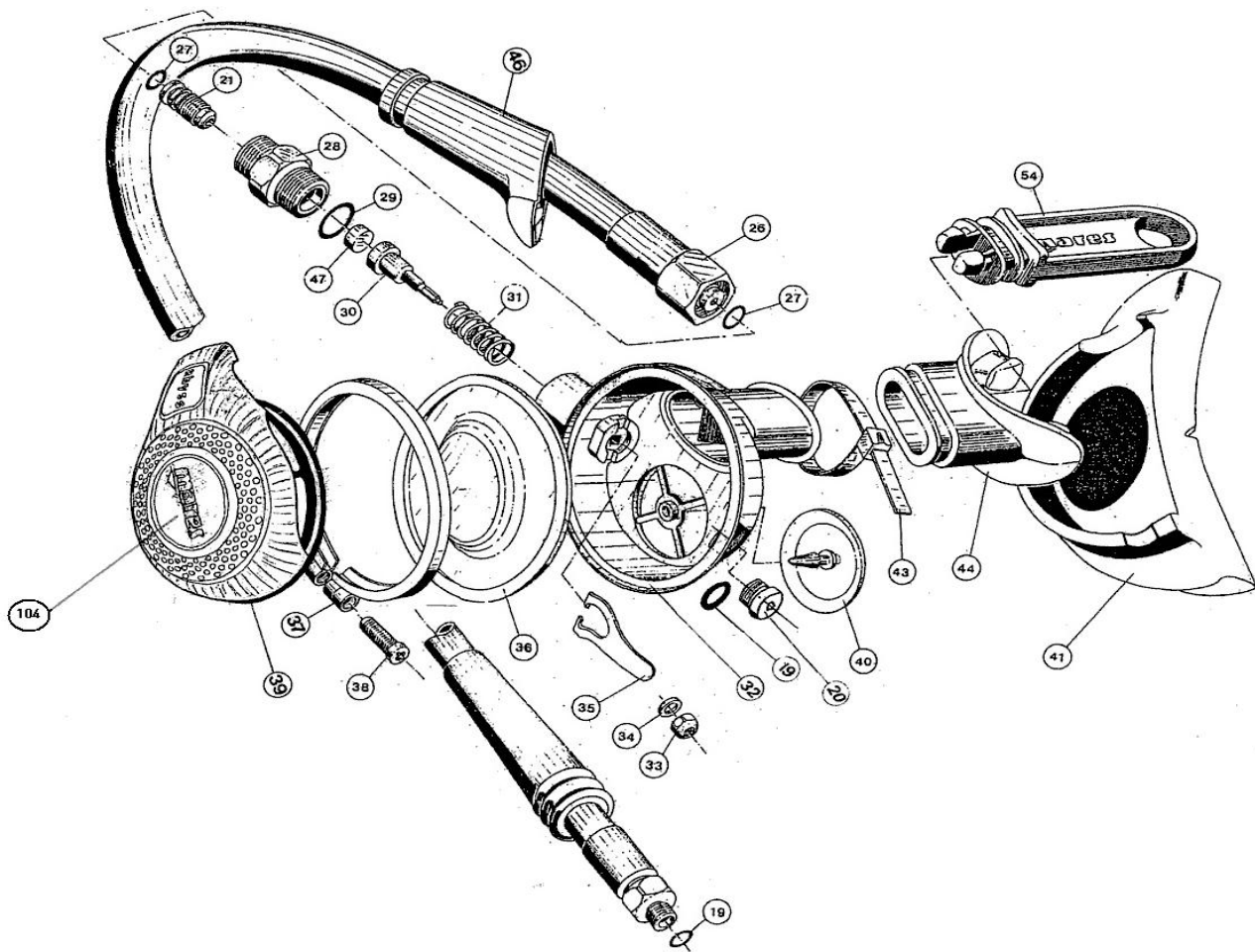
2nd STAGE ABYSS - ABYSS NX - OCT. ABYSS

UPDATED : 22/12/2008

REF	CODE	DESCRIPTION	REF	CODE	DESCRIPTION
19	46110106	OR 106 (For Hose 3/8")	37	46185073	RING CLAMP, 2ND STAGE
19	46110402	OR 106 Viton 610-97507	38	46185075	CLAMP SCREW, II STAGE
19	46110215	OR 2043 (For Hose 1/2")	40	46184006	EXHAUST VALVE, 2ND STAGE
19	46110415	OR 2043 Viton 013-9754	41	46186310	EXHAUST TEE
20	46185204	LP PLUG 3/8"	43	47157984	CLAMP
21	46200204	POPPET SEAT	44	46200855	MOUTHPIECE BK (10 pics)
26	46200882	LP HOSE SFX 1/2" (MR 22)	45	46179902	HOSE PROTECTOR
26	46200881	LP HOSE SFX 3/8" (MR 42)	46	46200846	HOSE PROTECTOR 2nd STG
26	46200885	LP HOSE SFX 3/8" Octopus	47	46184062	POPPET SEAT 2ND STAGE
27	46110205	OR 2025	54	46186090	OCTOPUS PLUG
27	46110411	OR 2025 Viton 010-9754	104a	46200803	STICKER D. 28 ABYSS
28	46184282	HOSE CONNECTOR	104b	46200805	STICKER D. 28 NITROX ABYSS
29	46110211	OR 2050	104c	46200804	STICKER D. 28 OCTOPUS ABYSS
29	46110413	OR 2050 Viton	ASSEMBLIES		
30	46186024	POPPET BODY, 2ND STAGE	39	46200849	COVER ASSY ABYSS 08
31	46185057	POPPET SPRING 2ND STAGE	39	46200851	COVER ASSY ABYSS NX 08
32	46200811	2ND STAGE HOUSING	39	46200850	COVER ASSY ABYSS OCTOPUS 08
33	46185051	LOCKNUT, DEMAND LEVER	***	46186160	SERVICE KIT 2ND STAGE (19-27-29-33-40-43-47)
34	46185049	WASHER, DEMAND LEVER	***	46185166	SERVICE KIT 2ND STAGE NITROX (19-27-29-33-40-43-47)
35	46200777	DEMAND LEVER			
36	46186029	DIAPHRAGM, 2ND STAGE REG.			



REF	CODE	DESCRIPTION		REF	CODE	DESCRIPTION
19	46110106	OR 106		63	46184289	PIN-COVER
19	46110402	OR 106 Viton 610-97507		64	46200772	2nd ST. ADJUSTMENT PLUG
21	46200204	POPPET SEAT		71	46110211	OR 2050
26	46200789	LP HOSE PRESTIGE 3/8 L 800		71	46110413	OR 2050 Viton
26	46200790	LP HOSE PRESTIGE 3/8 L1000 YL		78	46200773	DIAPHRAGM RING PRESTIGE
27	46110205	OR 2025		83	46110225	OR 2068
27	46110411	OR 2025 Viton		83	46110420	OR 2068 Viton
28	46184282	HOSE CONNECTOR		91	46200774	INSERT FOR DEMAND LEVER
30	46184219	POPPET METAL BODY REGS		92	46184221	VALVE BODY, 2ND STAGE
31	46185057	POPPET SPRING 2ND STAGE		96	46200779	SPACER RING BY-PASS BK
32	46200770	CASE 2nd STG PRESTIGE		96	46200782	SPACER RING BY-PASS YL
33	46185051	LOCKNUT, DEMAND LEVER		101	46200775	COVER 2nd STG PRESTIGE
34	46185049	WASHER, DEMAND LEVER		101	46200781	OCTOPUS COVER PRESTIGE
35	46200777	DEMAND LEVER PRESTIGE		103	46200776	BUTTON SND STAGE
36	46200771	DIAPHRAGM PRESTIGE		104	46200794	STICKER
40	46184006	EXHAUST VALVE, 2ND STAGE		174	46200361	EXHAUST PLUG PIN
41	46200769	INSPECTION PLUG		ASSEMBLIES		
43	47157984	CLAMP				
44	46200855	MOUTHPIECE BK (10 pics)		***	46200296	MAINTENANCE KIT REBEL/PRESTIGE
45	46179902	HOSE PROTECTOR				(19- 27- 33 - 40- 43- 47 - 63 - 71-72 - 83)
46	46200768	HOSE PROTECTOR 2nd STG		***	46200297	MAINTENANCE KIT PRESTIGE(Viton O-Rings)
47	46184062	POPPET SEAT 2ND STAGE				(19 -27- 33 -40 - 43 - 47 -63-71- 72- 83)



REF	CODE	DESCRIPTION	REF	CODE	DESCRIPTION
19	46110106	OR 106 (For Hose 3/8")	36	46186029	DIAPHRAGM
19	46110402	OR 106 Viton 610-97507	37	46200896	RING CLAMP, 2ND STAGE
19	46110215	OR 2043 (For Hose 1/2")	38	46200897	CLAMP SCREW, II STAGE
19	46110415	OR 2043 Viton 013-9754	40	46184006	EXHAUST VALVE, 2ND STAGE
20	46200898	LP PLUG" Tfl	41	46186310	EXHAUST TEE
21	46200204	POPPET SEAT	43	47157984	CLAMP
26	46200882	LP HOSE SFX 1/2" Abyss	44	46200855	MOUTHPIECE BK (10 pics)
26	46200885	LP HOSE SFX 3/8" Octopus	45	46179902	HOSE PROTECTOR
27	46110205	OR 2025	46	46200846	HOSE PROTECTOR 2nd STG
27	46110411	OR 2025 Viton 010-9754	47	46184062	POPPET SEAT 2nd STAGE
28	46200627	HOSE CONNECTOR Tfl	104a	46200803	STICKER Abyss
29	46110211	OR 2050	104b	46200804	STICKER Abyss Octopus
29	46110413	OR 2050 Viton			
30	46200894	STEM POPPET ABYSS TFL			ASSEMBLIES
31	46200893	POPPET SPRING 2ND STAGE	39	46200902	COVER ASSEMBLYL. Abyss Extreme
32	46200895	2STG CASE ABYSS EXTREME TFL	***	46200912	SERVICE KIT. 2°nd STAGE Abyss Extreme (19-27-29-33-40-43-47)
33	46200623	LOCKNUT, DEMAND LEVER	***	46185166	SERVICE KIT. 2°nd STAGE. ABYSS Nitrox (VITON O-Ring) (19-27-29-33-40-43-47)
34	46200622	WASHER, DEMAND LEVER			
35	46200777	DEMAND LEVER			

**2nd STAGE PROTON METAL -
OCTOPUS PROTON METAL**

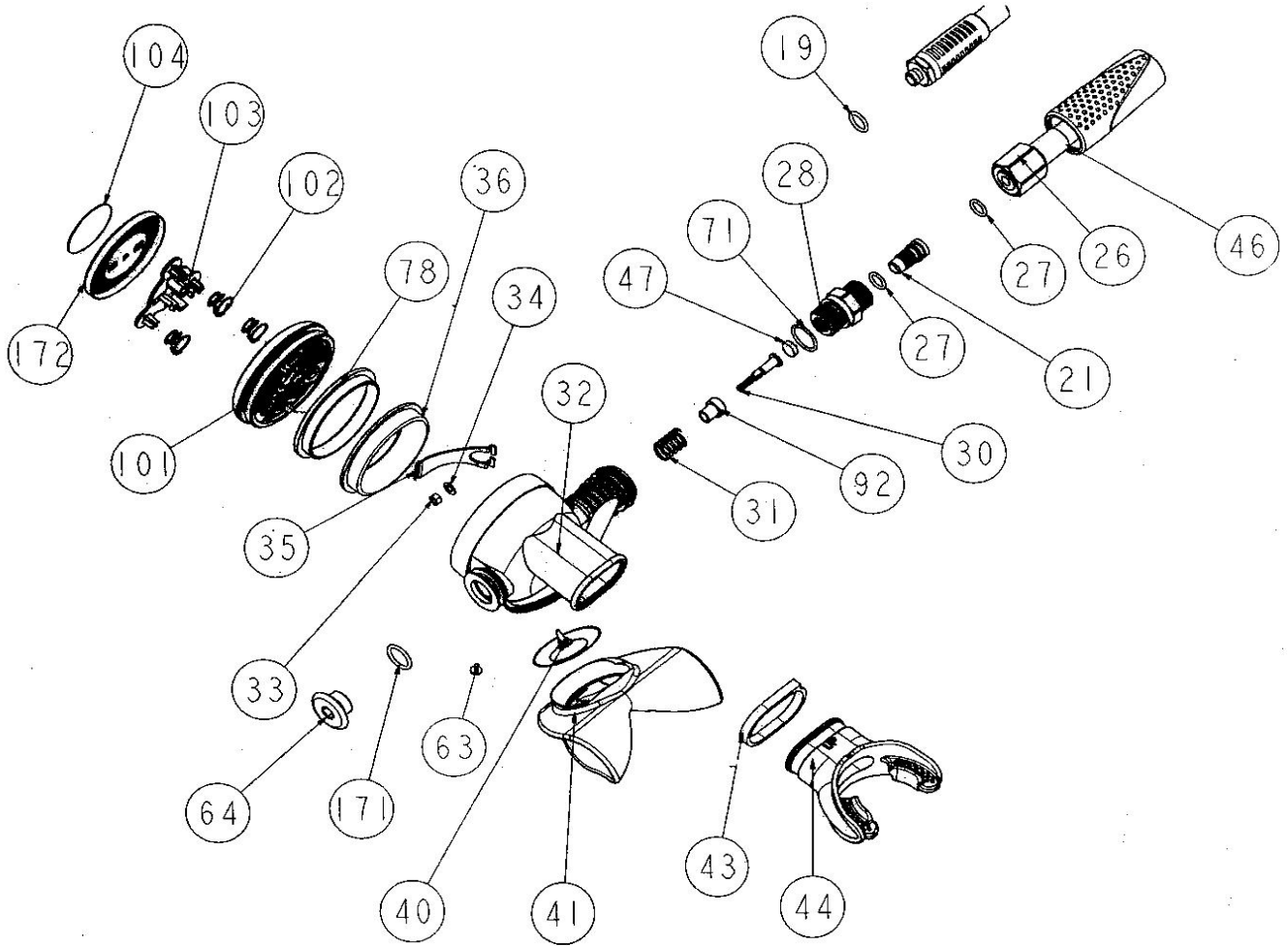
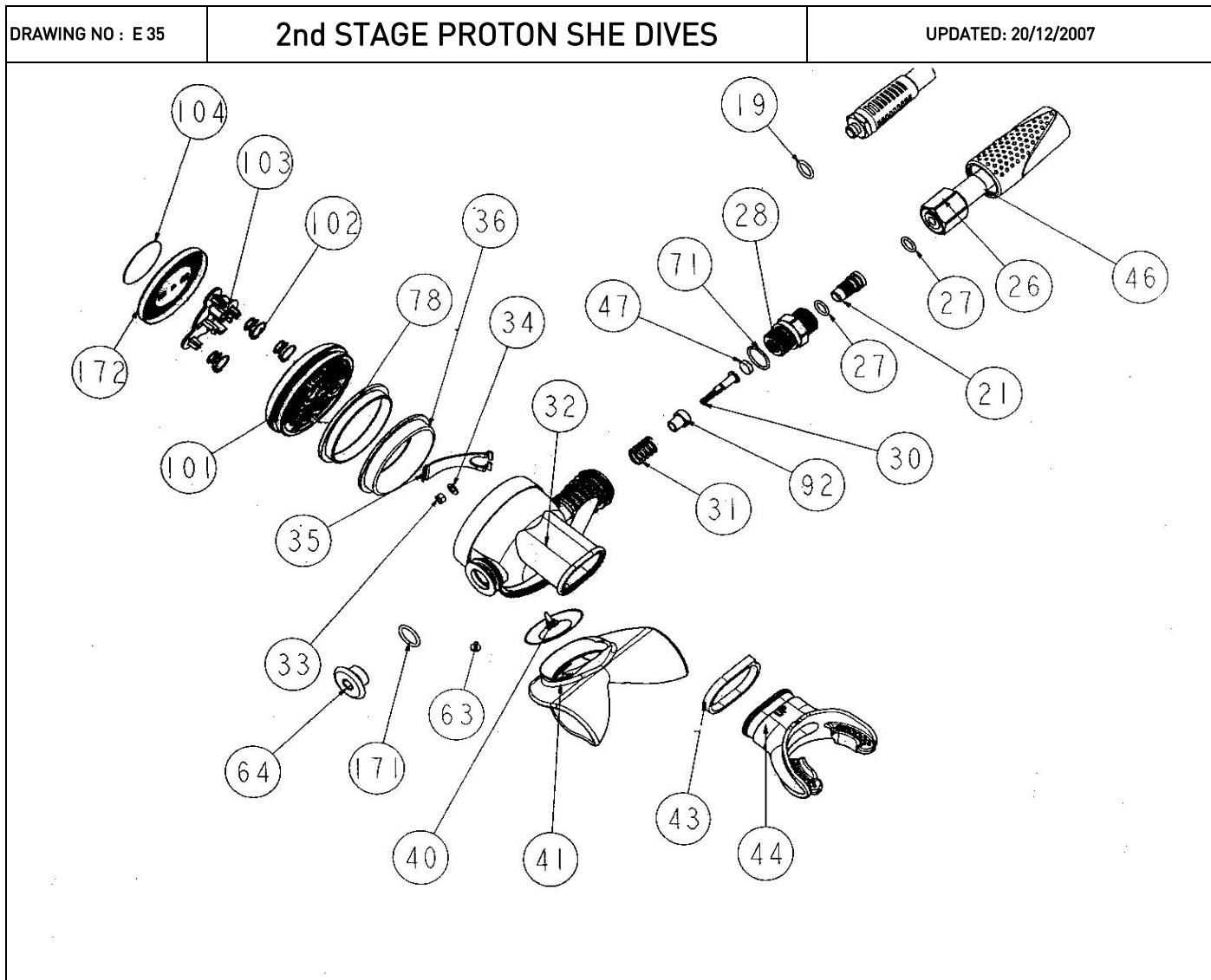
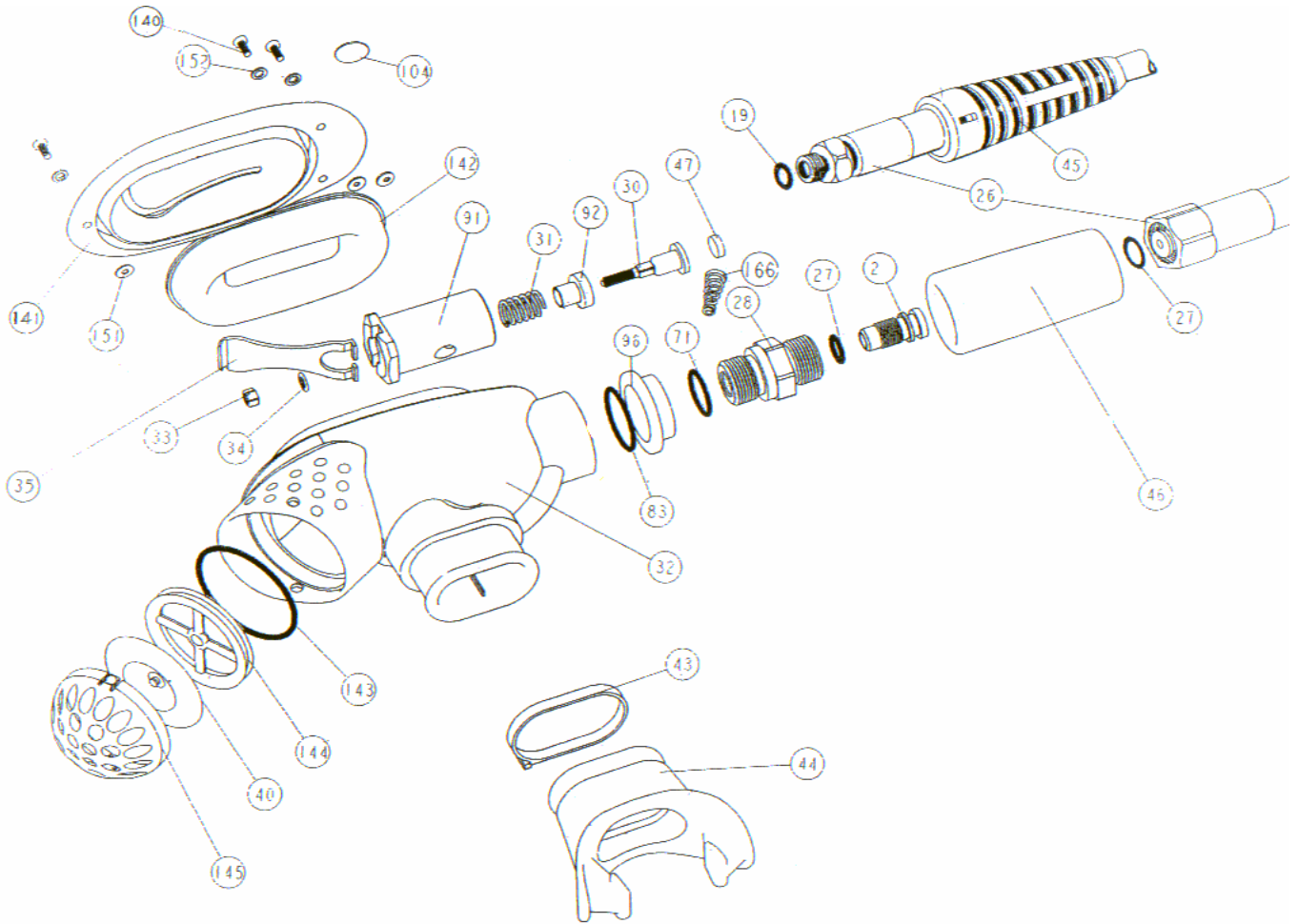


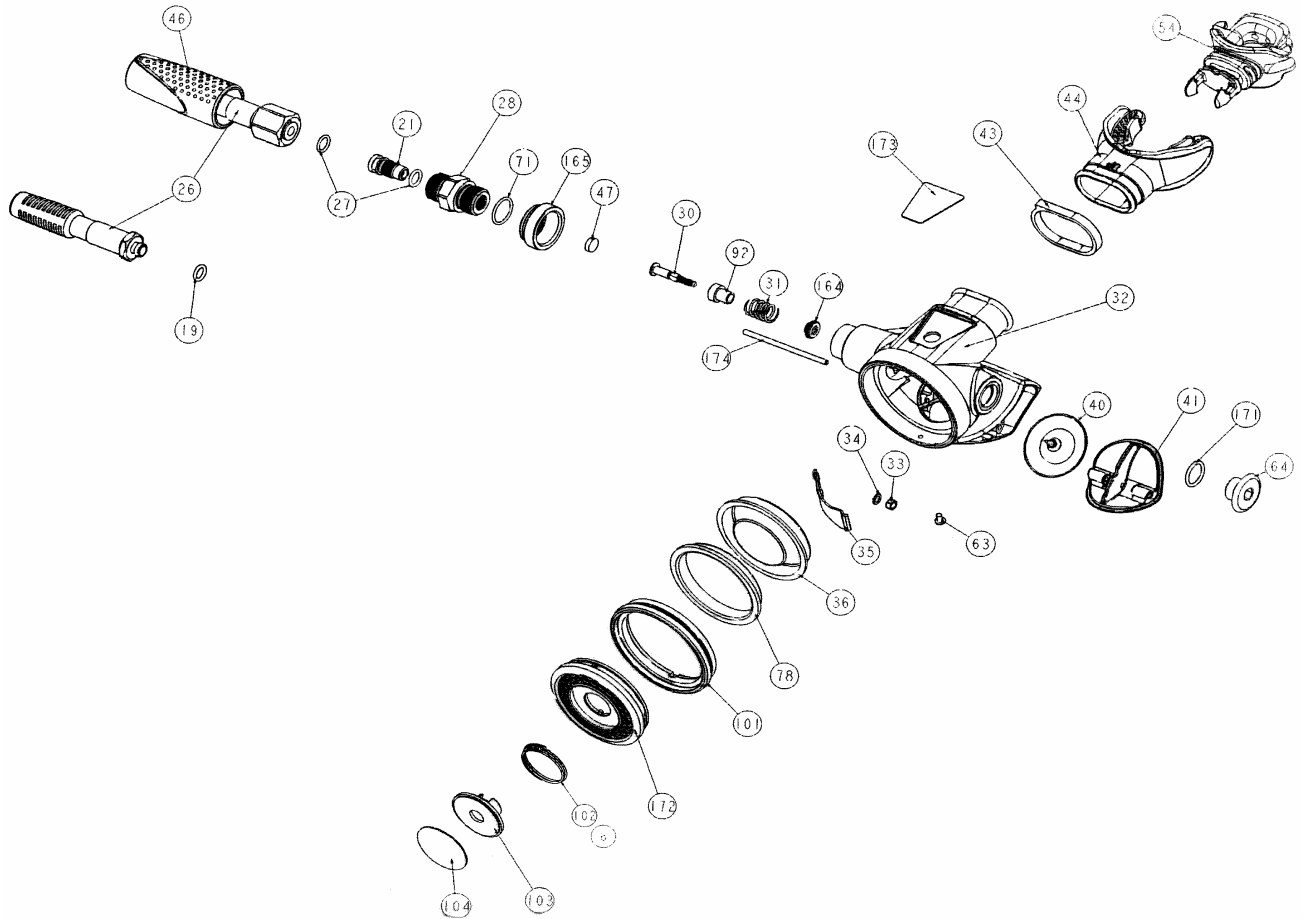
CHART NO : 118			2nd STAGE PROTON METAL - OCTOPUS PROTON METAL			UPDATED: 12/12/2008		
REF	CODE	DESCRIPTION	REF	CODE	DESCRIPTION			
19	46110106	OR 106	63	46184289	PIN, COVER			
19	46110402	OR 106 Viton 610-97507	64	46200322	2nd ST. ADJUSTMENT PLUG			
21	46200204	POPPET SEAT	64	46200460	2nd ST. ADJUSTMENT PLUG (OCTOPUS)			
26	46200880	LP HOSE SFX black 3/8" Proton	71	46110211	OR 2050			
26	46200884	LP HOSE SFX Octopus 3/8"	71	46110413	OR 2050 Viton 014-9707			
27	46110205	OR 2025	78	46200321	RING-DIAPHRAGM			
27	46110411	OR 2025 Viton 010-9707	92	46184221	POPPET BODY			
28	46184282	HOSE CONNECTOR	101	+++	COVER FOR 2° STG PROTON METAL			
30	46184219	POPPET METAL BODY	102	+++	SPRING			
31	46185059	POPPET SPRING	103	+++	COVER BUTTON PROTON ICE			
32	46200524	2nd STAGE CASE, PROTON METAL	104	46200519	LABEL, COVER PROTON METAL			
33	46185051	LOCKNUT, DEMAND LEVER 2ND STAGE	171	46110110	OR 2037			
34	46185049	WASHER, DEMAND LEVER	171	46200298	OR 2037 Viton			
35	46187027	DEMAND LEVER, TEFLON COATED	172	+++	FRONTAL PROTON METAL			
36	46200311	DIAPHRAGM 2ND STAGE	ASSEMBLIES					
40	46184006	EXHAUST VALVE	+++	46200525	GRID COVER ASSY, PROTON METAL			
41	46200521	EXHAUST TEE			[101 - 102 - 103 - 104 - 172]			
43	47157984	CLAMP	***	46200409	SERVICE KIT, 2nd STAGE Proton series			
44	46200855	MOUTHPIECE BK (10 pics)			(19 - 27 - 33 - 40 - 43 - 47 - 71 - 171)			
46	46200323	HOSE PROTECTOR	***	46200408	SERVICE KIT, 2nd STAGE NX Proton series			
47	46184062	POPPET SEAT			(19 - 27 - 33 - 40 - 43 - 47 - 71 - 171)			



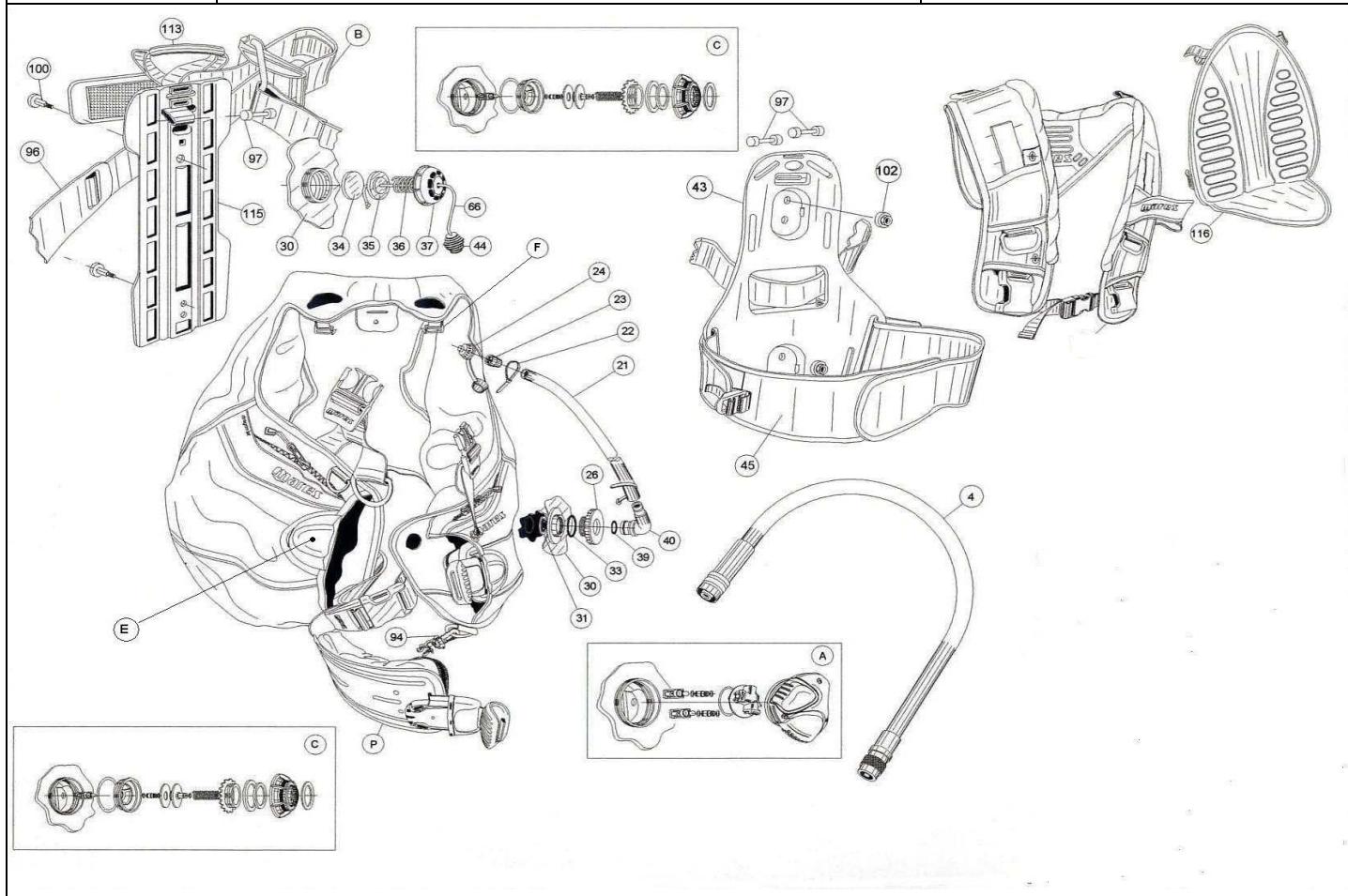
DRAWING NO : E 35		2nd STAGE PROTON SHE DIVES		UPDATED: 20/12/2007		
CHART NO : 125		2nd STAGE PROTON SHE DIVES		UPDATED: 22/12/2008		
REF	CODE	DESCRIPTION		REF	CODE	DESCRIPTION
19	46110106	OR 106		63	46184289	PIN, COVER
19	46110402	OR 106 Viton 610-97507		64	46200322	2nd ST. ADJUSTMENT PLUG
21	46200204	POPPET SEAT		71	46110211	OR 2050
26	46200880	LP HOSE SFX proton		71	46110413	OR 2050 Viton 014-9707
27	46110205	OR 2025		78	46200321	RING-DIAPHRAGM
27	46110411	OR 2025 Viton 010-9707		92	46184221	POPPET BODY
28	46184282	HOSE CONNECTOR		101	+++	COVER FOR 2° STG PROTON ICE
30	46184219	POPPET METAL BODY		102	+++	SPRING
31	46185059	POPPET SPRING		103	+++	COVER BUTTON PROTON ICE
32	46200524	2nd STAGE CASE, PROTON METAL		104	46200724	LABEL, COVER PROTON SHE DIVES
33	46185051	LOCKNUT, DEMAND LEVER 2ND STAGE		171	46110110	OR 2037
34	46185049	WASHER, DEMAND LEVER		171	46200298	OR 2037 Viton
35	46187027	DEMAND LEVER, TEFLON COATED		172	+++	FRONTAL PROTON ICE
36	46200311	DIAPHRAGM 2ND STAGE		ASSEMBLIES		
40	46200236	EXHAUST VALVE		+++	46200725	COVER ASSEMBLY, PROTON SHE DIVES [101 - 102 - 103 - 104 - 172]
41	46200456	EXHAUST TEE		***	46200409	SERVICE KIT, PROTON SERIES [19 - 27 - 33 - 40 - 43 - 47 - 71 - 171]
43	46200458	CLAMP		***	46200408	SERVICE KIT VITON, PROTON SERIES [19 - 27 - 33 - 40 - 43 - 47 - 71 - 171]
44	46200459	MOUTHPIECE				
46	46200323	HOSE PROTECTOR				
47	46184062	POPPET SEAT				



REF	CODE	DESCRIPTION	REF	CODE	DESCRIPTION
19	46110106	O RING 106	83	46110420	OR 2068 Viton
19	46110402	O RING 106 VITON	91	46187033	POPPET HOUSING
21	46200204	POPPET SEAT 2ND STAGE	92	46184221	VALVE BODY 2ND STAGE
26	46200452	SOFT HOSE yellow 3/8" L1000	96	46187038	LOCK RING
27	46110205	O RING 2025	104	46200687	MARES OVAL LABEL - 17,5 mm
27	46110411	OR 2025 Viton	140	46187004	SCREW M 2X5 DIN 7985-A4
28	46184282	HOSE CONNECTOR	141	46187028	COVER MV YELLOW
30	46184219	POPPET METAL BODY REGS	142	46187009	OVAL DIAPHRAGM
31	46185059	SPRING REGULATOR 2ND STAGE	143	46110175	O RING 2125
32	°°°	2° STAGE CASE OCTOPUS MV	143	46110430	OR 2125 Viton
33	46185051	LOCKNUT DEMAND LEVER	144	46187025	EXHAUST VALVE SEAT
34	46185049	WASHER DEMAND LEVER	145	46187024	EXHAUST VALVE GRID YELLOW
35	46187027	DEMAND LEVER	151	46187008	WHITE WASHER 1,8X5X0,5
40	46184006	EXHAUST VALVE	152	46187005	FLAT WASHER UNI 6592 D 4,5
43	47157984	MOUTHPIECE CLAMP	166	46200179	CONICAL SPRING, REG.
44	46200855	MOUTHPIECE BK (10 pics)	ASSEMBLIES		
45	46200323	HOSE PROTECTOR 2ND STAGE	°°°	46200780	2° STAGE CASE MV (32-166)
46	46179902	HOSE PROTECTOR 1ST STAGE	***	46186090	OCTOPUS PLUG
47	46184062	POPPET SEAT	***	46187222	SERVICE KIT 2ND STAGE MV
71	46110211	O RING 2050			[19-27-33-40-43-47-71-83-143]
71	46110413	O RING 2050 Viton	***	46187223	SERVICE KIT VITON O-RING MV
83	46110225	O RING 2068			[19-27-33-40-43-47-71-83-143]



REF	CODE	DESCRIPTION	REF	CODE	DESCRIPTION
19	46110106	OR 106	71	46110211	OR 2050
19	46110402	OR 106 Viton 610-97507	71	46110413	OR 2050 Viton 014-9707
21	46200204	POPPET SEAT	78	46200321	RING-DIAPHRAGM
26	46200452	SOFT HOSE yellow 3/8" 1000	92	46184221	POPPET BODY
27	46110205	OR 2025	101	+++	COVER RING
27	46110411	OR 2025 Viton 010-9707	102	+++	SPRING, REG.PURGE BUTTON
28	46184282	HOSE CONNECTOR	103	+++	BUTTON FOR COVER
30	46184219	POPPET METAL BODY REGS 2ND STAGE	104	46200339	PURGE BUTTON LABEL
31	46185059	POPPET SPRING	164	---	WASHER
32	S	2° STAGE CASE	165	46200334	SPACER RING
33	46185051	LOCKNUT, DEMAND LEVER 2ND STAGE	171	46110110	OR 2037
34	46185049	WASHER, DEMAND LEVER II STAGE REG	171	46200298	OR 2037 Viton
35	46187027	TEFLON LEVER 2ND ST	172	+++	RUBBER COVER 2° ST PROTON OCTOPUS
36	46200311	DIAPHRAGM 2ND STAGE	173	46200340	LABEL CASE PROTON
40	46184006	EXHAUST VALVE, 2ND STAGE	174	46200361	EXHAUST PLUG PIN
41	46200315	INSPECTION PLUG Proton	ASSEMBLIES		
43	47157984	CLAMP	S	46200526	CASE ASSY, P.F. OCT PROTON (32-164-165)
44	46200855	MOUTHPIECE BK (10 pics)	+++	46200413	COVER ASSY, OCTOPUS PROTON (101 - 103 - 104 - 172)
46	46200323	HOSE PROTECTOR	+++	46200409	SERVICE KIT 2ND STAGE PROTON SERIES (19 - 27 - 33 - 40 - 43 - 47 - 63 - 71 - 171)
47	46184062	POPPET SEAT	+++	46200408	SERVICE KIT VITON PROTON SERIES (19 - 27 - 33 - 40 - 43 - 47 - 63 - 71 - 171)
54	46186090	OCTOPUS PLUG			
63	46184289	PIN-COVER			
64	46200322	CASE REGULATING PLUG			



REF	CODE	DESCRIPTION	REF	CODE	DESCRIPTION
4	47159681	INT HOSE, LP INFLATOR	94	47159003	HOSE RETAINER CLIP
21	x x x	LP INTERNAL PIPE 10x14 cm50	96	47159311	RUBBER EXTRUSION,TANK BAND
22	45179863	HOSE CLAMP 3.6 x 200	97	47159293	SCREW, TANK BAND
23	46200016	VALVE HALKEY ROBERTS 730 ROA	100	47158522	SCREW M 6 x 20
24	46200017	DUST CAP, VALVE Halkey Robert	102	47159748	FLANGED NUT M6
26	x x x	FLANGE FOR SWIVEL ELBOW H.U.B.	113	47159609	HANDLE, BACK PACK
30	N.D.	BLADDER (Tg XS - XL)	115	47159160	COUNTER BACK PACK
31	47158708	RETAINING RING DIN 471 D. 18	116	47200797	BACK ACK PADDING
33	47110271	O-Ring 3100	156	47200862	SHOULDER STRAP BIG
34	47159125	SEAL, OVERPRESSURE VALVE	156	47200863	SHOULDER STRAP SMALL
35	47159054	SEAT DISC, OVERPRESSURE VALVE	ASSEMBLIES		
36	47159150	SPRING, RAPID EXHAUST VALVE	A	-----	AIRTRIM CONTROL ASSEMBLY
37	47159056	CAP, O P VALVE			(Tab. N°253 dis n° J105)
39	46110210	O-RING 2056	B	47159295	TANK BAND ASSEMBLY - SINGLE TANK
40	x x x	SWIVELLING ELBOW	C	-----	AIR DUMP VALVE ASSY
43	47200219	BACK PACK			(Tab. n° 254 dis. N° J106)
44	47159136	PULL KNOB R.E.VALVE	x x x	47200376	ORAL INFLATOR ASSEMBLY
45	47200857	WAIST BAND DRAGON A.T. XS			(21 - 22 - 23 - 26 - 31 - 33 - 39 - 40)
45	47200858	WAIST BAND DRAGON A.T. S	P	417954	Kit Mrs Plus big (M-L-XL)
45	47200859	WAIST BAND DRAGON A.T. M	P	417955	Kit Mrs Plus small (XS-S)
45	47200860	WAIST BAND DRAGON A.T. L	x x x	47159058	RAPID EXHAUST KIT (34-35-36-37-42-66)
45	47200861	WAIST BAND DRAGON A.T. XL	E	47200925	PLATE/BUCKLE KIT MRS PLUS
66	43169822	LINE, BLACK, DIAM. 1,75	F	47159302	LL 25 BLACK ACETALIC

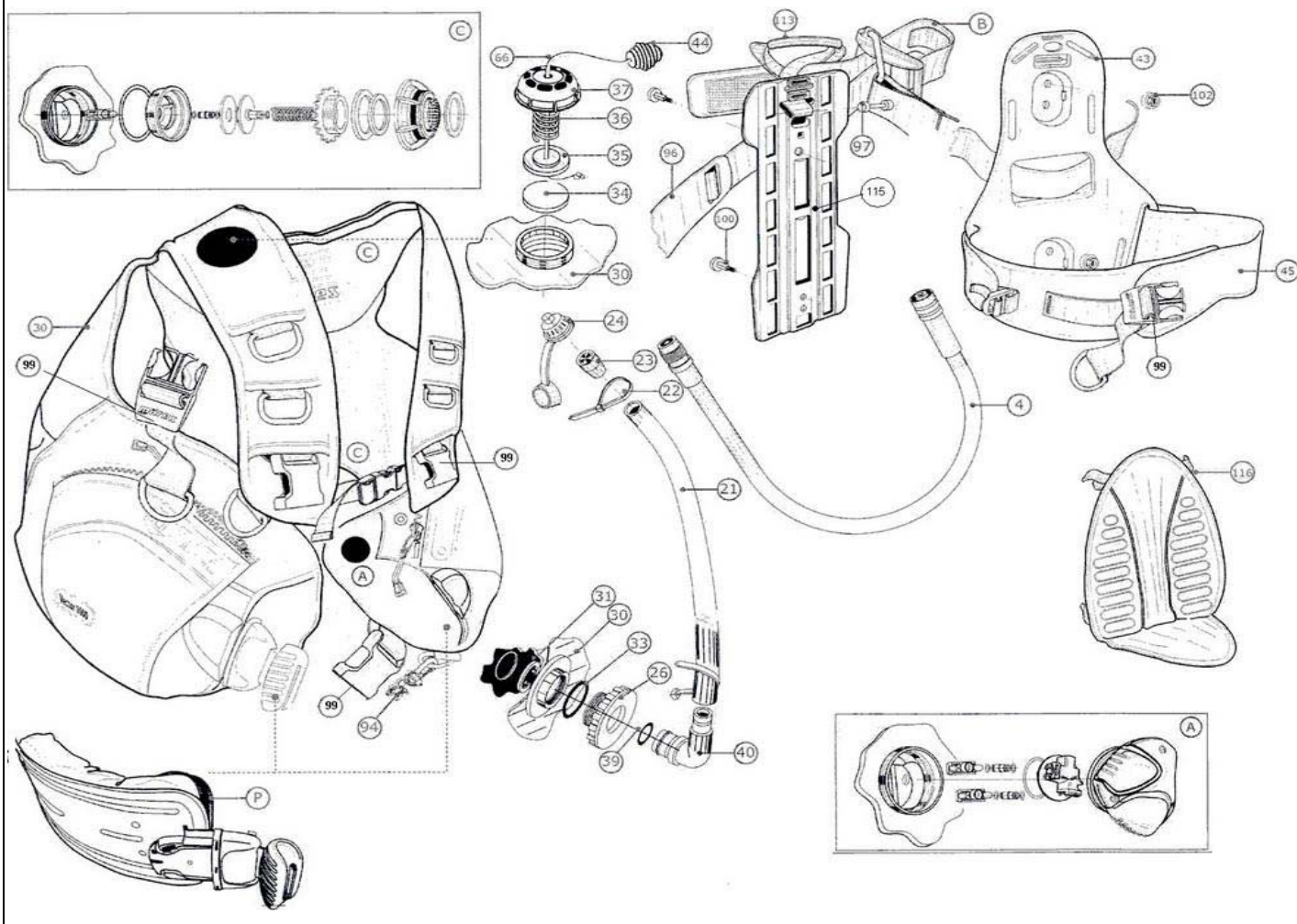


CHART NO : 273

B.C.VEST VECTOR 1000 AT

UPDATED: 22/12/2008

REF	CODE	DESCRIPTION	REF	CODE	DESCRIPTION
4	47159681	INT HOSE, LP INFLATOR	66	43169822	LINE, BLACK, DIAM. 1,75
21	xxx	LP INTERNAL PIPE 10x14 cm50	96	47159311	RUBBER EXTRUSION, TANK BAND
22	45179863	HOSE CLAMP 3.6 x 200	97	47159293	SCREW, TANK BAND
23	46200016	VALVE HALKEY ROBERTS 730 ROA	100	47158522	SCREW M 6 x 20
24	46200017	DUST CAP, VALVE Halkey Robert	102	47159748	FLANGED NUT M6
26	xxx	FLANGE FOR SWIVEL ELBOW H.U.B.	113	47159609	HANDLE, BACK PACK
30	N.D.	BLADDER (Tg XS - XL)	115	47159160	COUNTER BACK PACK
31	47158708	RETAINING RING DIN 471 D. 18	116	47200797	BACK ACK PADDING
33	47110271	O-Ring 3100			ASSEMBLIES
34	47159125	SEAL, OVERPRESSURE VALVE			
35	47159054	SEAT DISC, OVERPRESSURE VALVE	94	415157	HOSE RETAINER CLIP ASSY
36	47159150	SPRING, RAPID EXHAUST VALVE	A	-----	AIRTRIM CONTROL ASSEMBLY
37	47159056	CAP, O P VALVE			(Tab. N°253 dis n° J105)
39	46110210	O-RING 2056	B	47159295	TANK BAND ASSEMBLY - SINGLE TANK
40	xxx	SWIVELLING ELBOW	C	-----	AIR DUMP VALVE ASSY
43	47200219	BACK PACK			(Tab. n° 254 dis. N° J106)
44	47159136	PULL KNOB R.E.VALVE BLACK	xxx	47200376	ORAL INFLATOR ASSEMBLY
45	47200857	WAIST BAND DRAGON A.T. XS			(21 - 22 - 23 - 26 - 31 - 33 - 39 - 40)
45	47200858	WAIST BAND DRAGON A.T. S			47159058
45	47200859	WAIST BAND DRAGON A.T. M			RAPID EXHAUST KIT BC.VEST
45	47200860	WAIST BAND DRAGON A.T. L			(34-35-36-37-42-66)
45	47200861	WAIST BAND DRAGON A.T. XL	E	47200925	MRS PLUS, PLATE/BUCKLE KIT

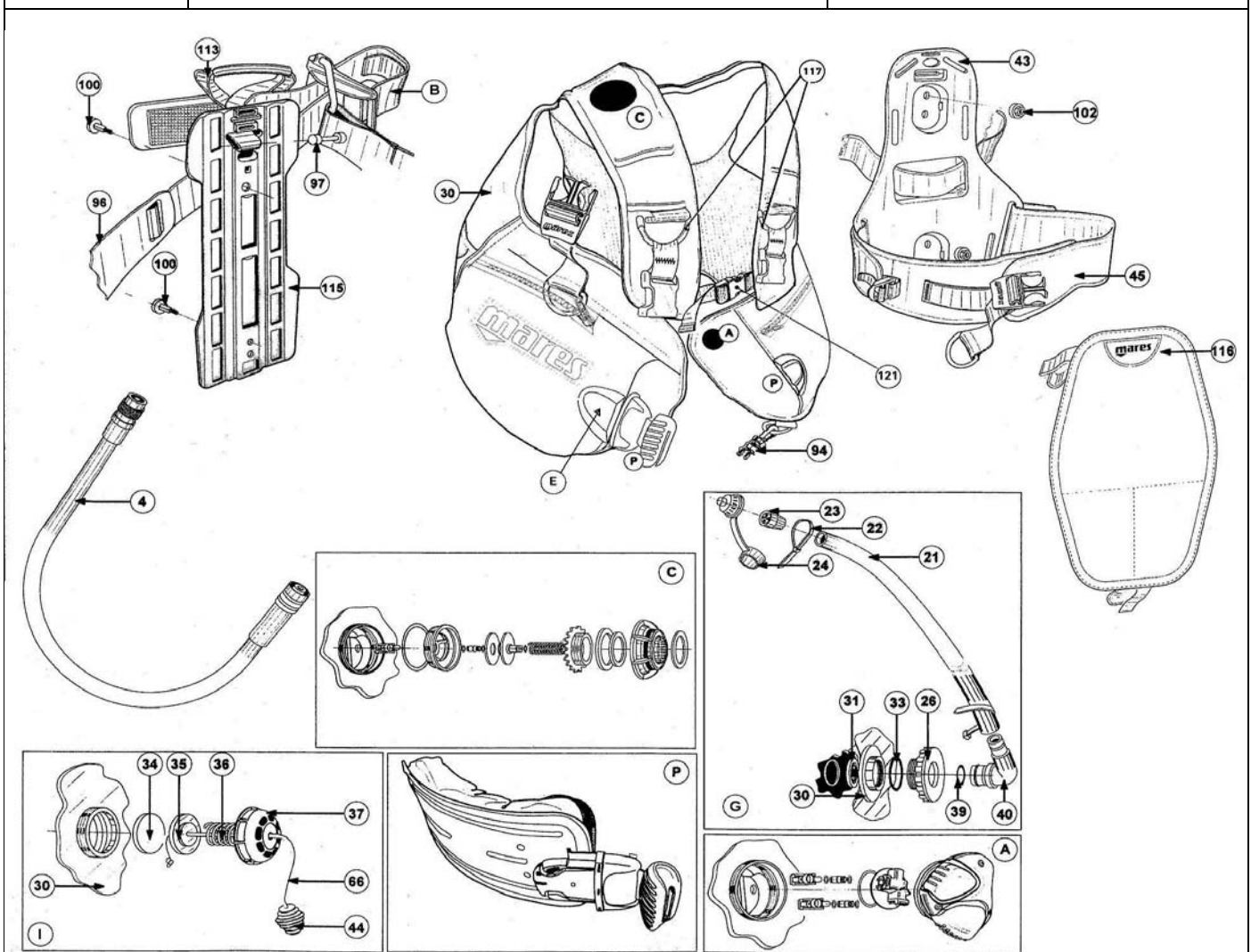


CHART NO : 274

B.C.VEST ORIGIN SPORT AT

UPDATED: 22/12/2008

REF	CODE	DESCRIPTION	REF	CODE	DESCRIPTION
4	47159681	INT HOSE, LP INFLATOR	96	47159311	RUBBER EXTRUSION, TANK BAND
21	xxx	LP INTERNAL PIPE 10x14 cm50	97	47159293	SCREW, TANK BAND
22	45179863	HOSE CLAMP 3.6 x 200	98	47158567	BUCKLE D.R. 40 F DWSR
23	46200016	VALVE HALKEY ROBERTS 730 ROA	98	47158566	BUCKLE D.R. 40 M DWSR
24	46200017	DUST CAP, VALVE Halkey Robert	100	47158522	SCREW M 6 x 20
26	xxx	FLANGE FOR SWIVEL ELBOW H.U.B.	102	47159748	FLANGED NUT M6
30	N.D.	BLADDER (Tg XS - XL)	113	47159609	HANDLE, BACK PACK
31	47158708	RETAINING RING DIN 471 D. 18	115	47159160	COUNTER BACK PACK
33	47110271	O-Ring 3100	116	47200477	BACK PACK PADDING
34	47159125	SEAL, OVERPRESSURE VALVE	117	47200906	OPENED D-RING 50 MM
35	47159054	SEAT DISC, OVERPRESSURE VALVE	121	47200933	KIT STERNAL STRAP
36	47159150	SPRING, RAPID EXHAUST VALVE	ASSEMBLIES		
37	47159056	CAP, O P VALVE	94	415157	HOSE RETAINER CLIP ASSY
39	46110210	O-RING 2056	A	-----	AIRTRIM CONTROL ASSEMBLY (Tab. N°253 dis n° J105)
40	xxx	SWIVELLING ELBOW	B	47159295	TANK BAND ASSEMBLY - SINGLE TANK
43	47200219	BACK PACK	C	-----	AIR DUMP VALVE ASSY (Tab. n° 254 dis. N° J106)
44	47159136	PULL KNOB R.E. VALVE BC. VEST BLACK	G	47200376	ORAL INFLATOR ASSEMBLY (21 - 22 - 23 - 26 - 31 - 33 - 39 - 40)
45	47200937	WAIST BAND ORIGIN SPORT XS	I	47159058	RAPID EXHAUST KIT BC.VEST (34-35-36-37-42-66)
45	47200943	WAIST BAND ORIGIN SPORT. S	E	47200925	MRS PLUS, PLATE/BUCKLE KIT
45	47200944	WAIST BAND ORIGIN SPORT M			
45	47200945	WAIST BAND ORIGIN SPORT. L			
45	47200946	WAIST BAND ORIGIN SPORT XL			
66	43169822	LINE, BLACK, DIAM. 1,75			

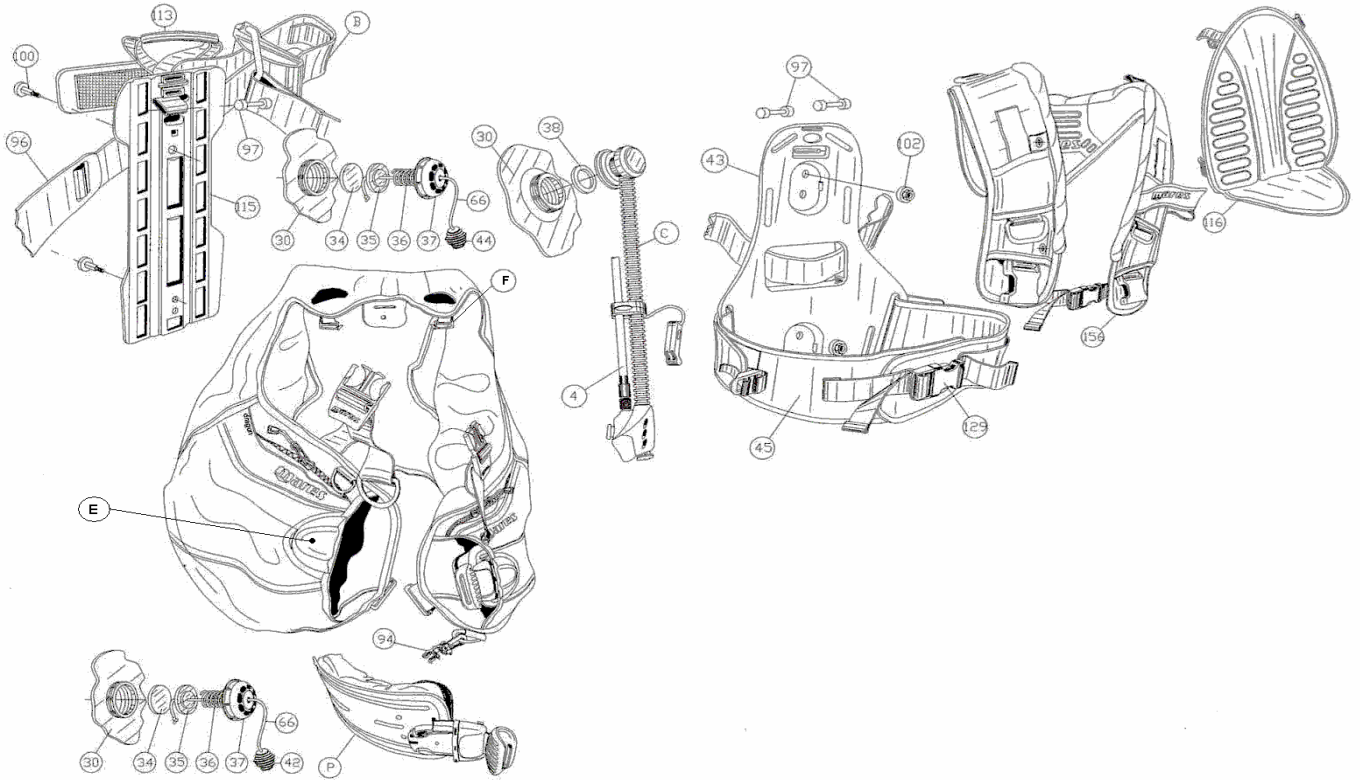


CHART NO : 267

B.C.VEST DRAGON

UPDATED : 22/12/2008

REF	CODE	DESCRIPTION	REF	CODE	DESCRIPTION
4	47159681	INT HOSE, LP INFLATOR	97	47159293	SCREW, TANK BAND
30	N.D.	BLADDER (Tq XS - XL)	100	47158522	SCREW M 6 x 20
34	47159125	SEAL, OVERPRESSURE VALVE	102	47159748	FLANGED NUT M6
35	47159054	SEAT DISC, OVERPRESSURE VALVE	116	47200797	BACK ACK PADDING
36	47159150	SPRING, RAPID EXHAUST VALVE	113	47159609	HANDLE, BACK PACK
37	47159056	CAP, O P VALVE	115	47159160	COUNTER BACK PACK
38	47159124	SEAL, CONNECTING LOCKNUT	129	47158561	BUCKLE, DOUBLE REG. 50 F
42	47158505	PULL KNOB GREY	129	47158560	BUCKLE, DOUBLE REG. 50 M
43	47200219	BACK PACK	156	47200879	SHOULDER STRAP SMALL
44	47159136	PULL KNOB R.E.VALVE BLACK	156	47200880	SHOULDER STRAP BIG
45	47200881	WAIST BAND DRAGON XS	ASSEMBLIES		
45	47200882	WAIST BAND DRAGON S	B	47159295	TANK BAND ASSEMBLY - SINGLE TANK
45	47200883	WAIST BAND DRAGON M	C	47159729	ERGO INFLATOR ASSY, LONG ref chart 255
45	47200884	WAIST BAND DRAGON L	xxx	47159058	RAPID EXHAUST KIT BC.VEST
45	47200885	WAIST BAND DRAGON XL			(34-35-36-37-42-66)
66	43169822	LINE, BLACK, DIAM. 1,75	E	47200925	MRS PLUS, PLATE/BUCKLE KIT
96	47159311	RUBBER EXTRUSION,TANK BAND	F	47159302	LL 25 BLACK ACETALIC

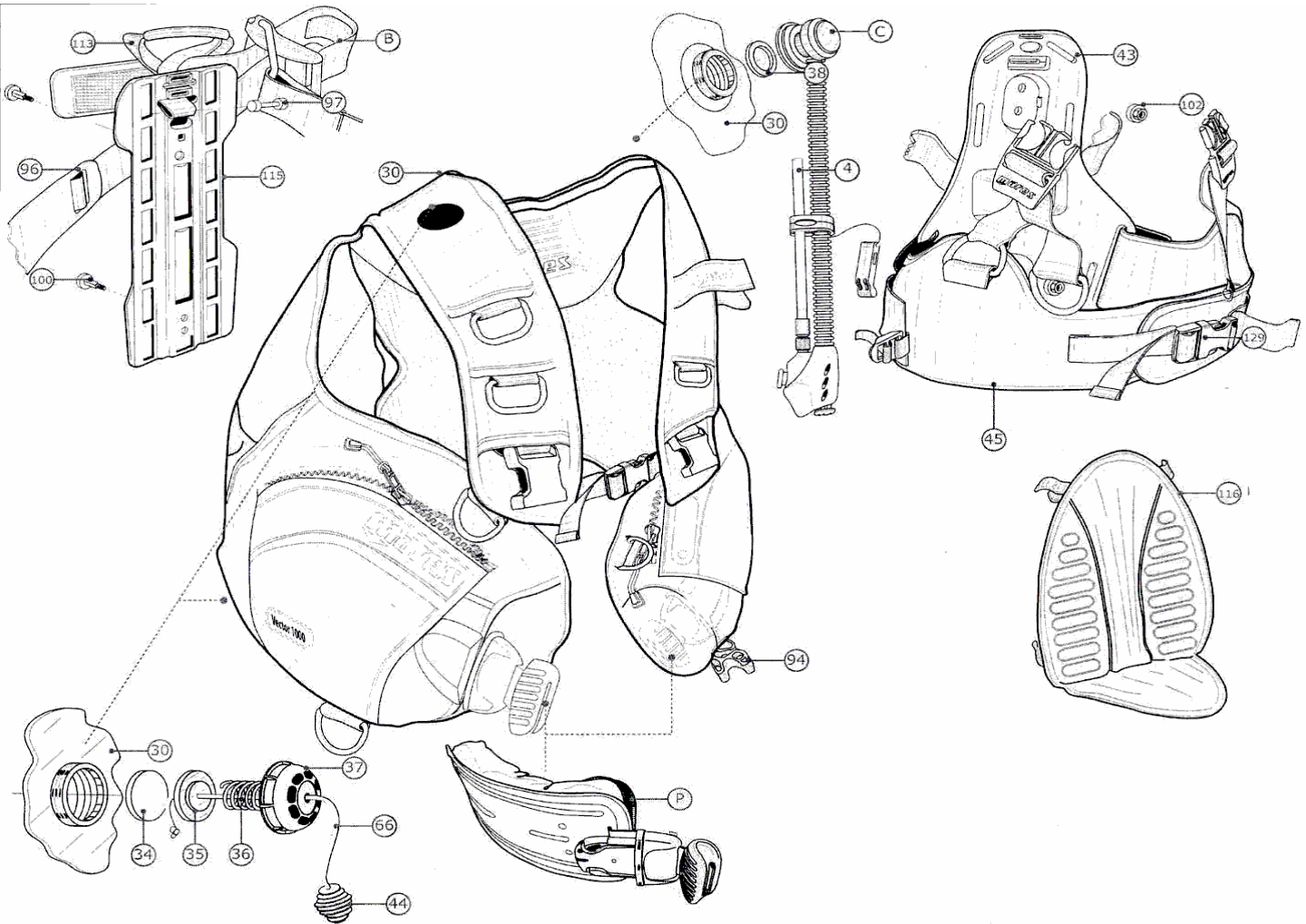


CHART NO : 265

B.C.VEST VECTOR 1000

UPDATED : 22/12/2008

REF	CODE	DESCRIPTION	REF	CODE	DESCRIPTION
4	47159681	INT HOSE, LP INFLATOR	97	47159293	SCREW TANK BAND
30	N.D.	BLADDER (Tg XS - XL)	100	47158522	SCREW M6 X 20
34	47159125	SEAL, OVERPRESS. VALVE, B.C.V.	102	47159748	FLANGED NUT M6
35	47159054	SEAT DISC, OP VALVE B.C.VEST	113	47159609	HANDLE, BACK PACK
36	47159150	SPRING, RAPID EXHAUST VALVE	115	47159160	COUNTER BACK PACK
37	47159056	CAP, O.P.VALVE, B.C.VEST	116	47200797	BACK PACK PADDING
38	47159124	SEAL, CONNECTING LOCKNUT B.C.	129	47158561	BUCKLE, DOUBLE REG. 50 F
43	47200219	BACK PACK	129	47158560	BUCKLE, DOUBLE REG. 50 M
44	47158505	PULL KNOB	ASSEMBLIES		
45	47200881	WAISTBAND XS	94	415157	HOSE RETAINER CLIP ASSY
45	47200882	WAISTBAND S	B	47159295	TANK BAND ASSEMBLY - SINGLE TANK
45	47200883	WAISTBAND M	C	47159729	ERGO INFLATOR ASSY, LONG ref chart 255 (Chart N°255 - Draw. N°J107)
45	47200884	WAISTBAND L	E	47200925	MRS PLUS, PLATE/BUCKLE KIT
45	47200885	WAISTBAND XL		47159058	RAPID EXHAUST KIT BC.VEST (34-35-36-37-42-66)
66	43169822	LINE, BLACK, DIAM. 1,75			
96	47159311	RUBBER EXTRUSION,TANK BAND,BC			

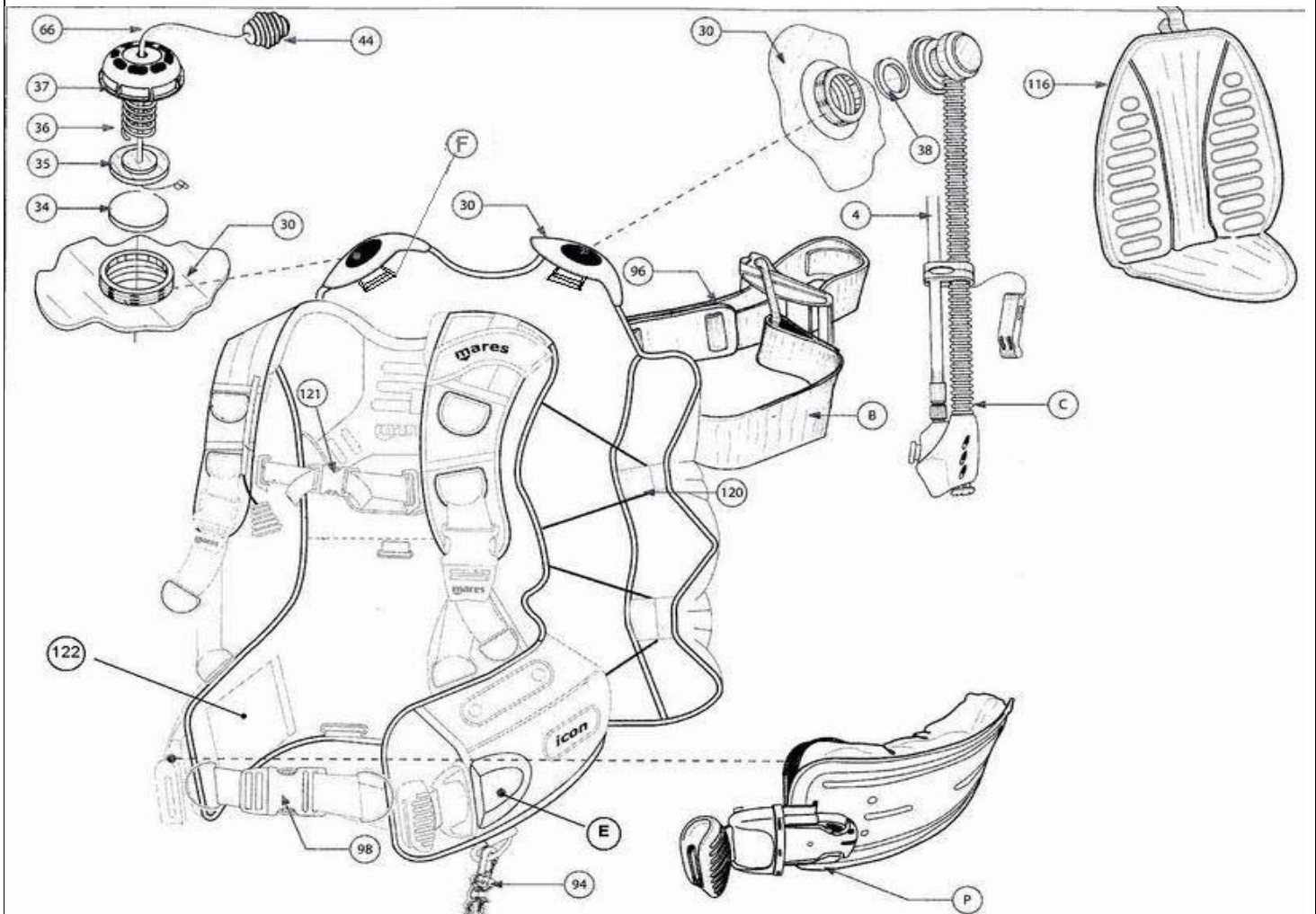


CHART NO : 270

B.C.VEST ICON

UPDATED : 22/12/2008

REF	CODE	DESCRIPTION	REF	CODE	DESCRIPTION
4	47159681	INT HOSE, LP INFLATOR	98	47158560	BUCKLE, DOUBLE REG. 50 M
30	47200934	BLADDER	116	47200930	BACK PACK PADDING
34	47159125	SEAL, OVERPRESS. VALVE, B.C.V.	120	47200932	SLINGS
35	47159054	SEAT DISC, OP VALVE B.C.VEST	121	47200933	STERNAL STRAP KIT
36	47159150	SPRING, RAPID EXHAUST VALVE	122	N/D	ICON STRUCTURE
37	47159056	CAP, O.P.VALVE, B.C.VEST	ASSEMBLIES		
38	47159124	SEAL, CONNECTING LOCKNUT B.C.	B	47159295	TANK BAND ASSEMBLY - SINGLE TANK
44	47158505	PULL KNOB	C	47159729	ERGO INFLATOR ASSY, LONG ref chart 255
44	47159136	PULL KNOB R.E.VALVE BLACK			[Chart N°255 - Draw. N°J107]
66	43169822	LINE, BLACK, DIAM. 1,75	x x x	47159058	RAPID EXHAUST KIT (34-35-36-37-44-66)
96	47159311	RUBBER EXTRUSION,TANK BAND,BC	E	47200925	MRS PLUS, PLATE/BUCKLE KIT
98	47158561	BUCKLE, DOUBLE REG. 50 F	F	47159302	LL 25 BLACK ACETALIC

DRAWING NO : J 153	B.C.VEST ALIIKAI	UPDATED: 22/01/2007
--------------------	-------------------------	---------------------

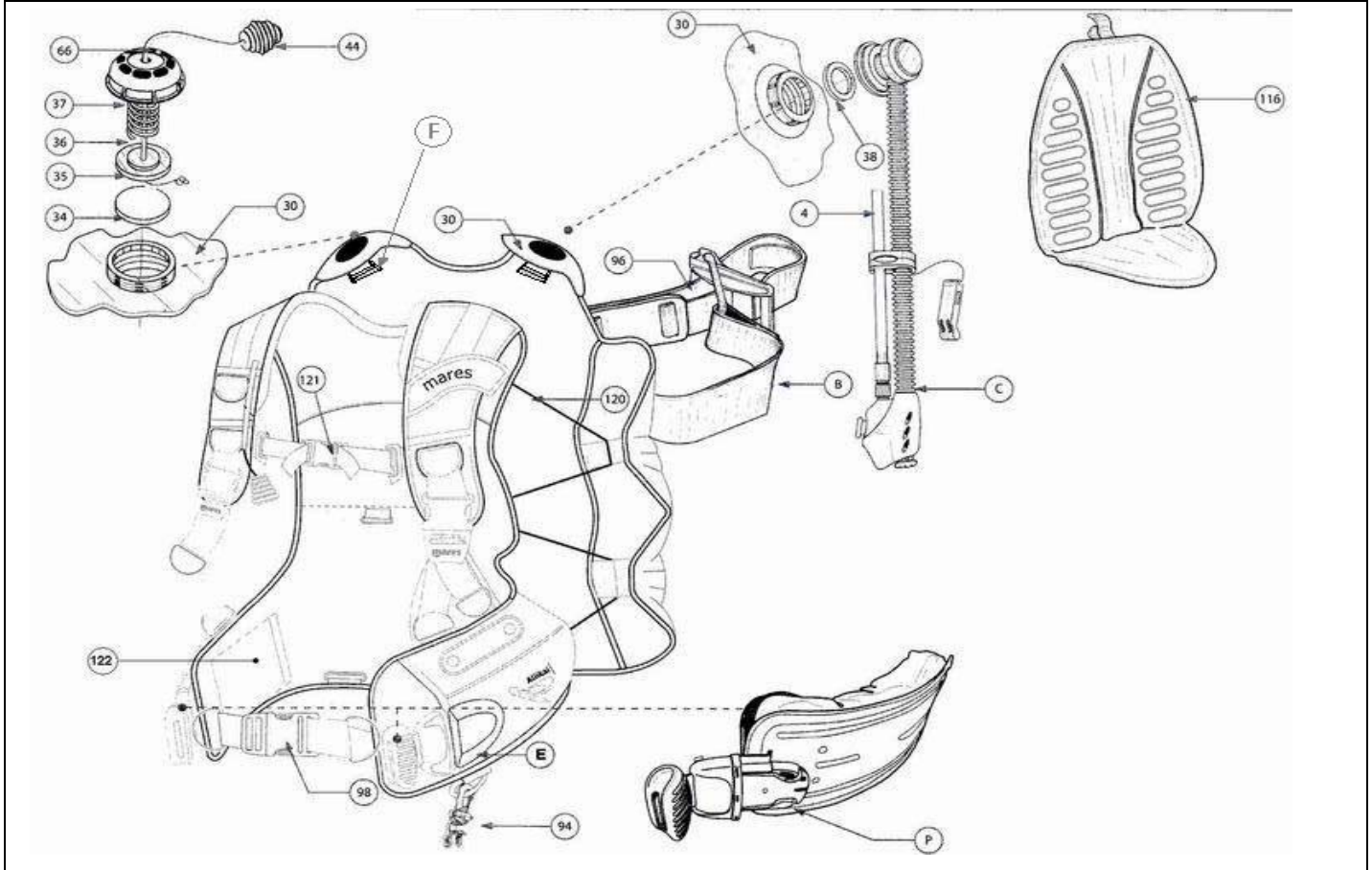


CHART NO : 271	B.C.VEST ALIIKAI	UPDATED : 22/12/2008
----------------	-------------------------	----------------------

REF	CODE	DESCRIPTION	REF	CODE	DESCRIPTION
4	47159681	INT HOSE, LP INFLATOR	98	47158566	BUCKLE, DOUBLE REG. 40 M DWSR
30	47200934	BLADDER	116	47200930	BACK PACK PADDING
34	47159125	SEAL, OVERPRESS. VALVE, B.C.V.	120	47200931	SLINGS
35	47159054	SEAT DISC, OP VALVE B.C.VEST	121	47200933	STERNAL STRAP KIT
36	47159150	SPRING, RAPID EXHAUST VALVE	122	N/D	ALIIKAI STRUCTURE
37	47159056	CAP, O.P.VALVE, B.C.VEST	ASSEMBLIES		
38	47159124	SEAL, CONNECTING LOCKNUT B.C.	B	47159295	TANK BAND ASSEMBLY - SINGLE TANK
44	47158505	PULL KNOB	C	47159729	ERGO INFLATOR ASSY, LONG ref chart 255
44	47159136	PULL KNOB R.E.VALVE BLACK			[Chart N°255 - Draw. N°J107]
66	43169822	LINE, BLACK, DIAM. 1,75	x x x	47159058	RAPID EXHAUST KIT (34-35-36-37-44-66)
96	47159311	RUBBER EXTRUSION,TANK BAND,	E	47200925	MRS PLUS, PLATE/BUCKLE KIT
98	47158567	BUCKLE, DOUBLE REG. 40 F DWSR	F	47159302	LL 25 BLACK ACETALIC

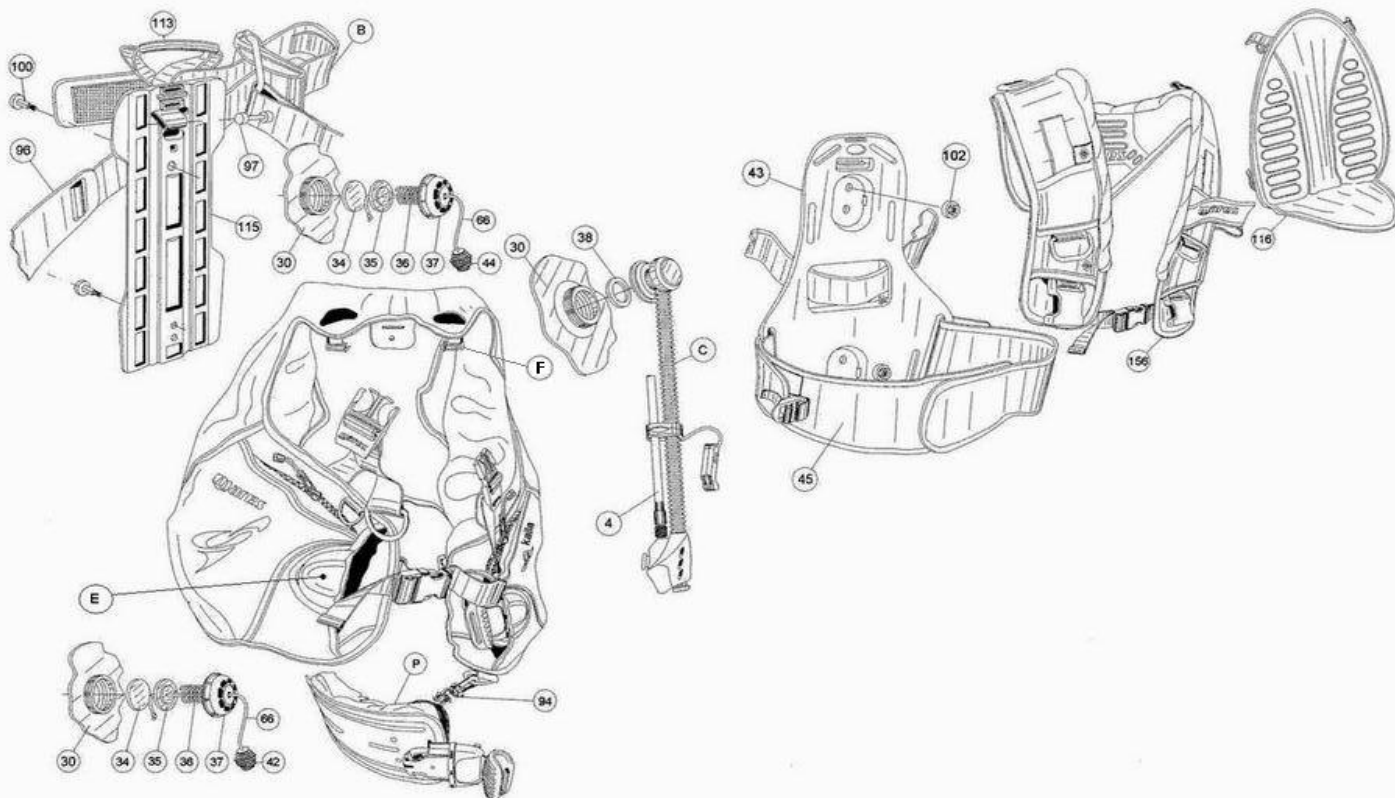
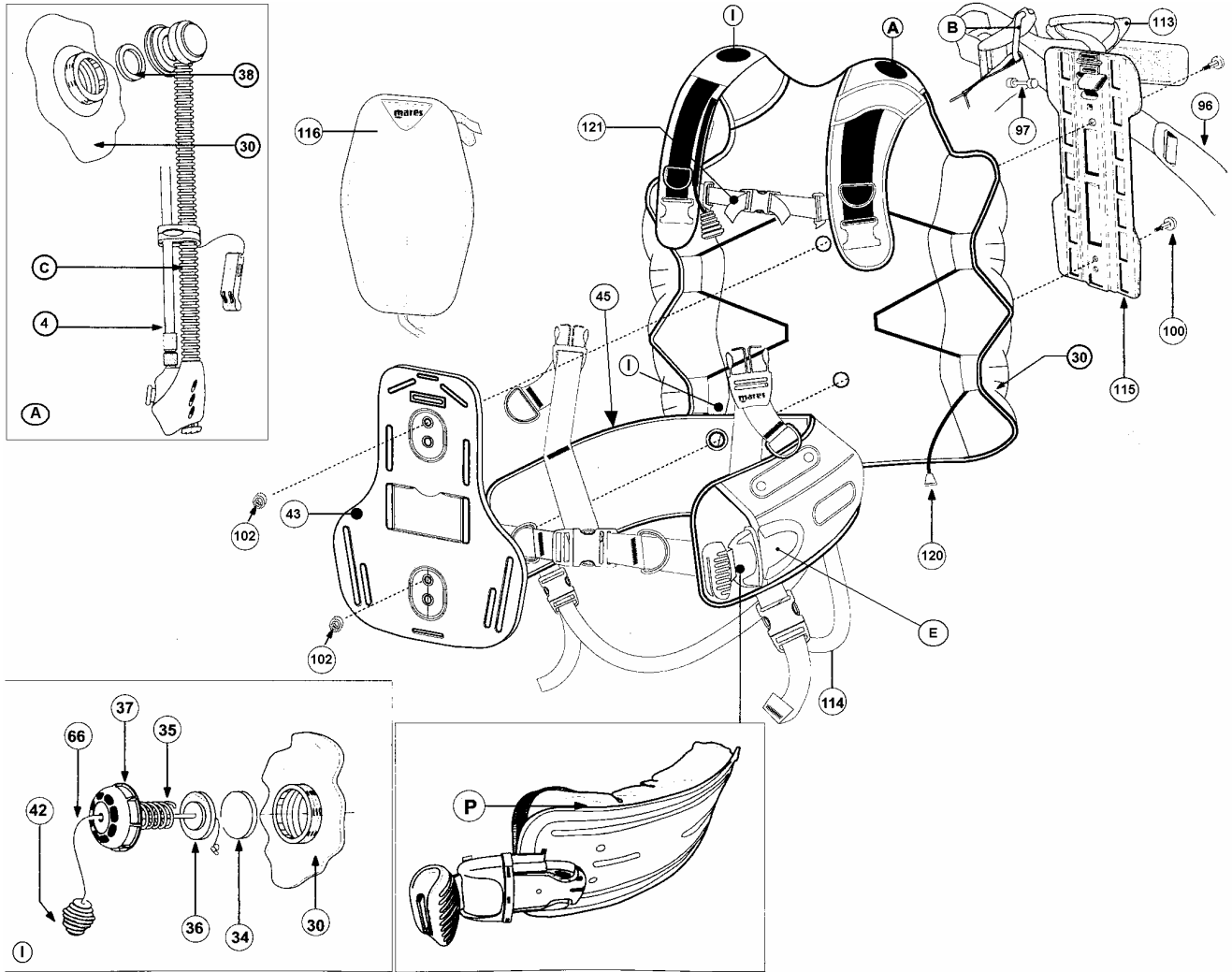


CHART NO : 269

B.C.VEST KAILA

UPDATED: 22/12/2008

REF	CODE	DESCRIPTION	REF	CODE	DESCRIPTION
4	47159681	INT HOSE, LP INFLATOR	96	47159311	RUBBER EXTRUSION, TANK BAND, BC
30	N/D	KAILA BLADDER	97	47159293	SCREW, TANK BAND
34	47159125	SEAL, OVERPRESS. VALVE, B.C.V.	98	47158567	BUCKLE, DOUBLE REG. 40 F DWSR
35	47159054	SEAT DISC, OP VALVE B.C.VEST	98	47158566	BUCKLE, DOUBLE REG. 40 M DWSR
36	47159150	SPRING, RAPID EXHAUST VALVE	100	47158522	SCREW M 6 x 20
37	47159056	CAP, O.P. VALVE, B.C.VEST	102	47159748	FLANGED NUT M6
38	47159124	SEAL, CONNECTING LOCKNUT B.C.	113	47159609	HANDLE, BACK PACK
42	47158505	PULL KNOB GREY	115	47159160	COUNTER BACK PACK
43	47200219	BACK PACK 2K2	116	47200747	BACK ACK PADDING
44	47159136	PULL KNOB R.E. VALVE BLACK	156	47200891	SHOULDER STRAP SMALL
45	47200893	WAISTBAND KAILA XXS	156	47200892	SHOULDER STRAP BIG
45	47200894	WAISTBAND KAILA XS			ASSEMBLIES
45	47200895	WAISTBAND KAILA S	B	47159295	TANK BAND ASSEMBLY - SINGLE TANK
45	47200896	WAISTBAND KAILA M	A	47159729	ERGO INFLATOR ASSY, LONG ref chart 255
45	47200897	WAISTBAND KAILA L	x x x	47159058	RAPID EXHAUST KIT(34-35-36-37-44-66)
66	43169822	LINE, BLACK, DIAM. 1,75	E	47200925	MRS PLUS, PLATE/BUCKLE KIT
94	47159003	HOSE RETAINER CLIP	F	47159302	LL 25 BLACK ACETALIC



REF	CODE	DESCRIPTION	REF	CODE	DESCRIPTION
4	47159681	INT HOSE, LP INFLATOR	96	47159311	RUBBER EXTRUSION, TANK BAND, BC
30		BLADDER	97	47159293	SCREW TANK BAND
34	47159125	SEAL, OVERPRESS. VALVE, B.C.V.	100	47158522	SCREW M6 X 20 TTQST DIN 603 A2
35	47159054	SEAT DISC, OP VALVE B.C.VEST	102	47159748	NUT M6 S/S
36	47159150	SPRING, RAPID EXHAUST VALVE	113	47159609	HANDLE, BACK PACK
37	47159056	CAP, O.P. VALVE, B.C.VEST	114	47200963	KIT UNDER LEG
38	47159124	SEAL, CONNECTING LOCKNUT B.C.	115	47159160	COUNTER BACK PACK
42	47158505	PULL KNOB GREY	116	47200477	BACK PACK PADDING
43	47200219	BACK PACK 2K2	120	47200932	SLINGS
45	47200958	WAISTBAND Pegasus XS	121	47200933	STERNAL STRAP KIT
45	47200959	WAISTBAND Pegasus S	129	47158566	BUCKLE D.R. 40 M DWSR
45	47200960	WAISTBAND Pegasus M	ASSEMBLIES		
45	47200961	WAISTBAND Pegasus L	B	47159295	TANK BAND ASSEMBLY
45	47200962	WAISTBAND Pegasus XL	A	47159729	ERGO INFLATOR ASSY, LONG ref chart 255
66	43169822	LINE, BLACK, DIAM. 1,75	I	47159058	RAPID EXHAUST KIT BC.VEST
94	47159003	HOSE RETAINER	E	47200925	MRS PLUS, PLATE/BUCKLE KIT

DRAWING NO : J 154

B.C.VEST ORIGIN SPORT

UPDATED: 22/01/2007

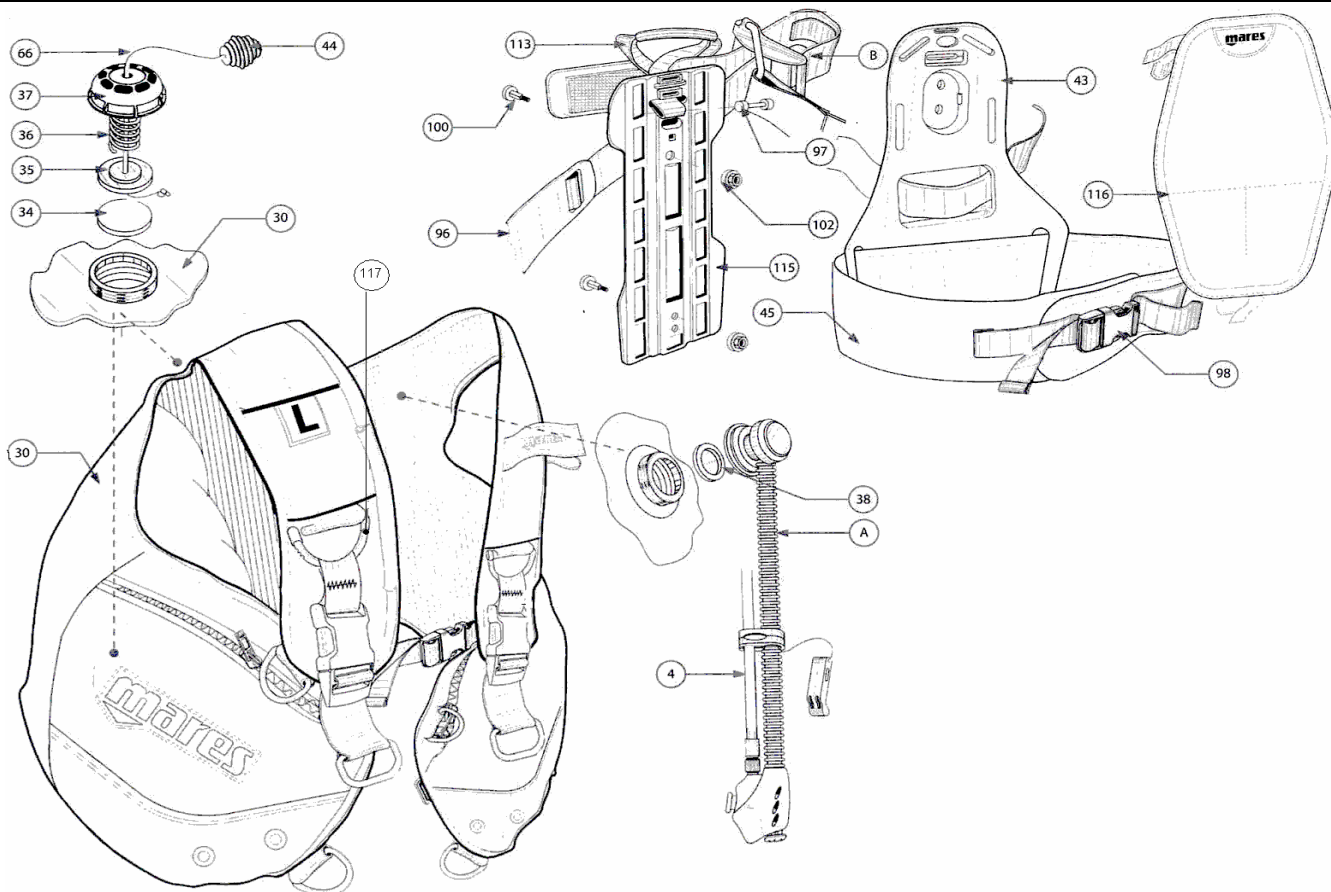


CHART NO : 272

B.C.VEST ORIGIN SPORT

UPDATED : 22/01/2007

REF	CODE	DESCRIPTION	REF	CODE	DESCRIPTION
4	47159681	INT HOSE, LP INFLATOR	66	43169822	LINE, BLACK, DIAM. 1,75
30	N.D.	BLADDER	96	47159311	RUBBER EXTRUSION, TANK BAND, BC
34	47159125	SEAL, OVERPRESS. VALVE, B.C.V.	97	47159293	SCREW TANK BAND
35	47159054	SEAT DISC, OP VALVE B.C.VEST	98	47158567	BUCKLE, DOUBLE REG. 40 F DWSR
36	47159150	SPRING, RAPID EXHAUST VALVE	98	47158566	BUCKLE, DOUBLE REG. 40 M DWSR
37	47159056	CAP, O.P. VALVE, B.C.VEST	100	47158522	SCREW M6 X 20 TTQST DIN 603 A2
38	47159124	SEAL, CONNECTING LOCKNUT B.C.	102	47159748	NUT M6 S/S
43	47200219	BACK PACK	113	47159609	HANDLE, BACK PACK
44	47158505	PULL KNOB GREY	115	47159160	COUNTER BACK PACK
44	47159136	PULL KNOB BLACK, RAPID EXHAUST	116	47200477	BACK PACK PADDING, ORIGIN SPORT
45	47200955	WAISTBAND ORIGIN SPORT XXS	117	47200906	D-RING 50 MM
45	47200937	WAISTBAND ORIGIN SPORT XS	ASSEMBLIES		
45	47200943	WAISTBAND ORIGIN SPORT S	B	47159295	TANK BAND ASSEMBLY
45	47200944	WAISTBAND ORIGIN SPORT M	C	47159729	ERGO INFLATOR ASSEMBLY
45	47200945	WAISTBAND ORIGIN SPORT L			(Chart N°255 - Draw. N°J107)
45	47200946	WAISTBAND ORIGIN SPORT XL	x x x	47159058	RAPID EXHAUST KIT(34-35-36-37-44-66)

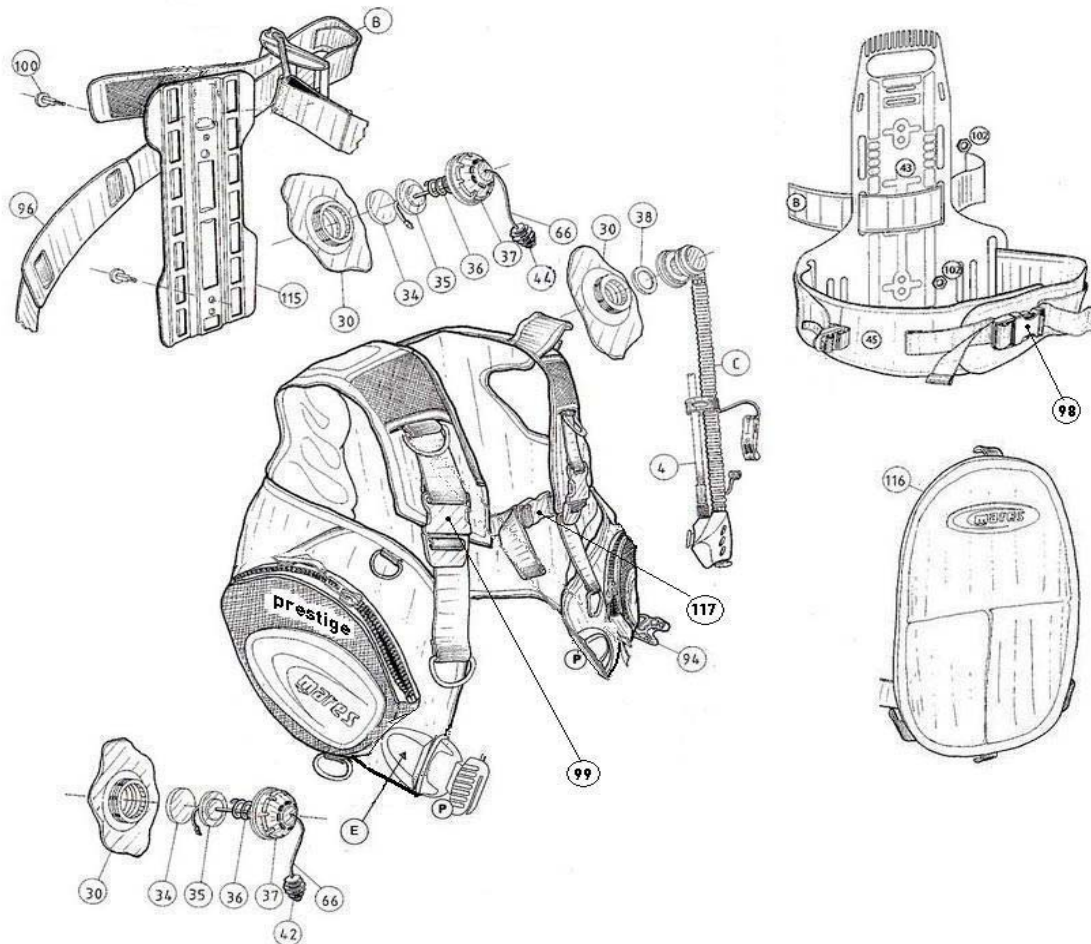
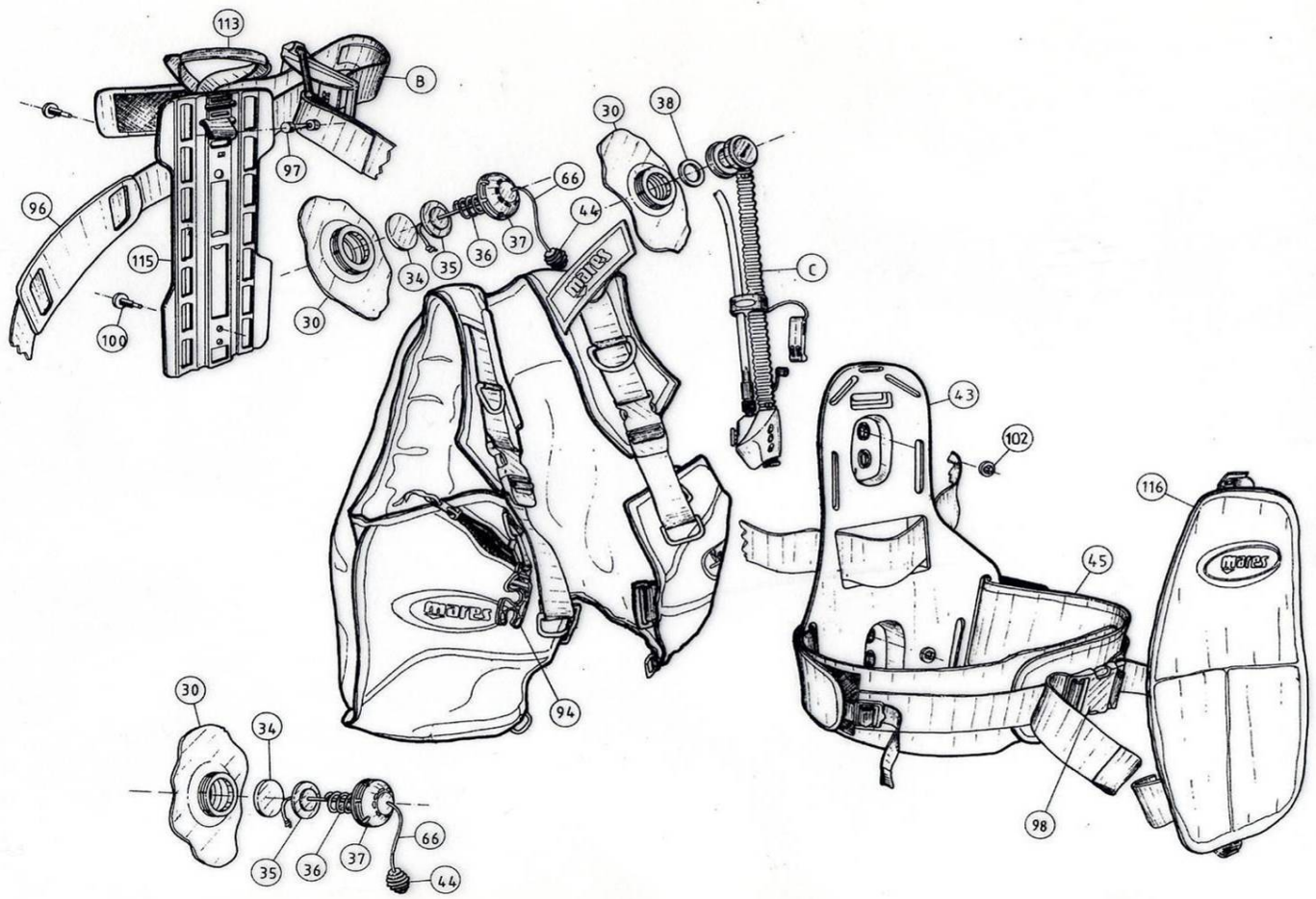


CHART NO : 277

B.C.VEST PRESTIGE

UPDATE: 18/12/2008

REF	CODE	DESCRIPTION	REF	CODE	DESCRIPTION
4	47159681	INT HOSE, LP INFLATOR	98	47158567	BUCKLE, DOUBLE REG. 40 F DWSR
30	N.D.	BLADDER	98	47158566	BUCKLE, DOUBLE REG. 40 M DWSR
34	47159125	SEAL, OVERPRESS. VALVE, B.C.V.	99	47158563	BUCKLE SR 50 F
35	47159054	SEAT DISC, OP VALVE B.C.VEST	99	47158562	BUCKLE SR 50 M
36	47159150	SPRING, RAPID EXHAUST VALVE	100	47158522	SCREW M6 X 20 TTQST DIN 603 A2
37	47159056	CAP, O.P.VALVE, B.C.VEST	102	47159748	NUT M6 S/S
38	47159124	SEAL, CONNECTING LOCKNUT B.C.	115	47159160	COUNTER BACK PACK
43	47200954	BACK PACK	116	47200974	Back Pack Cover Prestige
44	47159136	PULL KNOB GREY	117	47158570	BUCKLE DR25 M
45	47200969	WAISTBAND DC Tg XS	117	47158572	UCKLE SR 25 F
45	47200970	WAISTBAND DC Tg S	ASSEMBLIES		
45	47200971	WAISTBAND DC Tg M	B	47159295	TANK BAND ASSEMBLY
45	47200972	WAISTBAND DC Tg L	C	47159729	ERGO INFLATOR ASSEMBLY (dis J107 tab. 255)
45	47200973	WAISTBAND DC Tg XL	E	47200925	MRS PLUS, PLATE/BUCKLE KIT
66	43169822	LINE, BLACK, DIAM. 1,75	x x x	47159058	RAPID EXHAUST KIT(34-35-36-37-44-66)
96	47159311	RUBBER EXTRUSION,TANK BAND,BC			



REF	CODE	DESCRIPTION	REF	CODE	DESCRIPTION
4	47159681	INT HOSE, LP INFLATOR	94	47159003	HOSE RETAINER
30	N.D.	BLADDER	96	47159311	RUBBER EXTRUSION, TANK BAND, BC
34	47159125	SEAL, OVERPRESS. VALVE, B.C.V.	97	47159293	SCREW TANK BAND
35	47159054	SEAT DISC, OP VALVE B.C.VEST	98	47158567	BUCKLE, DOUBLE REG. 40 F DWSR
36	47159150	SPRING, RAPID EXHAUST VALVE	98	47158566	BUCKLE, DOUBLE REG. 40 M DWSR
37	47159056	CAP, O.P. VALVE, B.C.VEST	100	47158522	SCREW M6 X 20 TTQST DIN 603 A2
38	47159124	SEAL, CONNECTING LOCKNUT B.C.	102	47159748	NUT M6 S/S
43	47200219	BACK PACK	113	47159609	HANDLE, BACK PACK
44	47158505	PULL KNOB GREY	115	47159160	COUNTER BACK PACK
44	47159136	PULL KNOB BLACK, RAPID EXHAUST	116	47200325	BACK PACK PADDING
45	47200472	WAISTBAND VECTOR 2K3 XS	ASSEMBLIES		
45	47200473	WAISTBAND VECTOR 2K3 S	B	47159295	TANK BAND ASSEMBLY
45	47200474	WAISTBAND VECTOR 2K3 M	C	47159729	ERGO INFLATOR ASSEMBLY
45	47200475	WAISTBAND VECTOR 2K3 L	[Chart N°255 - Draw. N°J107]		
45	47200476	WAISTBAND VECTOR 2K3 XL	xxx	47159058	RAPID EXHAUST KIT BC.VEST
66	43169822	LINE, BLACK, DIAM. 1,75	[34-35-36-37-44-66]		

DRAWING NO : J 158

B.C.VEST ROVER DC

UPDATED: 12/12/2008

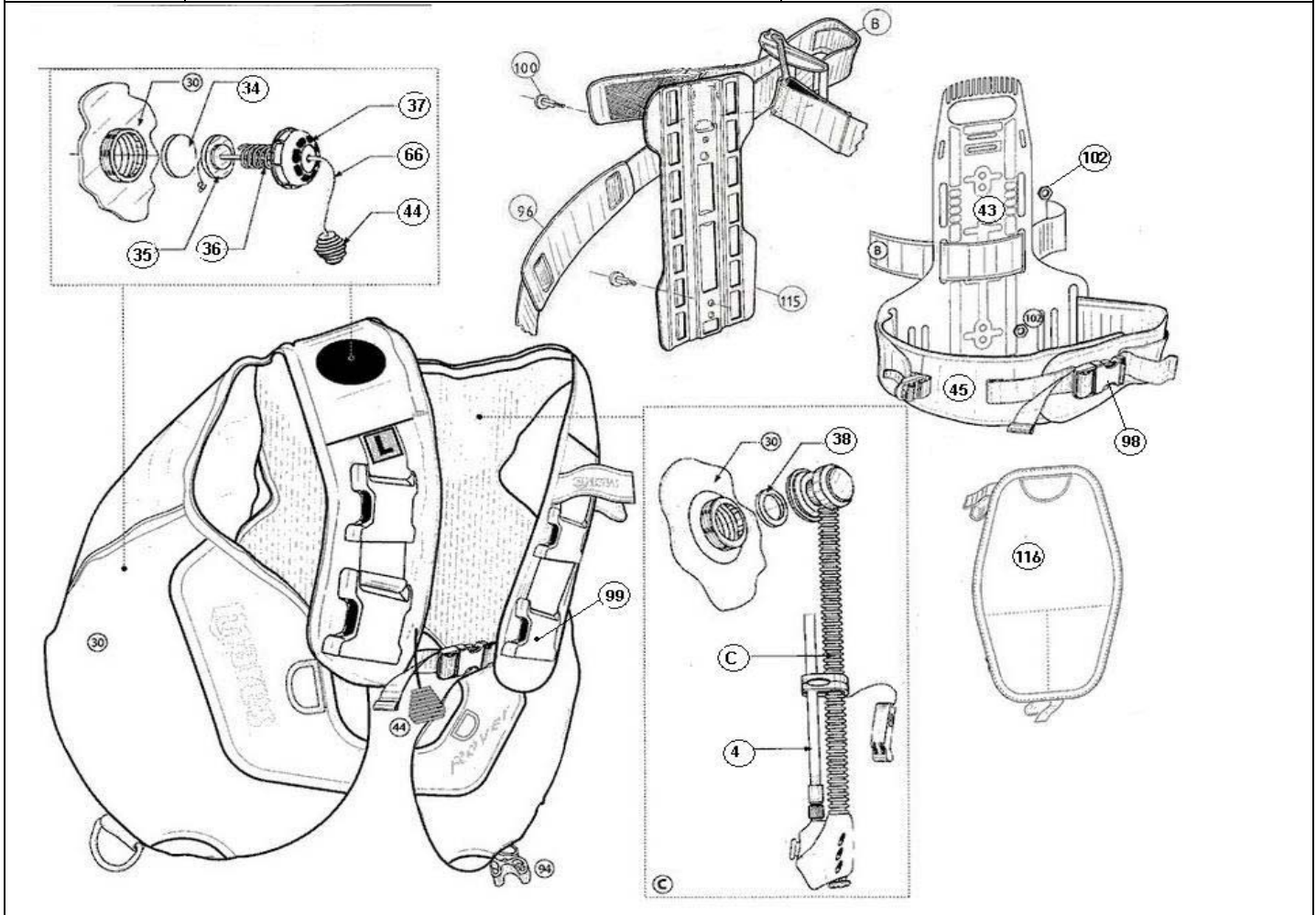


CHART NO : 276

BCV ROVER DC

UPDATED: 18/12/2008

REF	CODE	DESCRIPTION	REF	CODE	DESCRIPTION
4	47159681	INT HOSE, LP INFLATOR	96	47159311	RUBBER EXTRUSION,TANK BAND,BC
30	N.D.	BLADDER	98	47158567	BUCKLE, DOUBLE REG. 40 F DWSR
34	47159125	SEAL, OVERPRESS. VALVE, B.C.V.	98	47158566	BUCKLE, DOUBLE REG. 40 M DWSR
35	47159054	SEAT DISC, OP VALVE B.C.VEST	99	47158569	BUCKLE SR F
36	47159150	SPRING, RAPID EXHAUST VALVE	99	47158568	BUCKLE SR M
37	47159056	CAP, O.P.VALVE, B.C.VEST	100	47158522	SCREW M6 X 20 TTQST DIN 603 A2
38	47159124	SEAL, CONNECTING LOCKNUT B.C.	102	47159748	NUT M6 S/S
43	47200219	BACK PACK	115	47159160	COUNTER BACK PACK
44	47159136	PULL KNOB,R.E.VALVE B.C. VEST	116	47200974	Back Pack Cover Prestige
45	47200969	WAISTBAND DC Tg XS	117	47158570	BUCKLE DR25 M
45	47200970	WAISTBAND DC Tg S	117	47158572	BUCKLE SR 25 F
45	47200971	WAISTBAND DC Tg M	ASSEMBLIES		
45	47200972	WAISTBAND DC Tg L	B	47159295	TANK BAND ASSEMBLY
45	47200973	WAISTBAND DC Tg XL	C	47159729	ERGO INFLATOR ASSEMBLY (dis J107 tab. 255)
66	43169822	LINE, BLACK, DIAM. 1,75	x x x	47159058	RAPID EXHAUST KIT BC.VEST (34-35-36-37-44-66)

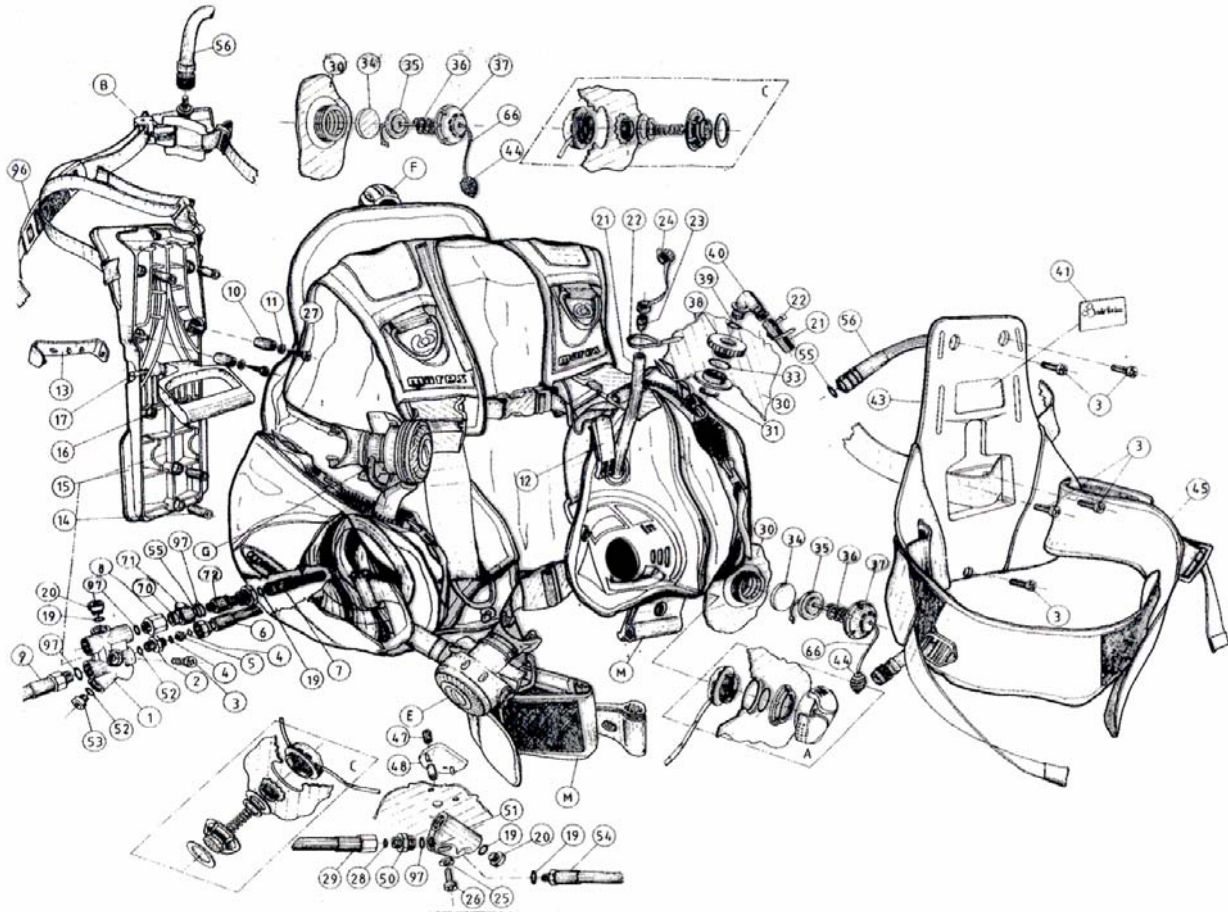


CHART NO : 232		H.U.B. MARES AVANTGARDE		UPDATED : 15/01/05	
REF	CODE	DESCRIPTION	REF	CODE	DESCRIPTION
1	47158706	7-WAY MANIFOLD	41	47200095	LABEL
2	47158724	CONNECTOR 7/16 UNF	43	46200024	BACK PACK, H.U.B
3	45111016	SCREW M 5 X 20	44	47159136	PULL KNOB R.E.VALVE BC. VEST
4	46110242	O-RING 2-003	44	47158505	PULL KNOB GREY
5	44172073	HP HOSE SWIVEL WITH O-RING	45	47200269	WAISTBAND S
6	47158736	H.P. HOSE, 55 cms	45	47200270	WAISTBAND M
7	47158735	HOSE L.P. 3/8" QUICK CONNECTOR 50 cms	45	47200271	WAISTBAND L
7	47158734	HOSE L.P. 3/8" QUICK CONNECTOR 45 cms	45	47200272	WAISTBAND XL
8	47158726	CONNECTOR 1/2 UNF 3/8"	47	47158713	TAPEX 073M4 INSERT
9	47158729	HOSE L.P. 1/2" - 1/2" swivelling	48	46200000	SUPPORT FOR 4 WAY MANIFOLD
10	46200007	ROLLER	50	47158723	CONNECTOR 1/2 UNF 9/16"
11	45111017	WASHER D.4.3UNI-6593DIN-126	51	47158705	4-WAY MANIFOLD
12	47159020	WHISTLE, B.C. VESTS	52	46110108	OR 108
13	46200015	GRIP INSERT	53	46185205	HP PLUG 7/16"
15	46200009	PLATE TANK SUPPORT	54	47158732	HOSE LP 3/8"-9/16" CM 70 SOFT
16	46200008	HANDLE FOR AT COUNTERBACKPACK	55	46110106	O-R 106
17	47158715	ROD 5X80 MM	56	47200283	LP HOSE QUICK CONNECTION
19	46110106	OR 106	66	43169822	LINE, BLACK, DIA 1.75
20	46185204	LP PLUG, 3/8" UNF	70	46200277	SWIVEL SPACER BUSHING, HUB AVANTGARDE
21	xxx	INTERNAL TUBE	71	46200189	SWIVELLING CONNECTOR D.20
22	45179863	CLAMP CORRUGATED HOSE	72	46200267	PIN, SWIVEL HUB AVANTGARDE
23	46200016	Valve Halkey Roberts 730 ROA	96	47159311	RUBBER EXTRUSION, TANK BAND, BC
24	46200017	DUST CAP VALVE HALKEY ROBERT	97	46110215	OR 2043
25	45111018	WASHER D. 5,3 UNI 6592 DIN 125/A			ASSEMBLIES
26	45111015	SCREW M 4 X 14 TCC	***	46200148	SERVICE KIT HOSE/MANIFOLD HUB [4-19-28-52-97-OR 114-OR 2031]
27	45111003	SCREW 2,9 X 9,5 UNI 6954 71	xxx	47200376	Oral Inflator ASSEMBLY, H.U.B. [21 - 22 - 23 - 31 - 33 - 38 - 39 - 40]
28	46110205	OR 2025	***	46200407	Kit Swivel H.U.B. [19 - 56 - 70 - 71 - 72 - 97]
29	47158731	HOSE L.P. 1/2" - 9/16" 50 cms [L-XL]	D	----	AIRTRIM INFLATOR H.U.B. - Refer to chart 253 drawing J 105
29	47158730	HOSE L.P. 1/2" - 9/16" 43 cms [S-M]	G	----	Octopus PROTON: refer to chart 114 drawing E 24
30	n/a	VEST HUB AVANTGARDE [S-XL]	A	----	1st STAGE HUB: refer to chart 20 drawing E 11
31	47158708	RETAINING RING DIAM. 18	G	----	2° Stage Proton metal: refer to chart 118 drawing E 28
33	47110271	O-RING 3100	H	----	Air Dump valve: Refer to chart 254 Drawing J106
34	47159125	SEAL, OVERPRESS. VALVE, B.C.V.	K	----	AIR LOCK refer to chart 235 drawing J86
35	47159054	SEAT DISC, OP VALVE B.C.VEST	P	417950	MRS WEIGHT SYSTEM (M-L-XL)
36	47159150	SPRING, RAPID EXHAUST VALVE			
37	47159056	CAP, O.P.VALVE, B.C.VEST			
38	xxx	FLANGE FOR SWIVEL ELBOW			
39	46110210	O-Ring 2056			
40	xxx	SWIVELLING ELBOW			

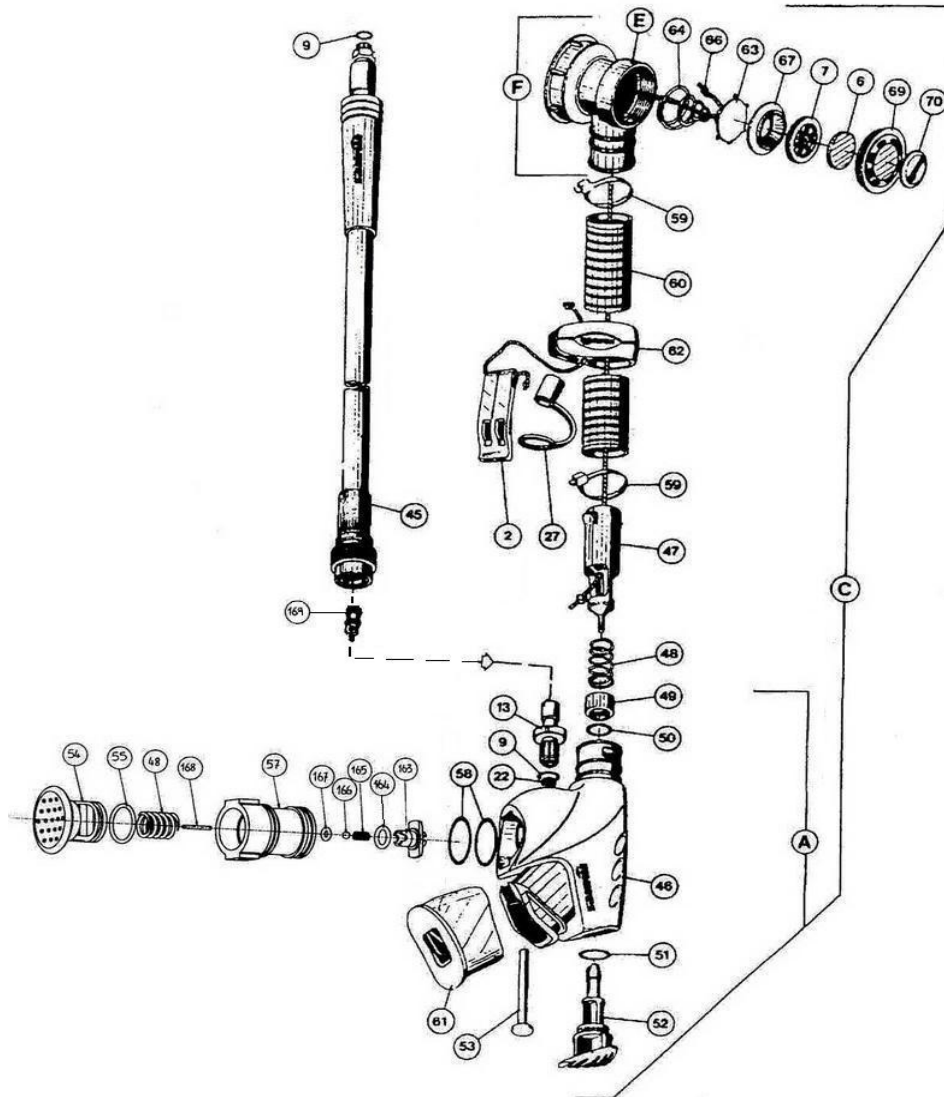


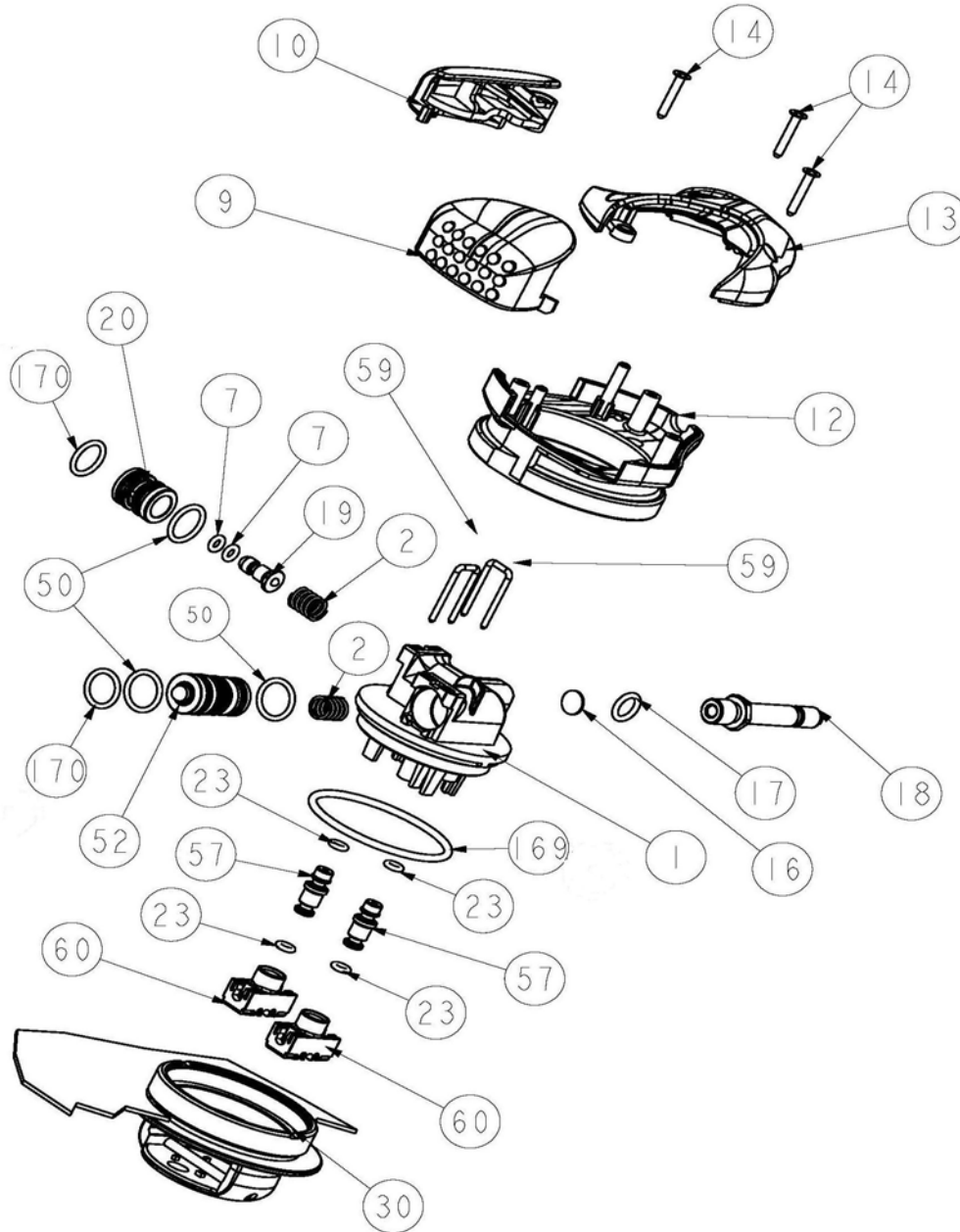
CHART NO : 255

ERGO INFLATOR ASSEMBLY 2K5

UPDATED: 22/12/2008

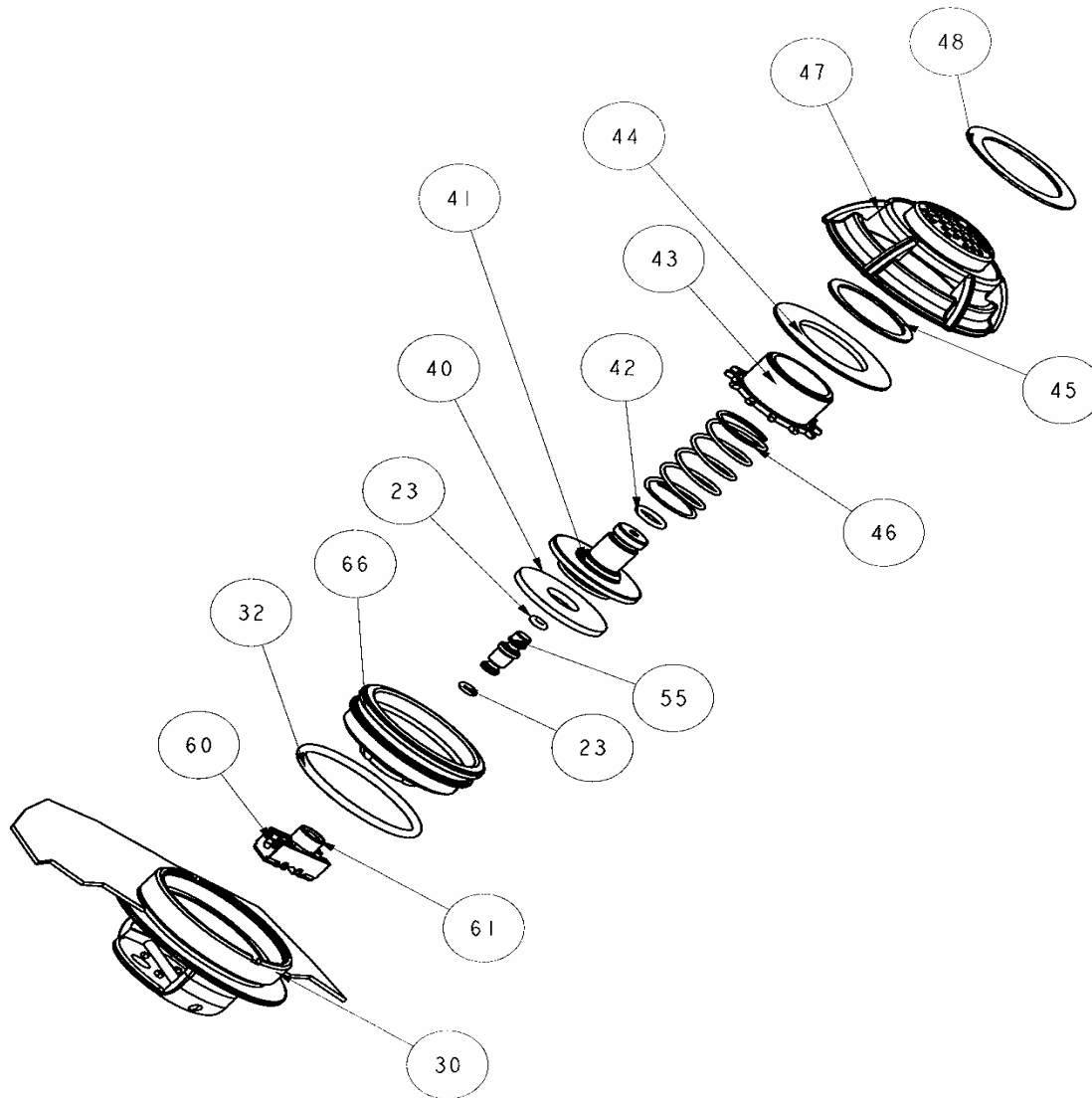
REF	CODE	DESCRIPTION	REF	CODE	DESCRIPTION
2	47159020	WHISTLE, B.C. VESTS	66	F	LINE DIAM. 1,75 black
6	47159070	EXHAUST DIAPHRAGM, LP INFLAT.	67	47159133	R.E. VALVE SEAL, B.C. VEST
7	F	DIAPHRAGM CASE Lp Inflator	69	F	R.E. Valve cover
9	46110106	OR 106	70	46184322	LABEL
13	47159659	QUICK-CONNECTOR MALE	163	G	O-Ring seat
22	47159146	FILTER, LP INFLATOR	164	46110204	O-Ring 2021
27	47159712	DUST CAP, ERGO INFLATOR	165	G	SPRING INFLATING VALVE
45	47159681	HOSE, ERGO LP INFLATOR	166	G	STEEL BALL 3/16"
46	47159700	INFLATOR BODY	167	46110101	OR 2012
47	47159702	BUSHING, INFL.LINE RETAINER	168	D	PIN ERGO 2K5
48	46185011	SPRING	169	46201002	VALVE ERGO 30 bar Pack.10 pc
49	47159701	EXHAUST BUSHING, ERGO INFLATOR	ASSEMBLIES		
50	46110241	OR 2-109	A	47158504	ERGO LP INFLATOR WITHOUT HOSE
51	46110115	OR 115	C	47159729	ERGO INFLATOR ASSEMBLY WITHOUT LP HOSE (A - F - 2-27-59-60-62)
52	47159717	PURGE BUTTON ERGO 99 SILVER	D	47200808	INFLATING BUTTON assy (54 - 55 - 168)
53	47159707	BUTTON PIN, ERGO INFLATOR	F	47158503	R.EXHAUST VALVE ASSEMBLY DIA 23 (E-6-7-63-64-66-67-69-70)
54	D	INFLATING BUTTON - RED	G	47200807	INFLATION VALVE (57-58-163-164-165-166-167)
55	46110210	OR 2056	H	47200806	SERVICE KIT Ergo 2K5 (9-22-50-51-55-58-59-164-167-OR 2031)
57	G	INFLATION VALVE	###	47200829	UPDATING KIT ERGO 2k5 (D-G-OR 2031-9-22-50-51-59)
58	46110221	OR 2081		46110107	O RING OR 2031 FOR HOSE QUICK CONNECTOR
59	45179863	CLAMP CORRUGATED HOSE			
60	47159709	CORRUGATED HOSE, ERGO INFLATOR			
61	47159705	MOUTHPIECE, ERGO INFLATOR			
62	47159711	HOSE RETAINER			
63	F	RUBBER DISK			
64	F	SPRING, PURGE BUTTON			

AIR TRIM 2003 CONTROL ASSEMBLY

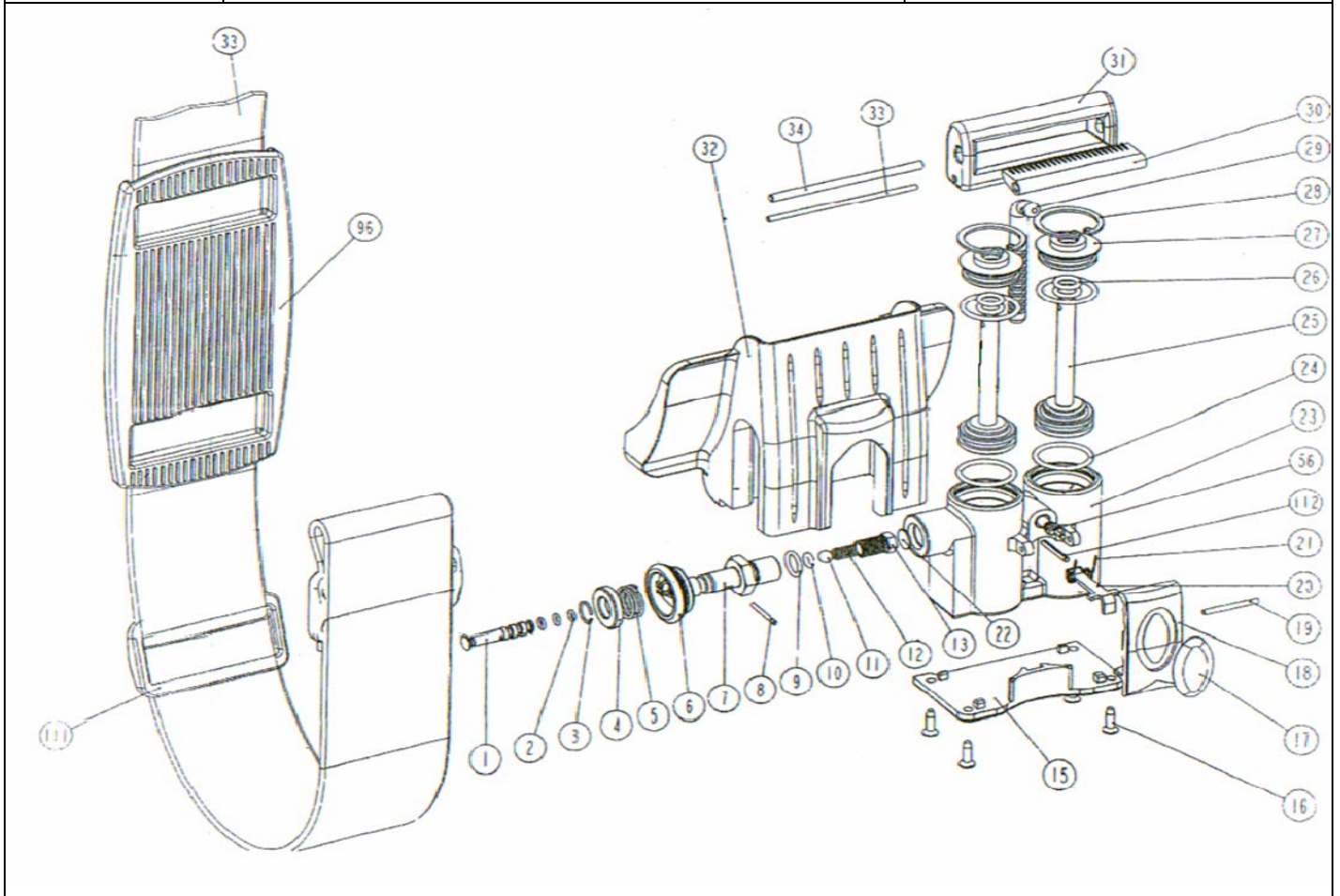


AIR TRIM 2003 CONTROL ASSEMBLY

REF	CODE	DESCRIPTION	REF	CODE	DESCRIPTION
1	47200731	CONTROL BODY A.T. 2003	52	47200738	BUSHING PURGE A.T. 2003 cpl
2	47200744	SPRING PUSH BUTTON A.T. 2003	57	47200718	O-RING HOUSING
7	46110101	O-R 2012	59	47200720	FASTENING FORK
9	47200785	DEFLATION BUTTON A.T. - (GREY)	60	47200710	LP 1-WAY INSERT
10	47200784	INFLATION BUTTON A.T. - (BLACK)	169	47200868	O-RING 3187
12	47200726	BOTTOM COVER A.T. 2003	170	46110211	O-RING 2050
13	47200296	TOP COVER	ASSEMBLIES		
14	45111004	SCREW 2,9 x 19	###	47200733	Control assembly 2003
16	47159146	FILTER, LP INFLATOR			[1-2-7-16-17-18-19-20-23-169-50-52-57-59-170]
17	46110106	O-R 106	===	47200734	LP PIPE ASSEMBLY 45 cms, [24-25-26-36]
18	47200724	QUICK CONNECTOR MALE A.T. 2003	===	47200735	LP PIPE ASSEMBLY 60 cms, AIRTRIM
19	47200713	PURGE BUTTON	===	47200736	LP PIPE ASSEMBLY 75 cms, AIRTRIM
20	47200716	INFLATE BUTTON	===	47200737	LP PIPE ASSEMBLY 120 cms, AIRTRIM
23	46110102	O-RING 2015	***	47200760	SERVICE KIT AIRTRIM ASSEMBLY 2003
50	46110114	O-RING 114			[7-16-17-23-50-52-169-170]



REF	CODE	DESCRIPTION	REF	CODE	DESCRIPTION
23	46110102	O-RING 2015	55	47200717	OR HOUSING SPLIDLE CPL
30	N/A	BLADDER	60	47200710	LP ONE WAY INSERT
32	47200723	O-RING 3175	61	47200709	LP TWO WAY INSERT
40	47158727	SEALING PLATE (DISK)	66	47200711	VALVE SEAT 2003
41	47200725	PISTON VALVE A.T. 2003			
42	46110110	O-R 2037	ASSEMBLIES		
43	46200026	NUT DIAPHRAGM	***	47200759	SERVICE KIT AIR DUMP VALVE 2003
44	47158728	DIAPHRAGM			[23 - 32 - 42 - OR 1212 - OR 2056 - 3100]
45	47158737	WASHER	===	47200734	LP PIPE ASSEMBLY 45 cms, (24-25-26-36)
46	47158701	SPRING PNEUMATIC VALVE	===	47200735	LP PIPE ASSEMBLY 60 cms, AIRTRIM
47	47200727	BEZEL POPPET (VALVE RING) 2003	===	47200736	LP PIPE ASSEMBLY 75 cms, AIRTRIM
48	47200564	LABEL EXHAUST VALVE HUB	===	47200737	LP PIPE ASSEMBLY 120 cms, AIRTRIM



REF	CODE	DESCRIPTION
1	^^^	ROD
2	^^^	O-RING 0025 - I
3	^^^	METAL RING
4	^^^	WASHER
5	^^^	SPRING
6	^^^	RING NUT
7	^^^	QUICK-CONNECTOR MALE
8	^^^	ROD 1,5 x 14
9	46110106	O-RING 106
10	46110201	O-RING 2010
11	^^^	STEEL 3/16
12	^^^	SPRING VALVE CONNECTOR
13	^^^	VALVE CONNECTOR
15	47200256	COVER, PISTON HOUSING
16	45111010	SCREW 2,9X9,5
17	47200282	LABEL MARES
18	47200255	EXHAUST LEVER
19	47200274	PIN EXHAUST LEVER 2X21
20	47200250	MECHANICAL STOP
21	47200248	SPRING EXHAUST LEVER
22	47159146	FILTER
23	47200239	PISTON BODY
24	46110225	OR 2068

REF	CODE	DESCRIPTION
25	47200278	PISTON
26	46110205	OR 2025
27	47200281	PISTON PLUG
28	47200249	RETAINING RING
29	47200277	RACK , STAINLESS STEEL
30	///	LEVER
31	///	BUCKLE
32	47200254	PISTON SHELL
33	47200275	PIN BUCKLE 2X59
34	///	PIN FOR BUCKLE 3 x 59
35	47200253	BAND
56	47158584	VALVE
96	47159311	TANK BAND PROTECTION
111	45173130	STRAP HOLDER BLACK TG50 N
112	47200300	ELASTIC PIN 2X16
ASSEMBLIES		
///	47200378	AIRLOCK BUCKLE ASSEMBLY [30 - 31 - 34]
^^^	47200377	QUICK CONNECTOR AIRLOCK [1-2-3-4-5-6-7-8-9-10-11-12-13]
	47200382	SERVICE KIT, AirLock [9 - 22 - 24 - 26 - 56 - ^^ - OR 2031]

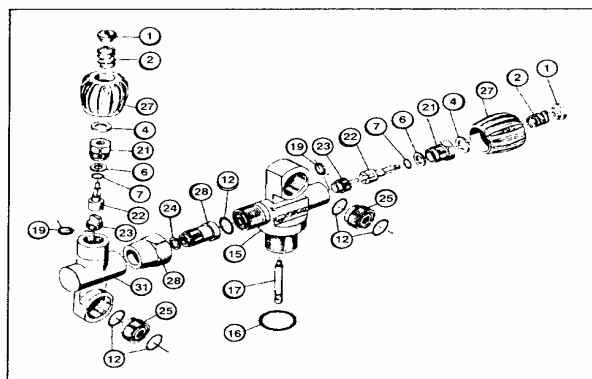
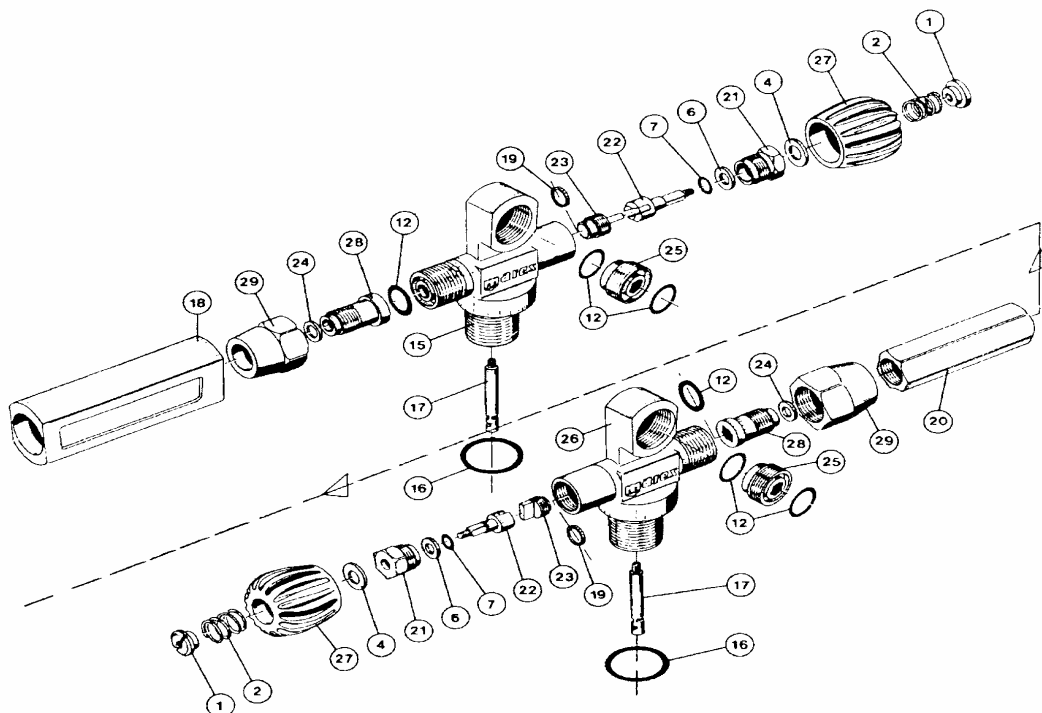


CHART NO : 300

TANK VALVES 92
INT/DIN, NO RESERVE

UPDATED 22/12/2008

REF	CODE	DESCRIPTION	REF	CODE	DESCRIPTION
1	45180701	MILLED WASHER	27	45180727	RUBBER HANDWHEEL BLACK
2	45180702	HANDWHEEL SPRING	28	45180728	TANG
4	45180704	NYLON WASHER	29	45180729	CENTRAL NUT DOUBLE CONNECTION
6	45180706	TEFLON WASHER	31	45180731	DOUBLE CONNECTION BODY,
7	46110205	OR 2025	ASSEMBLIES		
7	46110411	OR 2025 Viton 010-9707	D	45180922	SINGLE TANK VALVE ASSY, SINGLE CONN
12	46110119	OR 3050	E	45180924	SINGLE TANK VALVE ASSY, DOUBLE CONN
12	46110421	OR 3050 VITON		45200276	SINGLE TANK VALVE ASSY, DOUBLE CONN EN 144-1
15	D	BODY VALVE	***	45180750	SET OF GASKETS, DOUBLE TANK VALVE
16	46110216	OR 4100 SH 90	***	45180751	SET OF GASKETS, SINGLE TANK VALVE
16	46110423	OR 4100 SH 90 VITON	ACCESSORIES		
17	45181054	FILTER SPOUT, TANK VALVE	---	45180700	PLUG, 2ND CONNECTION
19	45180719	COPPER WASHER	NOTE		
21	45180721	VALVE LOCK HEX NUT	STARTING FROM 2008 COLLECTION, MARES IS PRODUCING TANKS TESTED		
22	45180722	VALVE SHAFT	, APPROVED AND IN ACCORDANCE WITH THE EUROPEAN LAW EN 144-1.		
23	45180723	SEAT HOLDER ASSEMBLY	PLEASE HAVE A LOOK TO THE RELEVANT TANK CERTIFICATE INCLUDED		
24	46110107	OR 2031	IN THE PACKAGING OR GET IN TOUCH WITH THE MARES TECHNICAL		
25	46179269	V DIN CONNECTOR	ASSISTANCE FOR ANY FURTHER INFORMATION.		

DRAWING NO : S 283

CONSOLLE MISSION 08

UPDATED : 22/12/2008

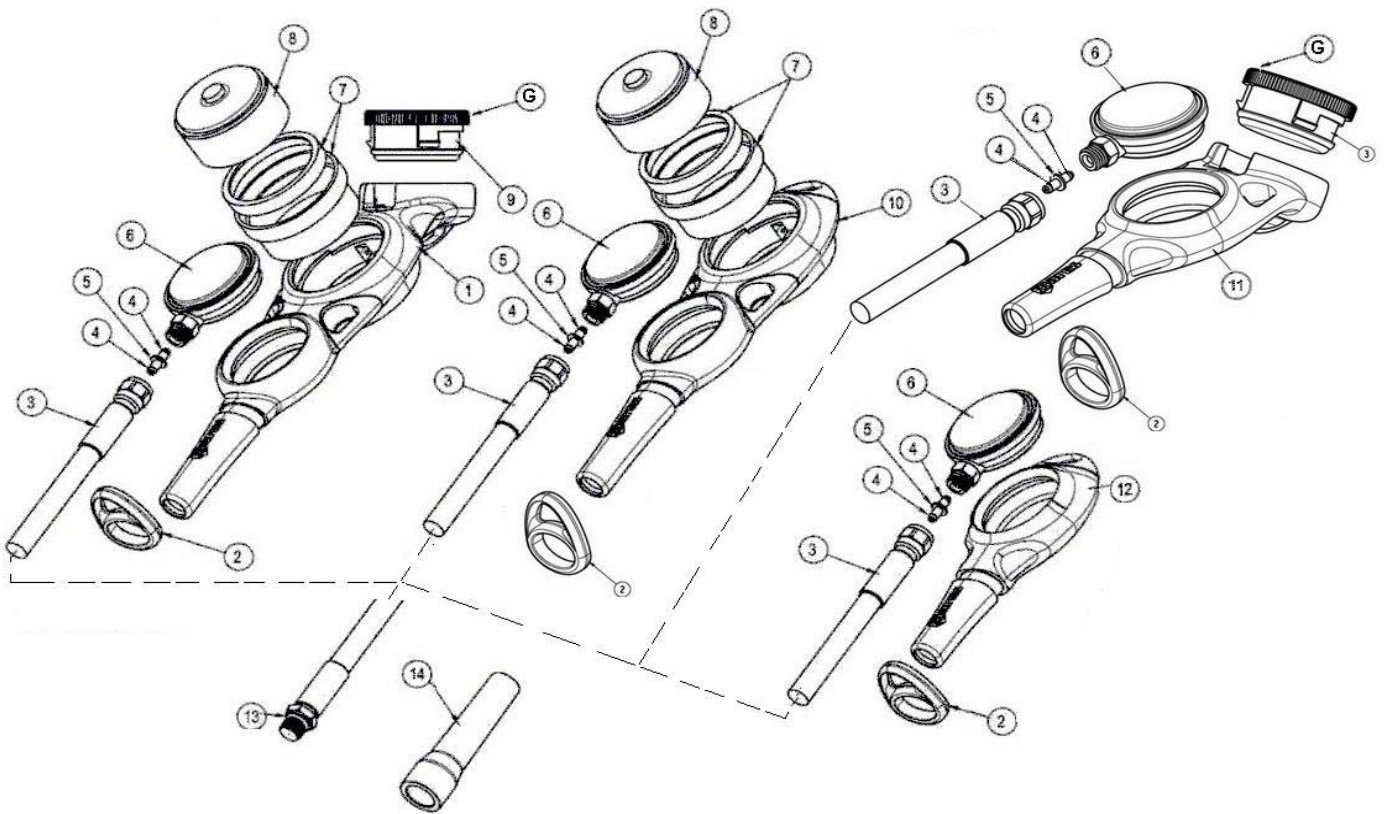


CHART NO : 605

CONSOLLE MISSION 08

UPDATED: 22/12/2008

REF	CODE	DESCRIPTION	REF	CODE	DESCRIPTION
1	44200635	BOOT CONSOLE Mission 3	9	44200179	COMPASS Supreme
2	44200670	RING CONSOLE	10	44200634	COMPASS Supreme 2K2 MODULE
3	44200502	H.P. HOSE DIAM. 11	11	44200725	BOOT CONSOLE Mission 2
4	46110410	O-ring 2-003 x swivel Viton	12	44200633	BOOT CONSOLE Mission 1
5	45172102	Swivel for Nitrox	13	46110108	OR 108
6	44200384	PRESSURE GAUGE CAPS. BAR	13	46110404	OR 108 Viton
6	44200470	PRESSURE GAUGE CAPS. PSI	13	44200485	SOFT HOSE PROTECOR 2K4
7	44200637	ADAPT. BUSHING DEPTH GAUGE	ACCESSORIES		
8	44200475	DEPTH GAUGE MODULE MARES MT	G	45200248	GRADUATED PLASTIC RING COMPASS
8	44200476	DEPTH GAUGE MODULE MARES Feet			

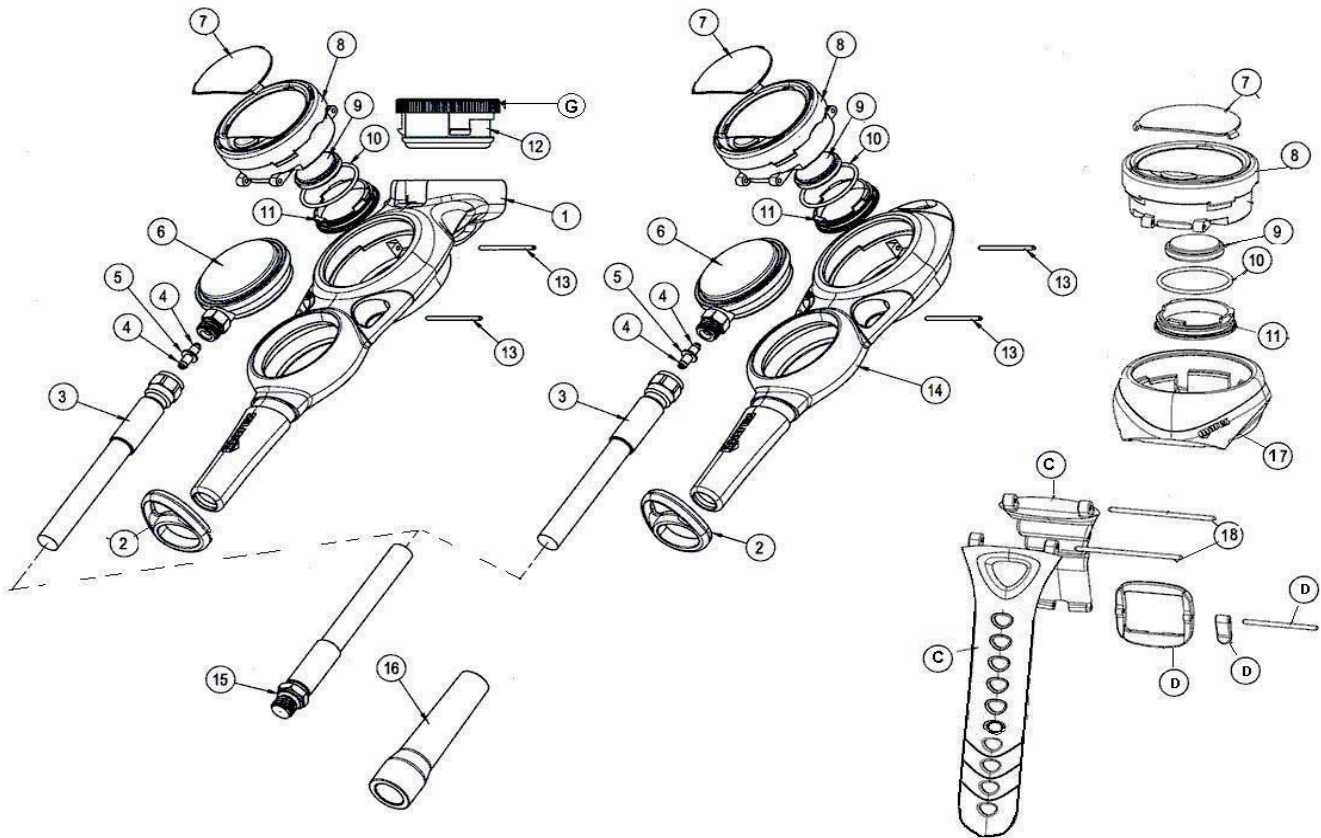


CHART NO : 609

CONSOLE / COMPUTER PUCK

UPDATED: 22/12/2008

REF	CODE	DESCRIPTION	REF	CODE	DESCRIPTION
1	44200635	BOOT CONSOLE Mission 3	13	44200636	PIN LOCK CONSOLE
2	44200670	RING CONSOLE	14	44200634	BOOT FOR CONSOLE 2
3	44200502	H.P. HOSE DIAM. 11	15	46110108	OR 108
4	46110410	O-ring 2-003 x swivel Viton	15	46110404	OR 108 Viton
5	45172102	Swivel	16	44200485	SOFT HOSE PROTECOR 2K4
6	44200384	PRESSURE GAUGE CAPS. BAR	17	44200638	BOOT WRIST PUCK
6	44200470	PRESSURE GAUGE CAPS. PSI	18	44200641	PIN LOCK WRIST
7	44200617	PROTECTION GLASS	ASSEMBLIES		
8	n/a	Computer PUCK	C+D	44200690	WRIST STRAP KIT
9	44200537	BATTERY CR 2450	D	44200769	Puck Wrist Bucle Kit 3 Pcs
10	44200654	O-Ring 28 , 3x1 , 78	G	45200248	GRADUATED PLASTIC RING COMPASS
11	44200631	BATTERY PLUG	O	44200804	Kit ORing (10 pcs) battery plug Puck (Rif. 10)
12	44200179	COMPASS Supreme 2K2 MODULE	K	44200805	Kit (battery +ORing) computer Puck (9+10)

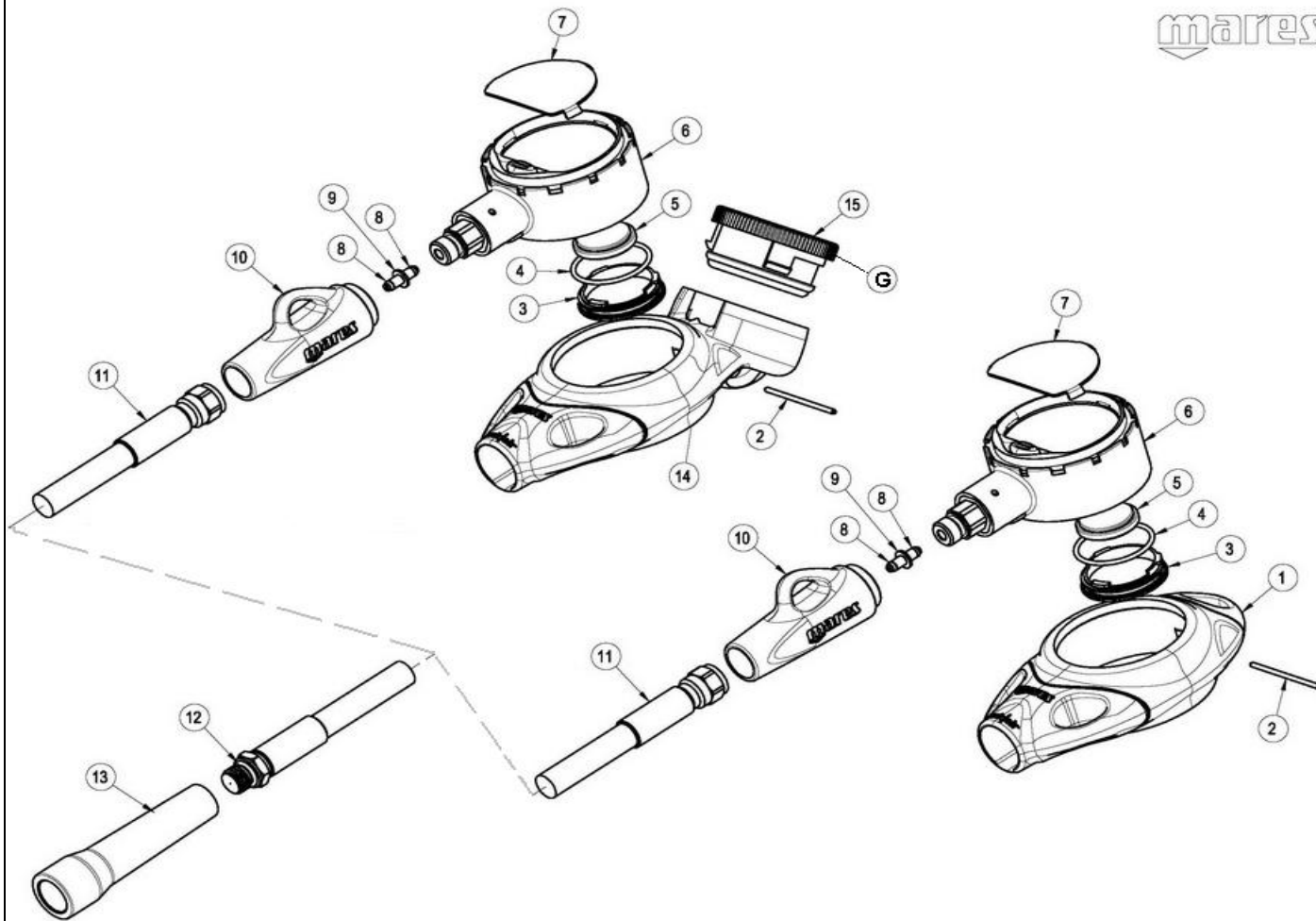


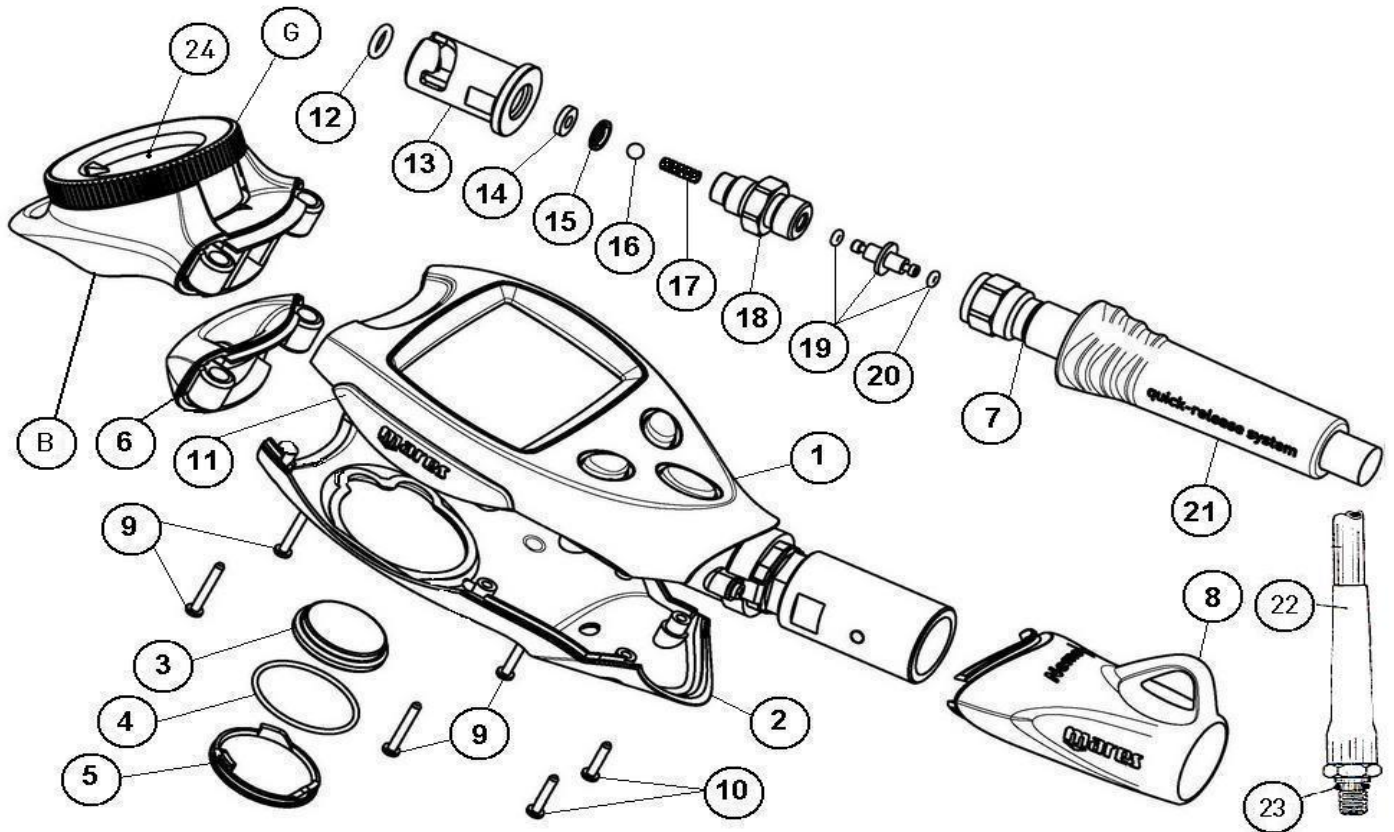
CHART NO : 612

COMPUTER PUCK AIR

UPDATED: 22/12/2008

REF	CODE	DESCRIPTION
1	44200754	BOOT Puck Air
2	44200743	Console PIN
3	44200631	BATTERY PLUG
4	44200654	O-Ring tBATTERY PLUG
5	44200537	BATTERY CR2450
6	N/A	Computer Puck Air
7	44200738	PROTECTION GLASS
8	46110410	O-ring 2-003 x swivel Viton
9	45172102	Swivel
10	44200750	HOSE PROTECOR Puck Air

REF	CODE	DESCRIPTION
11	44200502	Hp HOSE
12	46110404	OR 108 Viton
13	44200485	SOFT HOSE PROTECOR 2K4
14	44200741	BOOT FOR Puck Air
15	44200179	COMPASS Supreme
ASSEMBLIES		
G	45200248	GRADUATED PLASTIC RING COMPASS
O	44200804	Kit O-Ring (10 pcs) vano batterie Puck (4)
K	44200805	Kit (OR+battery) computer Puck (5+4)



REF	CODE	DESCRIPTION	REF	CODE	DESCRIPTION
1	44200703	UPPER SHELL N.AIR	18	A	SPRING HOLDER
2	44200704	LOWER SHELL N.AIR	19	45172102	SWIVEL ASSY
3	44200537	BATTERY CR2450	20	46110410	O-ring 2-003 x swivel Viton
4	44200723	OR NBR 70 26,3x1,2	21	44200709	HOSE COVER
5	44200565	BATTERY COVER MP	22	44200485	SOFT HOSE PROTECTOR
6	44200707	PLASTIC UPPER TERMINAL	23	46110108	OR 108
7	44200502	HP HOSE	23	46110404	OR 108 Viton 611-9754
8	44200705	COVER FOR QUICK CONNECTOR	24	44200179	COMPASS SUPREME MODULE
9	44200169	SCREW A2 2,2x16	ASSEMBLIES		
10	44200762	SCREW 2,2x13	A	44200770	QUICK CONNECTOR ASSY FEMALE
11	44200706	BUMBER			[12-13-14-15-16-17-18]
12	46110205	OR 2025	---	44200771	HP HOSE W/QUICK CONNECTOR
13	A	QUICK CONN. MALE			[7-12-13-14-15-16-17-18-19]
14	A	METAL WASHER	B	414422	COMPASS KIT
15	44200409	GASKET Viton 75sh	G	45200248	GRADUATED PLASTIC RING COMPASS
16	A	STEEL SPHERE	K	44200802	Kit[OR + battery] Nemo Wide/Air [3-4]
17	A	SPRING	O	44200803	Kit OR Nemo Wide/Air [10 pz] [4]

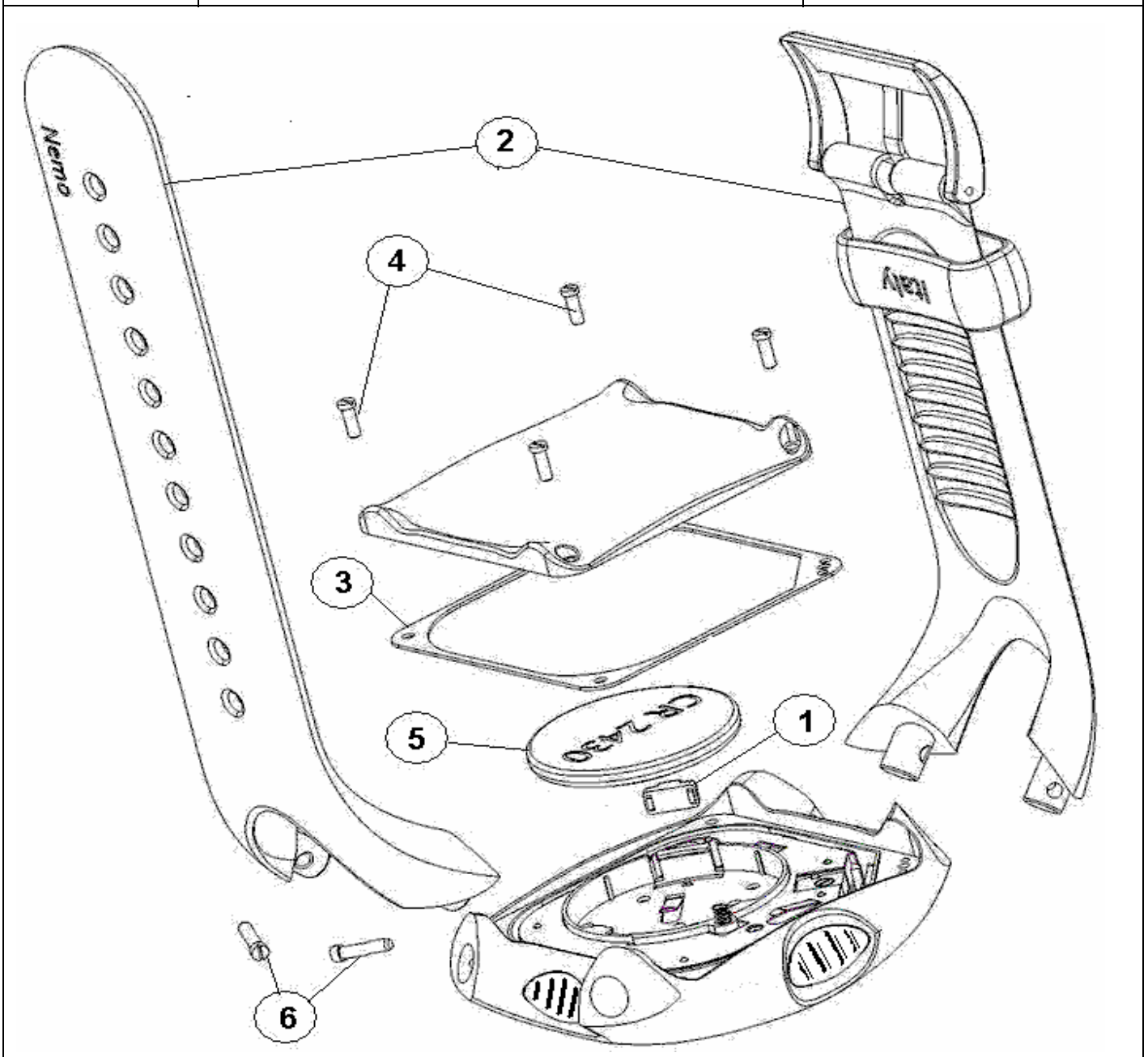


CHART NO : 608

COMPUTER NEMO EXCEL

UPDATED : 20/12/2008

REF	CODE	DESCRIPTION	REF	CODE	DESCRIPTION
1	44200603	BATTERY LOCK KIT -NEMO(5 PCS)	6	44200683	WRIST STRAP SCREWS KIT
2	44200615	WRIST STRAP KIT			
3	44200691	GASKET KIT (5 PCS)			ACCESSORIES
4	44200494	BATTERY COVER SCREWS KIT(20pcs)		44200664	EXTENSION STRAP ASSY-EXCEL
5	44200496	BATTERY Nemo 2430		414901	PROTECTION

DRAWING NO : C 292

COMPUTER NEMO WIDE

UPDATED : 20/12/2007

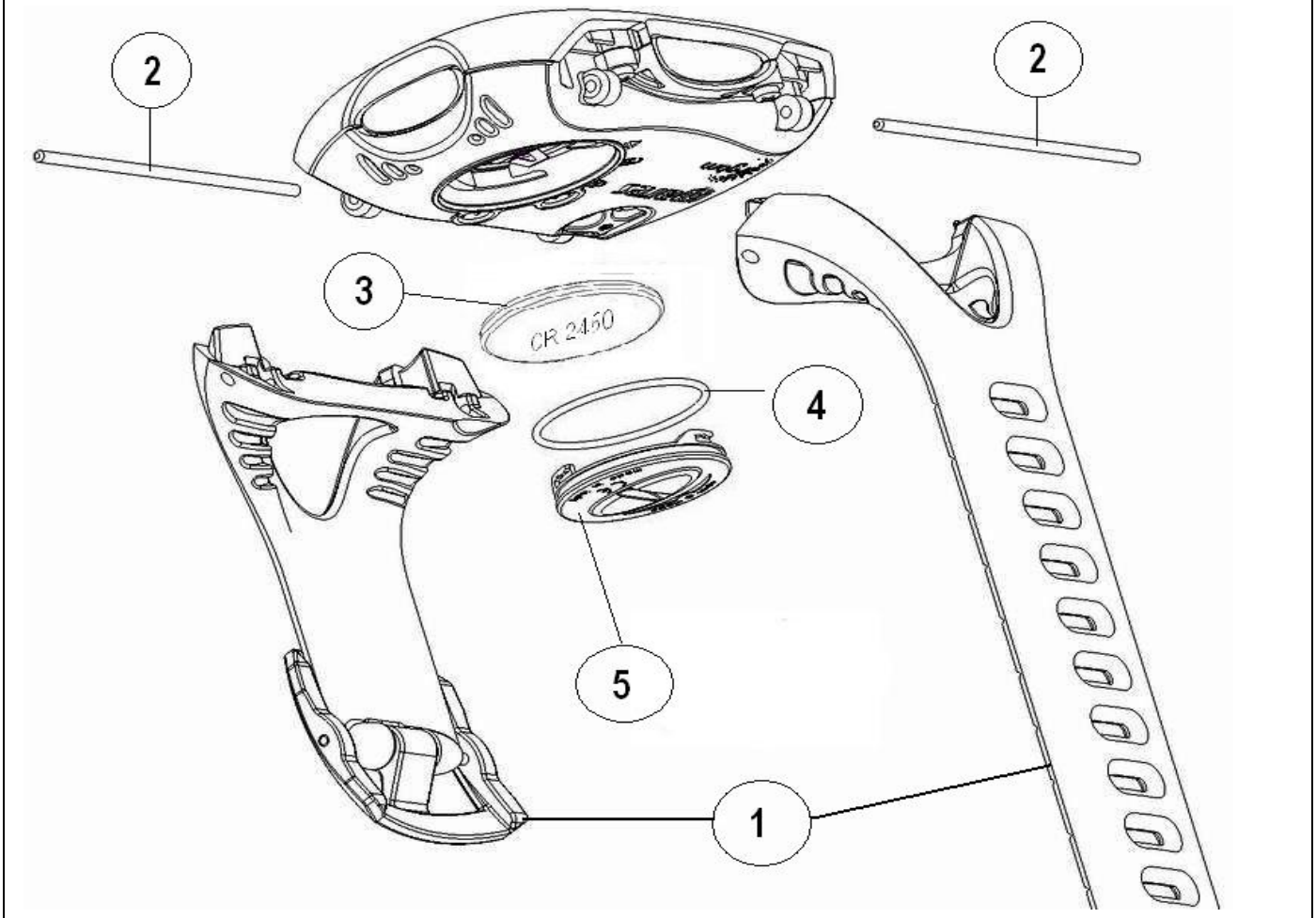


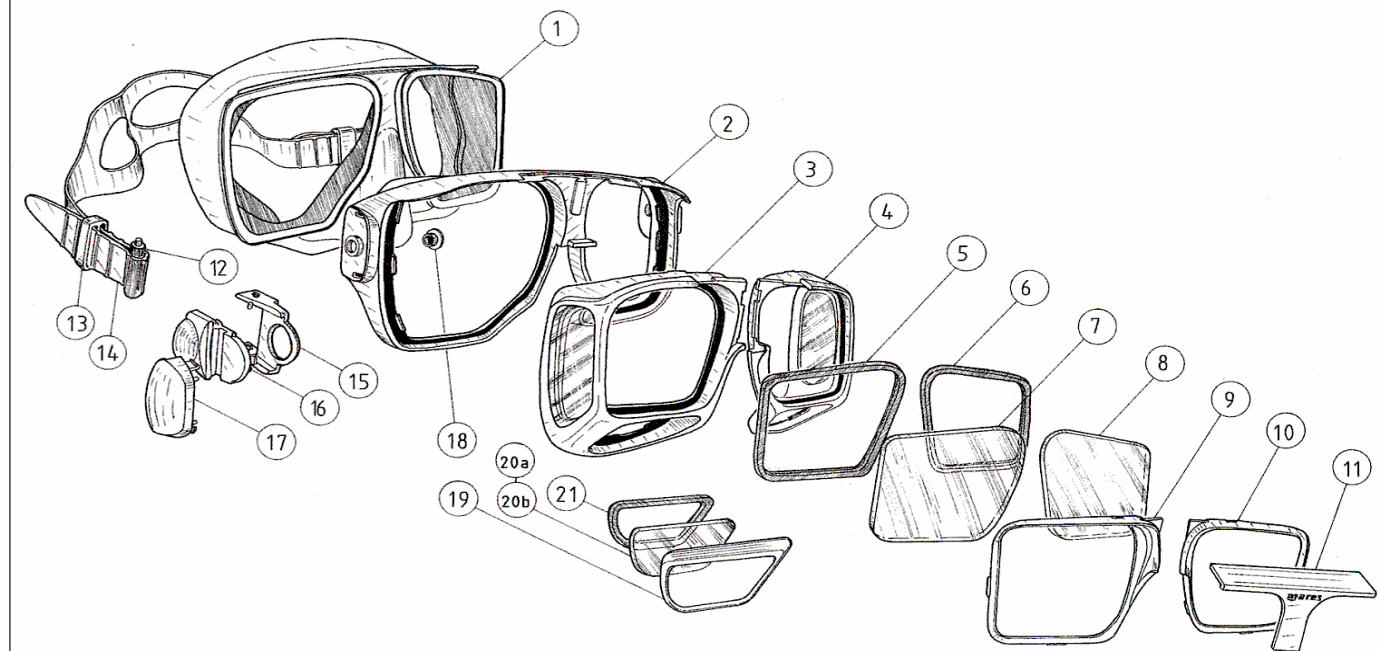
CHART NO : 607

COMPUTER NEMO WIDE

UPDATED : 20/12/2007

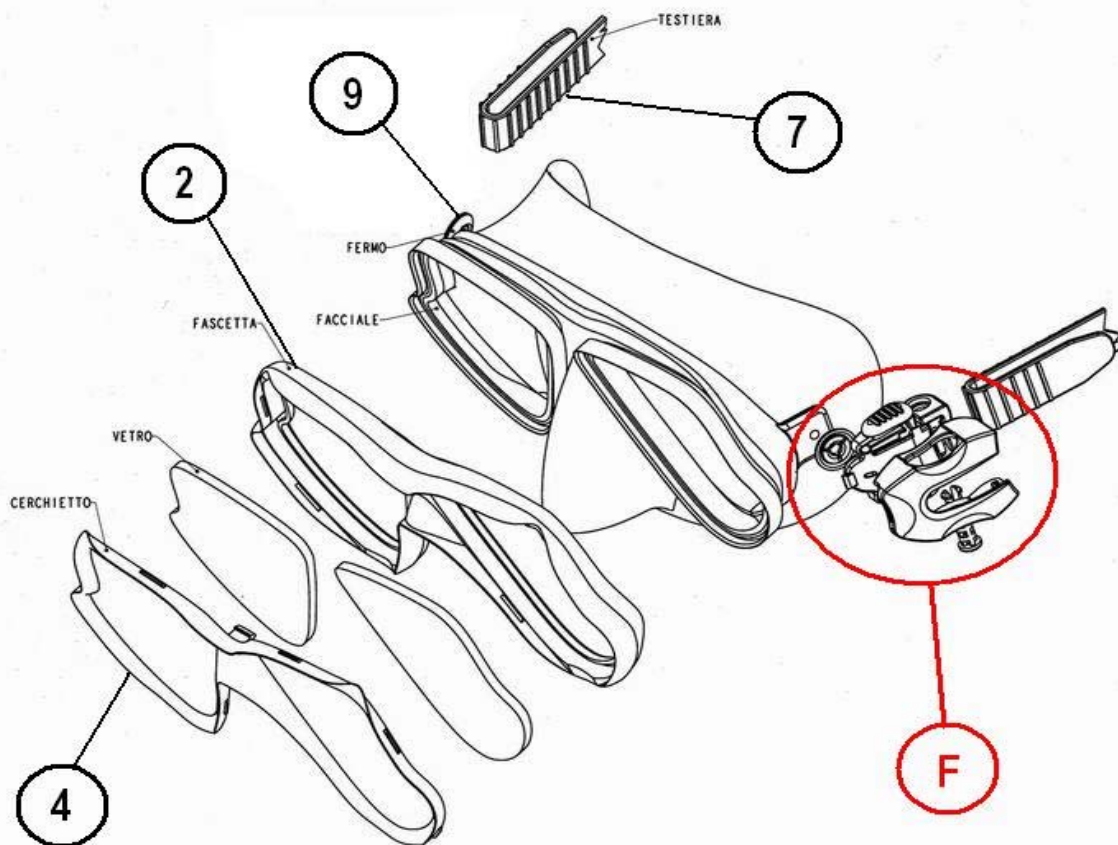
REF	CODE	DESCRIPTION	REF	CODE	DESCRIPTION
1	44200582	STRAP ASSY	5	44200565	BATTERY COVER MP
2	44200527	PIN STRAP 2x68	ASSEMBLIES		
3	44200537	BATTERY CR2450		44200802	Kit(OR+battery) Nemo Wide/Air (4+3)
4	44200723	OR NBR 70 26,3x1,2		44200803	Kit OR Nemo Wide/Air (10 pics)

MASKS



MASKS	CHART NO. 700	OPERA
	Code	411019
Mask strap, silic. clear 565 x 20	415106	7
Mask strap, silic. black 565 x 20	415105	7
Top frame Opera, blue 2k5	41200255	11
Top frame Opera, blue ref 2k5	41200254	11
Top frame Opera, yellow ref 2k5	41200253	11
Top frame Opera, black 2k5	41200265	11
Top frame Opera, yellow 2k5	41200256	11
Lens Rim DX opera blue clear	41134100	9
Lens Rim SX opera blue clear	41134101	10
Lens Rim DX opera blue ref	41200267	9
Lens Rim SX opera blue ref	41200266	10
Lens Rim DX opera yellow ref	41200250	9
Lens Rim SX opera yellow ref	41200249	10
Buckle cover , right blue	41134206	17
Buckle cover , left blue	41134207	17
Buckle cover right blue ref 2k5	41200260	17
Buckle cover left blue ref 2k5	41200259	17
Buckle cover, right yellow ref 2k5	41200257	17
Buckle cover, left yellow ref 2k5	41200258	17
Frame opera 05 clear	41200248	2
Frame opera 05 black	41200264	2
Frame opera 05 blue	41200263	2
Buckle Kit black	41139622	12-15-16-18
kit fibbia black	41139622	12-15-16-18

MASKS



MASKS	CHART NO. 701	PURE VISION	X-VISION LIQUID	X-VISION	STAR LIQUID	X-VISION MEDIUM	DEMON	X-VISION MID LIQUID	KONA	VIZEER	PURE VIZEER
	Code	411217	411027	411015	411030	411024	411025	411024	411252	411257	411258
Mask strap, silicone clear 565 x 20	41200136	7		7		7	7		7	7	7
Mask strap, silicone black 565 x 20	41200135	7		7		7	7		7	7	7
Mask strap, Liquid skin black	41200381		7		7			7			
Mask strap, Liquid skin clear	41200361		7		7			7			
DISK, BK, BUCKLE 'X' MASKS	41200140	9	9	9	9	9	9	9	9	9	9
Buckle kit "X" series Liquid Skin	41200360		F		F			F			
Buckle kit "X" series Liquid Skin BK	41200382		F					F			
Buckle kit, white	41200177	F		F		F	F				
BUCKLE KIT, 'X' MASKS, BLACK	41200178	F		F		F	F				
Buckle kit 3 pics KONA	41200362								F	F	F
Lens Rim X-Vision red	41200308			4		4					
Lens Rim X-Vision azure	41200311			4		4					
Lens Rim X-Vision yellow	41200310			4		4					
Lens Rim X-Vision blue	41200309			4		4					
Lens Rim X-Vision Clear	41200180			4		4					
Frame X-Vision black	41200278		2	2		2					
Frame X-Vision clear	41200279		2	2		2					
Frame X-Vision blue	41200359		2	2		2					
Frame X-Vision yellow	41200356		2	2		2					
Frame X-Vision pink	41200357		2	2		2					
Frame X-Vision red	41200358		2	2		2					
Frame Pure Vision	41200315	2									
FRAME Pure Vision BLK	41200316	4									
Frame Demon black	41200323						2				
Lens Rim Demon deep silver	41200324						4				
Lens Rim Demon black	41200325						4				
Lens Rim Liquid Skin	41200355		4								
Lens Rim Star Liquid Grey	41200340				4						
Frame Star Liquid Blue	41200380				2						
Frame Star Liquid Red	41200379				2						
Frame Star Liquid yellow	41200378				2						

CHART NO : 643	ACCESSORIES
CODE	DESCRIPTION
REGULATORS	
46200275	REGULATOR HOSE, SPECIAL LENGHT 3/8"
46200504	REGULATOR HOSE, SPECIAL LENGHT 1/2"
46200984	REGULATOR HOSE SUPERFLEX 3/8" 210 CM
46200985	REGULATOR HOSE SUPERFLEX 1/2" 210 CM
46200986	REGULATOR HOSE SUPERFLEX 3/8" 210 CM Yellow
46186090	OCTOPUS PLUG
46200705	TRI MATERIAL POPPET - UPGRADE KIT
MISSION WATCH	
45200284	Wrist Strap Mission Watch
NEMO SPORT	
44200608	STRAP KIT NEMO SPORT
44200609	BATTERY COVER SCREWS KIT NEMO SPORT (20 PCS)
44200610	BATTERY NEMO SPORT (2032 - 3V)+ GASKET+LABEL (5 PCS)
44200611	STRAP EXTENSION NEMO SPORT
B.C.VESTS	
47200170	WEIGHT RELEASE PIN
46200016	Valve Halkey Roberts 730 ROA (Snorkeling Vest)
47159380	COUNTER BACK PACK Icon/Alaikai (plastic part only)
CONSOLE	
44172034	BOOT W/WRIST STRAP, COMPASS
44172027	CAPSULE COMPASS NORTHERN HEMISPHERE
44172017	CAPSULE COMPASS SOUTHERN HEMISPHERE
MARES BY MOBBYS DRY SUITS	
42150061	INLET VALVE ASSY (DA 8100)
42150062	OUTLET VALVE ASSY (DA 8200)
42150060	HOSE W/WING PULLER
42150065	OUTLET VALVE WASHER - INLET VALVE WASHER
42150064	LP METAL CONNECTION CAP
42150063	METAL MALE CONNECTION
BAGS CRUISE LINE	
45200280	WHEEL KIT Cruise Roller (2 HOLES)
45200279	WHEEL KIT Cruise Roller (4HOLES)
45200271	WHEEL KIT LEFT CRUISE BackPack pro
45200272	WHEEL KIT RIGHT CRUISE BackPack pro
45200273	WHEEL KIT LEFT CRUISE Cargo
45200274	WHEEL KIT RIGHT CRUISE Cargo
45200234	WHEEL SCREW KIT,
SNORKELS	
41200386	MOUTHPIECE Hydrex Family
41200387	MOUTHPIECE Hydrex J
41200388	MOUTHPIECE Breezer J/Guard
41200389	MOUTHPIECE Breezer Purge
41200390	SNORKEL-KEEPERS KIT for Breezer (6pz)
DIVE LIGHT	
45200281	Front bezel pro lead
45200282	Reflector w/bulb pro lead
45200283	Service kit 10 OR(5+5) Front bezel pro lead
45200285	Front bezel strobe beam led side
45200286	Reflector w/flash bulb Strobe beam
45200287	Reflector w/led bulb Strobe beam
45200288	Service kit (5+5) STROBE BEAM

SPECIAL TOOL KIT FOR REGULATOR/BCV

Code 416903

Tool, inflator release button



Codice 47106190

Demand lever adjusting tool



[B-20]
Codice 46106220

1st stage disassembling tool



[B-5]
Codice 46106205

HP seat removal tool



[B-21]
Codice 46106221

Demand lever assembling tool
2nd stage OR insert tool



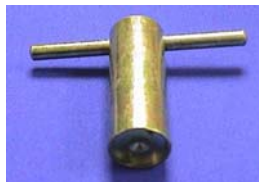
[B-6]
Codice 46106206

HP seat removal tool, piston 1st stage



[B-22]
Codice 46106222

Disassembling tool, 1st stage poppet
mrz02



[B-11]
Codice 46106211

Wrench, yoke retaining nut, 1° st.



[b-1]
Codice 46106201

Demand lever adjusting tool B-12



[B-12]
Codice 46106212

Demand lever adjust. Gauge Akros/Nikos



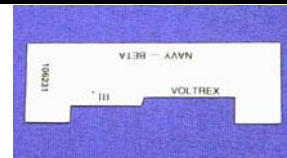
Codice 46106230

Tool, LP inflator valve



[C2]
Codice 46200156

Demand lever adjust. Gauge
Voltrex/Beta



Codice 46106231

Assembly tool, 2nd
stage valve PROTON



[B-36]
Codice 46200383

Demand lever adjust. Gauge, Abyss Turbo Flow



Codice 46200260

V42 valve seat
disassembling tool



[B-38]
Cod.46200634

V42 valve seat assembling



[B-39]
Cod.46200633

Special tool for Airtrim 2K3 dump valve seat



[C4]
Cod.47200756















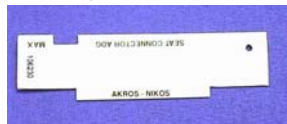

















Special tool for Airtrim dump valves



[C3]
Cod.47200087

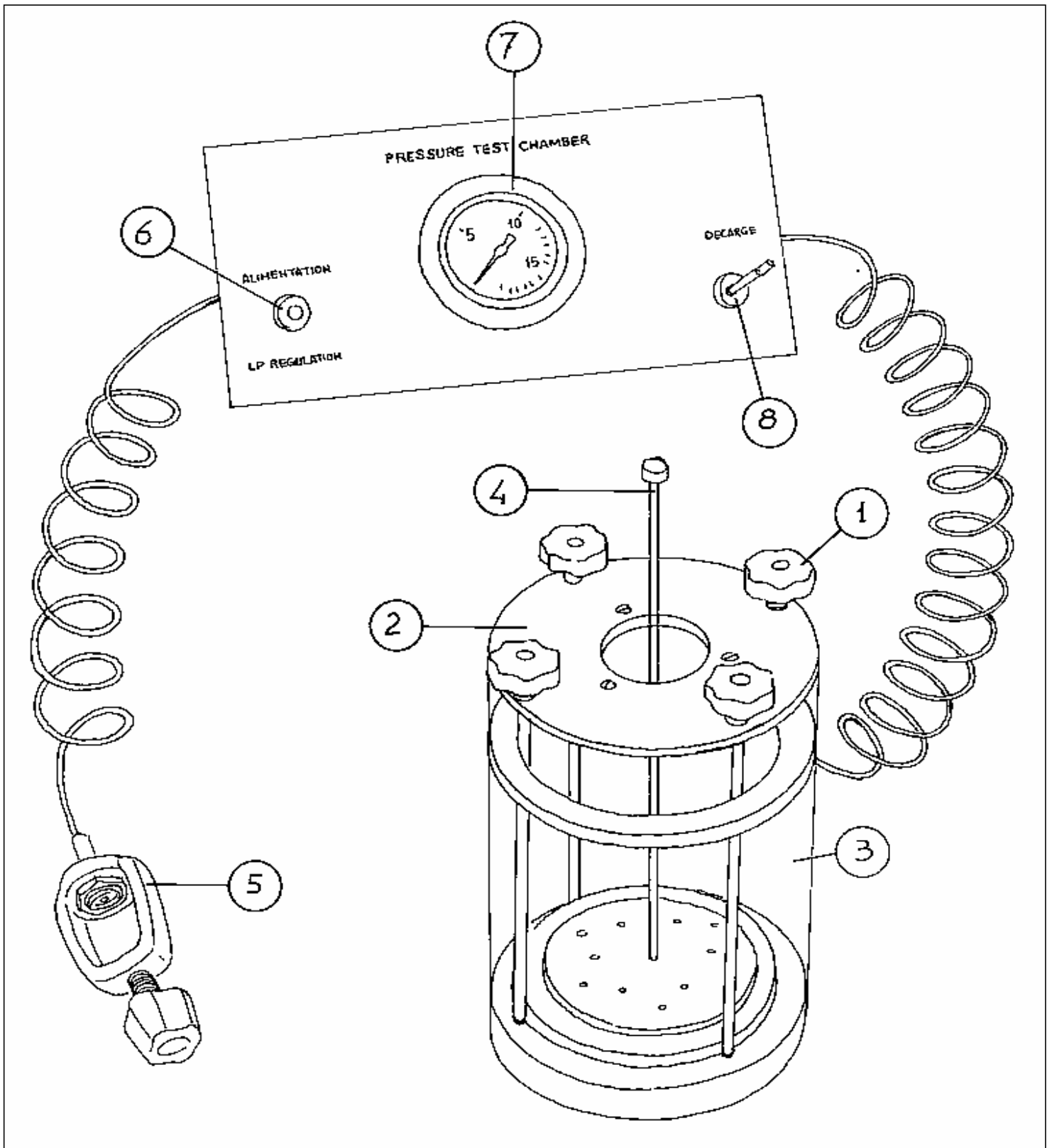
Tool kit for regulators/BCV

Code 416902

<p>1st stage disassembling tool</p>  <p>[B-5] Code 46106205</p>	<p>Wrench, R2 1st stage cap,</p>  <p>[B-23] Code 46106223</p>	<p>Tool, LP inflator valve</p>  <p>[C2] Code 46200156</p>
<p>Allen wrench, 2nd stage adjustment, 5mm</p>  <p>[B-4] Code 46106204</p>	<p>Disassembling tool, 1st stage poppet MRZ02</p>  <p>[B-11] Code 46106211</p>	<p>Demand lever adjusting tool B-12</p>  <p>[B-12] Code 46106212</p>
<p>Allen wrench, 1st stage cap, 6mm</p>  <p>[B-8] Code 46106208</p>	<p>Assembly tool, 2nd stage valve Proton</p>  <p>[B-36] Code 46200383</p>	<p>Demand lever adjusting tool B-12</p>  <p>[B-20] Code 46106220</p>
<p>Allen wrench, 10mm</p>  <p>[B-13] Code 46106213</p>	<p>HP seat removal tool</p>  <p>[B-21] Code 46106221</p>	<p>Demand lever assembling tool</p>  <p>[B-6] Code 46106206</p>
<p>Demand lever adj Akros/Nikos</p>  <p>Code 46106230</p>	<p>Demand lever adj Voltrex/Beta</p>  <p>Code 46106231</p>	<p>Demand lever adj Abyss Turbo Flow</p>  <p>Code 46200260</p>
<p>HP seat removal tool, piston 1st stage</p>  <p>[B-22] Code 46106222</p>	<p>compass tool</p>  <p>[B-25] cod.46106253</p>	<p>Snap ring plier B-14</p>  <p>[B-14] Code46106214</p>
<p>V42 valve seat disassembling tool</p>  <p>[B-38] Cod.46200634</p>	<p>Special tool for Airtrim 2K3 dump valve seat</p>  <p>[C4] Cod.47200756</p>	<p>Tool, inflator release button</p>  <p>Codice 47106190</p>
<p>Wrench, diaphragm r. retaining nut, 1st 32mm</p>  <p>[B-16] Code 46106216</p>	<p>Wrench, diaphragm retaining nut 1st 30 mm</p>  <p>[B-40] Cod. 46200608</p>	<p>Wrench, 1st stage diaphragm retaining nut 28mm</p>  <p>[B-2] Code 46106202</p>
<p>Wrench, yoke retaining nut, 1° st. 25mm</p>  <p>[B-1] Code 46106201</p>	<p>Wrench, 2nd st. hose connector 17mm</p>  <p>[B-17] Code 46106217</p>	<p>Wrench, yoke retaining nut, 1° st. 14mm</p>  <p>[B-18] Code 46106218</p>
<p>V42 valve seat assembling tool</p>  <p>[B-39] Cod.46200633</p>		<p>Special tool for Airtrim dump valves</p>  <p>[C3] Cod.47200087</p>

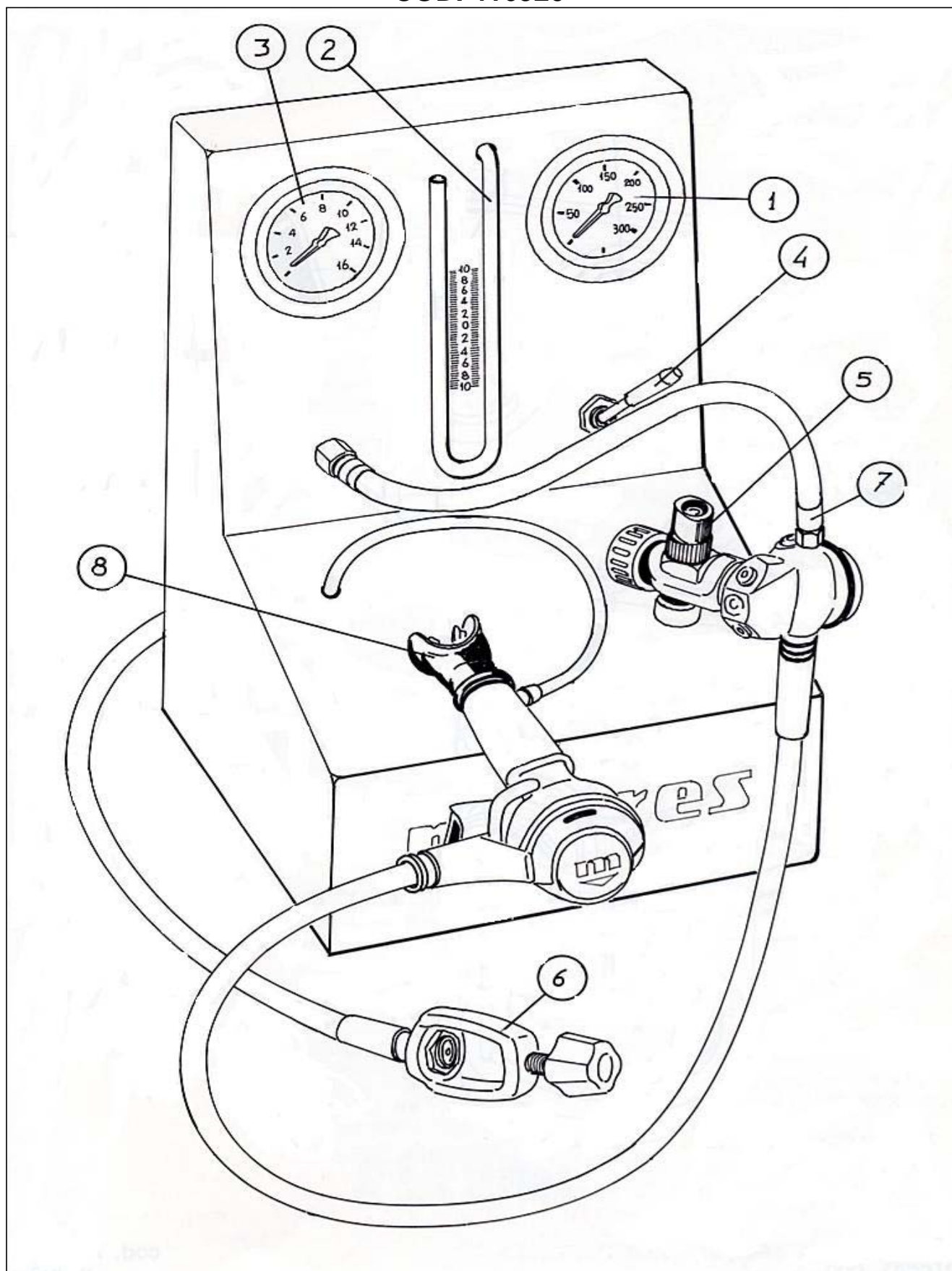
PRESSURE TEST CHAMBER

COD. 414991



REGULATOR TEST BENCH

COD. 416920



PORTABLE REGULATOR TEST BENCH

COD. 416922

