

# TABLE OF CONTENTS

# 2010

THIS SPARE PARTS LIST SUPERSEDES ALL PREVIOUS EDITIONS

## SPEARGUNS

CYRANO.....	PAG.
SPARK MIMETIC.....	PAG.
STEN 2001.....	PAG.
JET.....	PAG.
INSTINCT .....	PAG.
PHANTOM.....	PAG.

## MASKS

Masks.....	PAG.
------------	------

## TOOL KITS

Spearguns Tool Kit .....	PAG.
--------------------------	------

ACCESSORIES.....	PAG.
------------------	------



The manual is of ownership of MARES S.p.A. that it reserves him to bring changes. All the reserved rights. The total or partial reproduction of this publication is forbidden, on any support, without explicit authorization written of the MARES S.P.A. that it holds to full title of it all the rights.

Every use not authorized will be pursued to norm of law

2

3

4

5

6

7

8

9

10

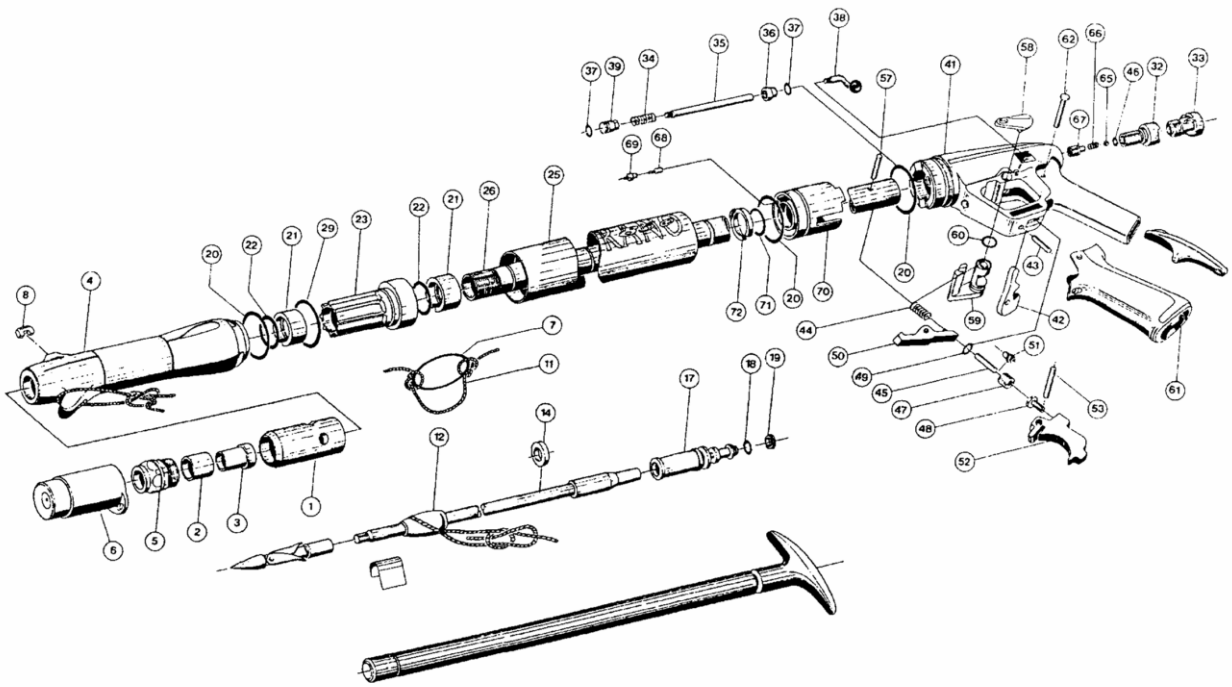
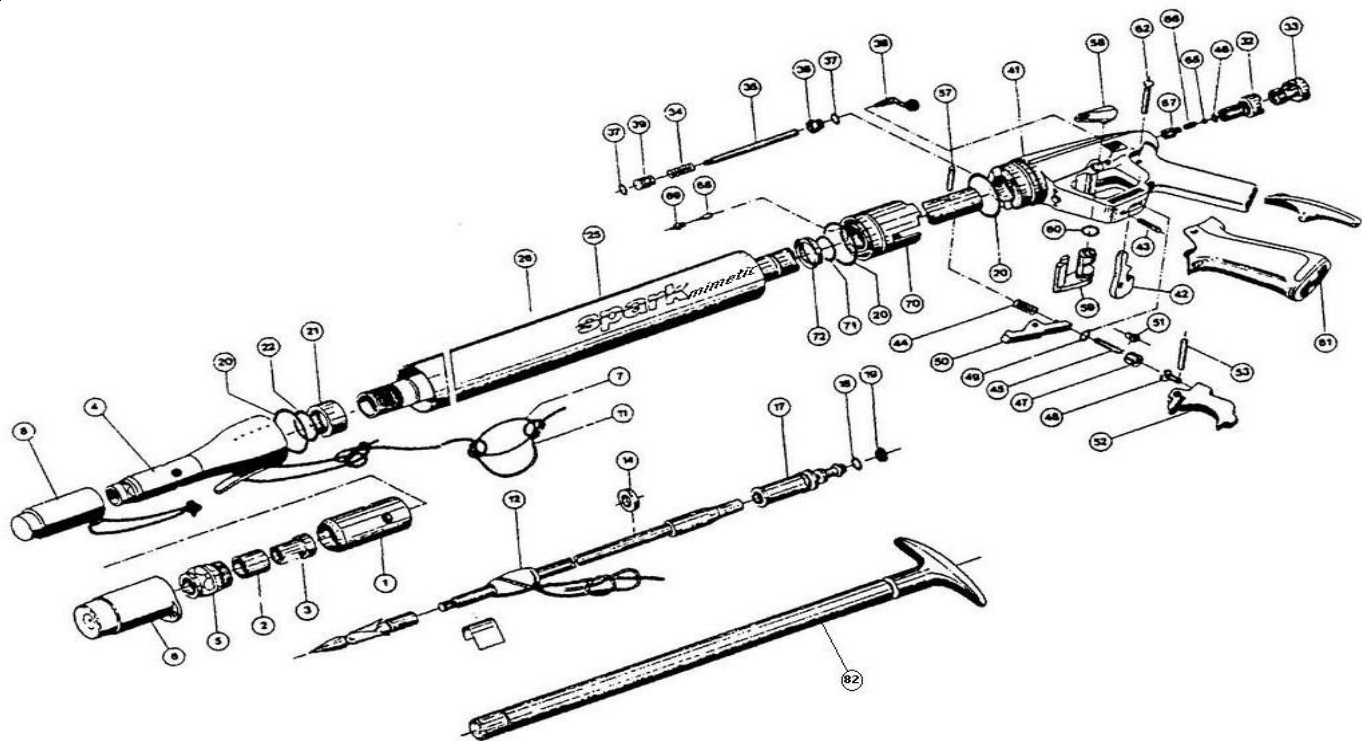


CHART NO. 500

## CYRANO SPEARGUN

UPDATED: 12/01/2009

REF	CODE	DESCRIPTION	REF	CODE	DESCRIPTION
1	A		41	H	
2	43163856	SHOCK ABSORBER, SPEARGUN	42	43163668	LINE RELEASE, SPEARGUN
3	43164207	SHOCK ABSORBER INSERT	43	43163614	PIN, LINE RELEASE, SPEARGUN
4	43164200	NOSE CONE	44	43163313	SPRING CATCH HOOK
5	43164206	HEAD FERRULE	45	43164282	CONNECTING PLUNGER 1,5 diameter
6	43164008	PROTECTIVE CAP HEAD	46	46110201	OR R/1
7	43163968	RUBBER O-RING	47	43164284	HOUSING CONNECTING PLUNGER
8	43164201	VIEW FINDER	48	E	
11	43169821	SHOCK LINE, 3 MTS	49	46110242	O-RING 2-003
11	43169818	SHOCK LINE, 5 MTS	50	43163377	CATCH HOOK, SPEARGUN
12	43164004	LINE RETAINER	51	43164286	SPACING SLEEVE
14	43163503	WASHER DIA 7.2, CYRANO	52	E	
17	N		53	43163337	PIN 4 X 23
18	46110107	OR 2031	57	43163338	PIN 4 X 20
19	N		58	43164237	SAFETY CATCH
20	46110208	OR SH 75 F SPECIAL	59	43164236	SAFETY BODY
21	43164204	BUSHING	60	46110106	OR 106
22	46110228	OR 3062	61	43164232	GUN HANDLE, SOFT, CYRANO
23	43164202	NOSE CONE INSERT	62	43164233	PIN HANDLE
25	43164225	TANK CYRANO 550	65	M	
25	43164226	TANK CYRANO 700	66	M	
25	43164227	TANK CYRANO 850	67	M	
25	43164228	TANK CYRANO 970	68	43163635	SEAT, ONE-WAY VALVE, SPEARGUN
25	43164229	TANK CYRANO 1100	69	43163636	HOUSING, ONE-WAY VALVE, SPEARGUN
26	43164215	BARREL CYRANO 550	70	D	
26	43164216	BARREL CYRANO 700	71	46110227	OR 3056
26	43164217	BARREL CYRANO 850	72	43164212	CLIP 16 POWER REGULATOR
26	43164218	BARREL CYRANO 970	<b>ASSEMBLIES</b>		
26	43164219	BARREL CYRANO 1100	A	43164210	HEAD ASSEMBLY (1-2-3-5)
29	46110245	OR 2106	D	43164214	POWER REGULATOR ASSEMBLY (68-69-70)
32	M		E	43164230	TRIGGER ASSEMBLY (48-52)
33	43164223	CAP INLET VALVE	H	43164287	HANDLE ASSEMBLY APNEA SYSTEM (38-41-42-43-47-49-51-58-59-60-L)
34	L		L	43163937	POWER ADJUSTMENT ROD, (34-35-36-37-39)
35	L		M	43164222	INLET VALVE ASSEMBLY, CYRANO (32-46-65-66-67)
36	L		N	43164211	PISTON ASSEMBLY (17-18-19)
37	46110102	OR 2015	* * *	43164290	COMPLETE SET OF O-RINGS (18-19-20-22-29-37-46-60-71)
38	43164234	SLIDER ASSY			
39	L				



REF.	CODE	DESCRIPTION	REF.	CODE	DESCRIPTION
1	<b>A</b>		43	43163614	PIN, LINE RELEASE, SPEARGUN
2	43163856	SHOCK ABSORBER, SPEARGUN	44	43163313	SPRING CATCH HOOK
3	43164207	SHOCK ABSORBER INSERT	45	43164282	CONNECTING PLUNGER 1,5
4	43164301	NOSE CONE	46	43110201	OR R/1
5	<b>A</b>		47	43164284	HOUSING CONNECTING PLUNGER
6	43164008	PROTECTIVE CAP HEAD	48	<b>E</b>	
7	43163968	RUBBER O-RING	49	46110242	O-RING 2-003
11	43169821	SHOCK LINE, 3 MTS	50	43163377	CATCH HOOK, SPEARGUN
11	43169818	SHOCK LINE, 5 MTS	51	43164286	SPACING SLEEVE APNEA SYSTEM
12	43164004	LINE RETAINER	52	<b>E</b>	
14	43163503	WASHER DIA 7.2,	53	43163337	PIN 4 X 23
17	<b>N</b>		57	43163338	PIN 4 X 20
18	46110107	OR 2031	58	43163539	SAFETY STOP
19	<b>N</b>		59	43163538	SAFETY BODY
20	46110208	OR SH 75 F SPECIAL	60	46110106	OR 106
21	43164204	BUSHING	61	43163540	HANDLE COVER
22	46110228	OR 3062	62	43164233	PIN HANDLE
25	43164302	TANK STEALTH 550	65	43163808	BALL BEARING INLET VALVE
25	43164303	TANK STEALTH 700	66	43163807	SPRING, INLET VALVE SPEARGUN
25	43164304	TANK STEALTH 850	67	43164220	BUSHING INLET VALVE
25	43164305	TANK STEALTH 970	68	43163635	SEAT, ONE-WAY VALVE, SPEARGUN
25	43164306	TANK STEALTH 1100	69	43163636	HOUSING, ONE-WAY VALVE, SPEARGUN
26	43164215	BARREL STEALTH 550	70	<b>D</b>	
26	43164216	BARREL STEALTH 700	71	46110227	OR 3056
26	43164217	BARREL STEALTH 850	72	43164212	CLIP 16 POWER REGULATOR
26	43164218	BARREL STEALTH 970	<b>ASSEMBLIES</b>		
26	43164219	BARREL STEALTH 1100	82	423901	AIR PUMP, SCREW CONNECTION
32	<b>M</b>		<b>A</b>	43164210	HEAD ASSY (1-2-3-5)
33	43163563	WHITE CAP INLET VALVE	<b>D</b>	43164214	POWER REGULATOR ASSEMBLY (68-69-70)
34	<b>L</b>		<b>E</b>	43164230	TRIGGER ASS.Y SPARK (48-52)
35	<b>L</b>		<b>H</b>	43200354	HANDLE ASSY W/REG. STEALTH SPRGN (38-41-42-43-46-47-61- L)
36	<b>L</b>		<b>L</b>	43163937	POWER ADJUSTMENT ASSY (34-35-36-37-39)
37	46110102	OR 2015	<b>M</b>	43164222	INLET VALVE ASSY (32-46-65-66-67)
38	<b>L</b>		<b>N</b>	43164211	PISTON ASSY (17-18-19)
39	<b>L</b>		<b>***</b>	43164290	COMPLETE SET OF O-RINGS ( 18-19-20-22-37-46-49-60-71)
41	<b>H</b>				
42	43163668	LINE RELEASE, SPEARGUN			

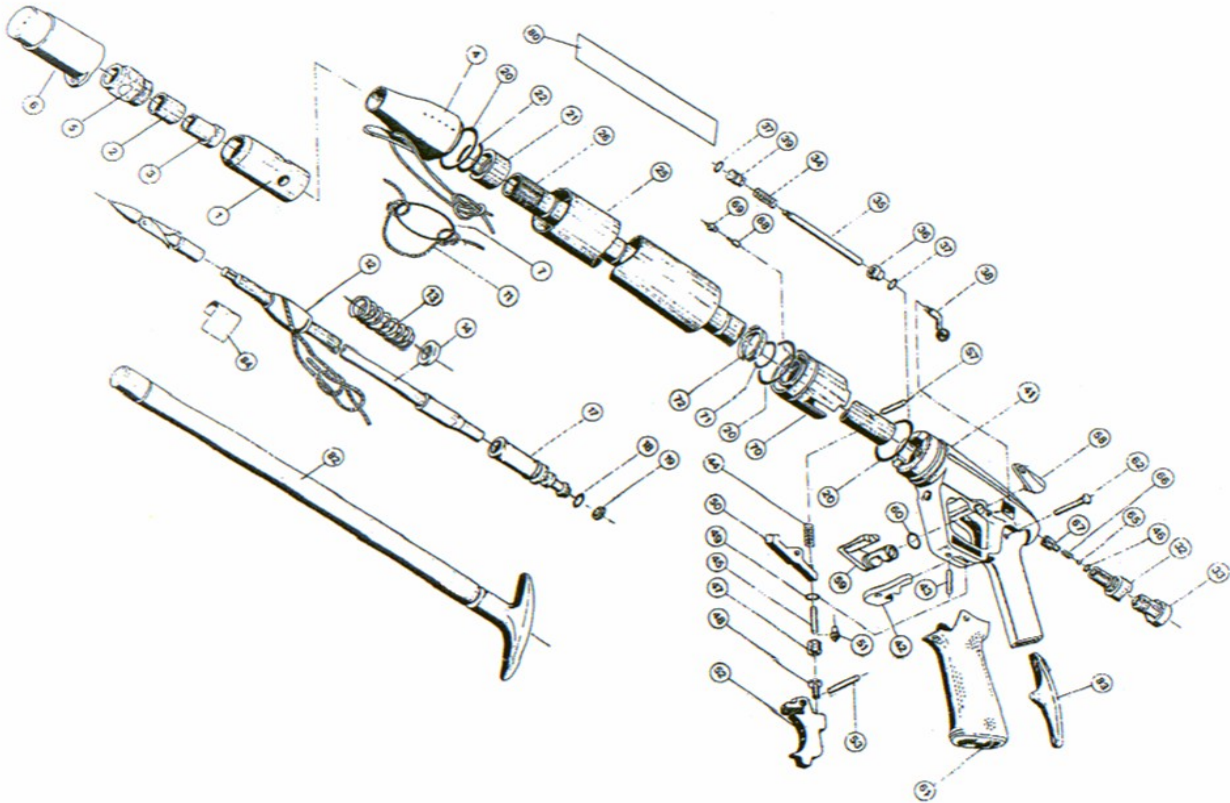
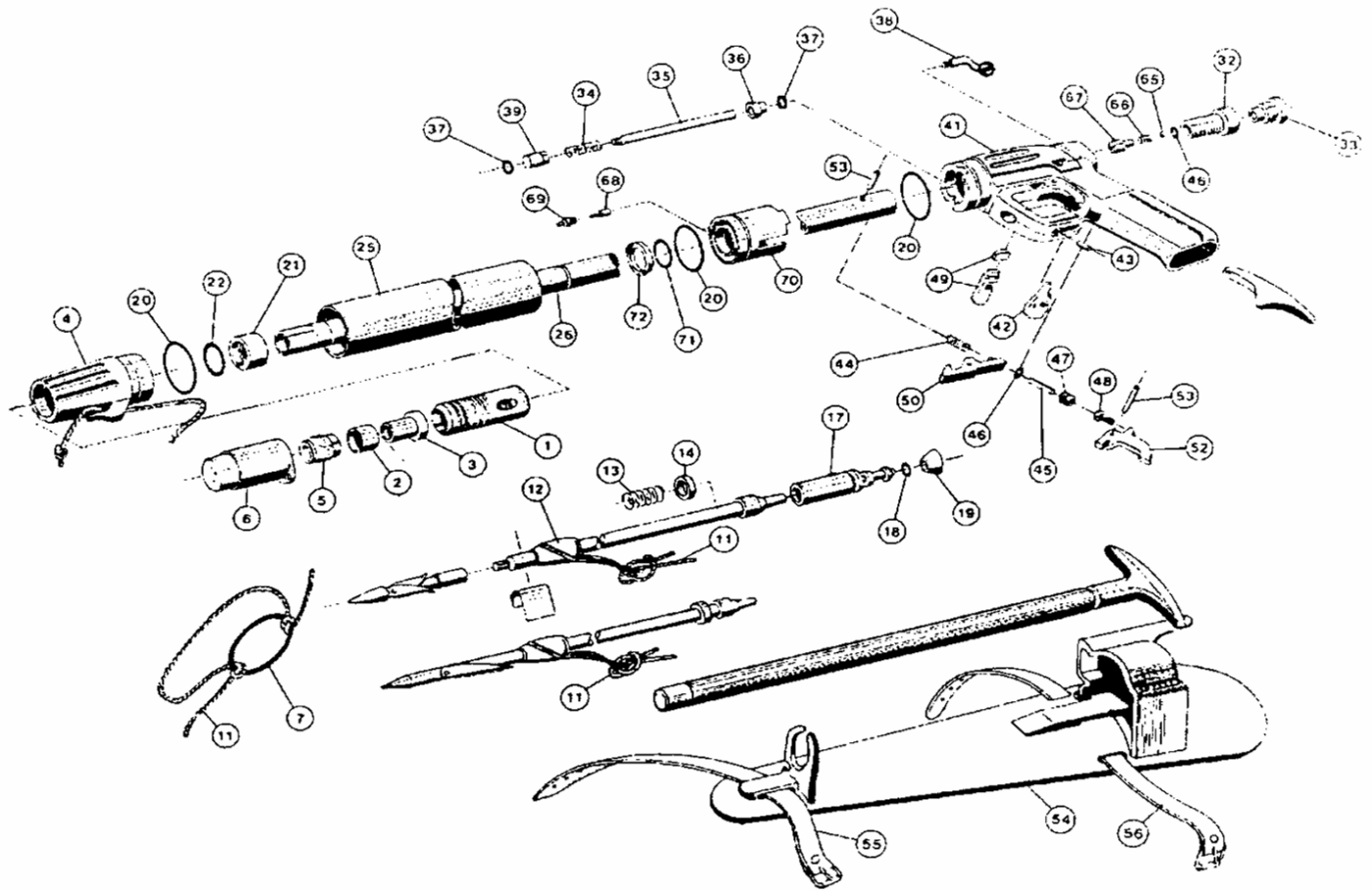
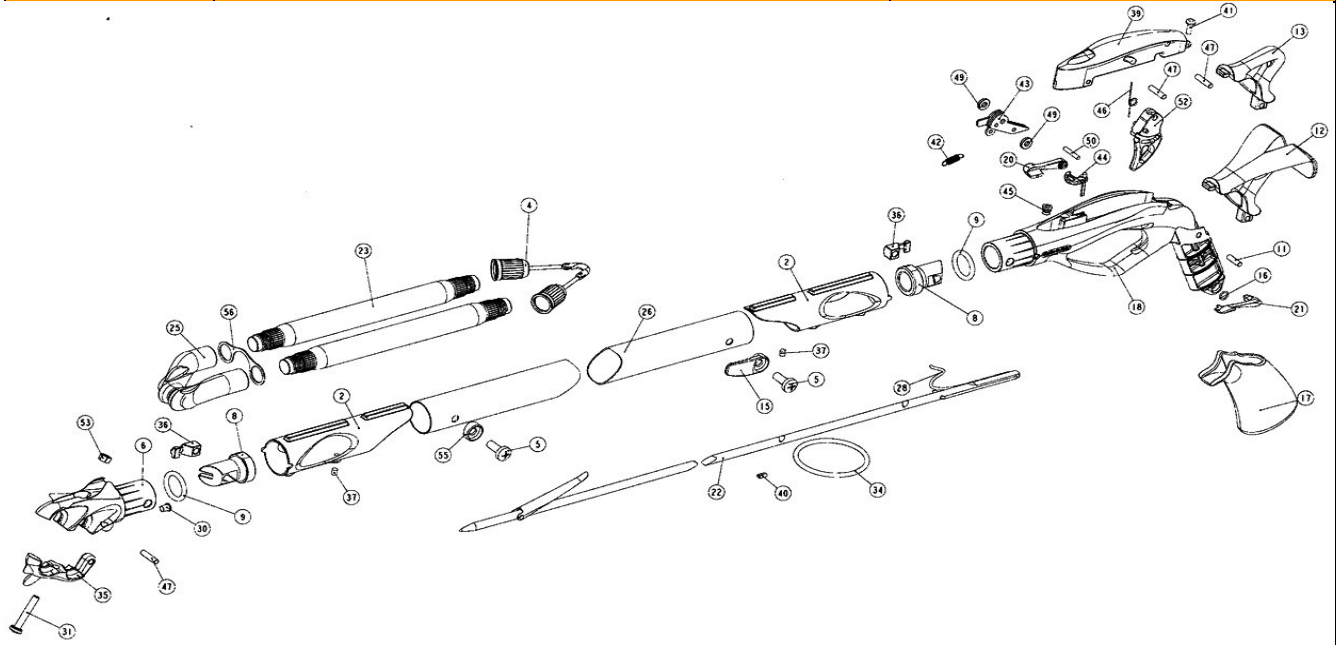


CHART NO. 504		STEN 2001 SPEARGUN		UPDATED : 01/12/2008	
REF	CODE	DESCRIPTION	REF	CODE	DESCRIPTION
1	<b>A</b>		44	43163313	SPRING CATCH HOOK
2	43163856	SHOCK ABSORBER, SPEARGUN	45	43164282	CONNECTING PLUNGER 1,5 DIAMETER
3	43163409	SHOCK ABSORBER INSERT, SPEARGUN	46	46110201	OR R/1
4	43200093	NOSE CONE	47	43164284	HOUSING CONNECTING PLUNGER
5	43164016	HEAD FERRULE	48	<b>E</b>	
6	43164008	PROTECTIVE CAP HEAD	49	46110242	OR 2-003 Apnea System
7	43163968	RUBBER O-RING	50	43163377	CATCH HOOK, SPEARGUN
11	43169821	SHOCK LINE, 3 MTS	51	43200095	PISTON BUSHING
11	43169818	SHOCK LINE, 5 MTS	52	<b>E</b>	
12	43163355	LINE RETAINER, 8.5 MM SPEARGUN	53	43163337	PIN 4 X 23
13	43163354	SHAFT SPRING, 8.5 MM I.D.SPEARGUN	57	43200098	PIN 4X23,5
14	43163505	SHAFT WASHER, 8.2 MM D	58	43164237	SAFETY CATCH
17	<b>N</b>		59	43164236	SAFETY BODY
18	46110110	OR 2037	60	46110106	OR 106
19	<b>N</b>		61	43163540	HANDLE
20	46110208	OR Speciale	62	43164233	PIN HANDLE
21	43163665	BUSHING SPEARGUN STEN LINE	65	<b>M</b>	
22	46110206	OR 122 BIS	66	<b>M</b>	
25	43200069	TANK STEN MINIMINI 42	67	<b>M</b>	
25	43200070	TANK STEN MINI 58	68	43163635	SEAT, ONE-WAY VALVE, SPEARGUN
25	43200071	TANK STEN MEDI 70	69	43163636	HOUSING, ONE-WAY VALVE, SPEARGUN
25	43200072	TANK STEN 84	70	<b>D</b>	
25	43200073	TANK SUPER STEN 100	71	46110220	OR 2062
26	43200064	BARREL MINIMINISTEN 42	72	43163518	CIRCLIP, POWER REG., SPEARGUN
26	43200057	BARREL MINISTEN 58	83	43160710	SIMPLE SPEARGUN LOADER
26	43200059	BARREL MEDISTEN 70	<b>ASSEMBLIES</b>		
26	43200063	BARREL STEN 84	82	423901	AIR PUMP, SCREW CONNECTION
26	43200061	BARREL SUPER STEN 100	<b>A</b>	43200066	HEAD ASSY ( 1-2-3-5 )
32	<b>M</b>		<b>D</b>	43163638	POWER REG.BLOCK ASSEMBLY ( 68-69-70 )
33	43163563	CAP INLET VALVE WHITE	<b>E</b>	43164230	TRIGGER ASSEMBLY (48-52)
34	<b>L</b>		<b>G</b>	43200097	HANDLE ASSY W/O POWER REGULATION (41-42-43-47-49-51-58-59-60)
35	<b>L</b>		<b>H</b>	43200096	HANDLE ASSY WITH POWER REGULATION (38-41-42-43-47-49-51-58-59-60-L)
36	<b>L</b>		<b>L</b>	43163937	POWER ADJUSTMENT ROD ( 34-35-36-37-39 )
37	46110102	OR 2015	<b>M</b>	43163941	INLET VALVE ASSEMBLY ( 32-46-65-66-67 )
38	43164234	SLIDER ASSY	<b>N</b>	43163629	PISTON ASSEMBLY ( 17-18-19 )
39	<b>L</b>		<b>P</b>	43163683	LEG SHEATH ASSEMBLY MINIMISTEN
41	<b>H</b>		<b>**</b>	43163979	SET OF GASKETS, SPEARGUNS ( 18-19-20-22-37-46-49-60-71 )
41	<b>G</b>				
42	43163668	LINE RELEASE, SPEARGUN			
43	43163614	PIN, LINE RELEASE, SPEARGUN			



REF	CODE	DESCRIPTION	REF	CODE	DESCRIPTION
1	<b>A</b>		43	43163614	PIN, LINE RELEASE, SPEARGUN
2	43163856	SHOCK ABSORBER, SPEARGUN	44	43163313	SPRING CATCH HOOK
3	43163409	SHOCK ABSORBER INSERT, SPEARGUN	45	43163344	CONNECTING PLUNGER
4	43164101	NOSE CONE BLUE	46	46110201	OR R/1
5	43164102	HEAD FERRULE	47	43164024	HOUSING CONNECTING PLUNGER
6	43164138	PROTECTIVE CAP HEAD Blue	48	<b>E</b>	
7	43163968	RUBBER O-RING	49	43164150	SAFETY CATCH, ORANGE
11	43169821	SHOCK LINE, 3 MTS	50	43163377	CATCH HOOK, SPEARGUN
11	43169818	SHOCK LINE, 5 MTS	52	<b>E</b>	
12	43163355	LINE RETAINER, 8.5 MM SPEARGUN	53	43163337	PIN 4 X 23
13	43163354	SHAFT SPRING, 8.5 MM I.D.SPEARGUN	54	<b>P</b>	
14	43163505	SHAFT WASHER, 8.2 MM D	55	<b>P</b>	
17	<b>N</b>		56	<b>P</b>	
18	46110110	OR 2037	65	<b>M</b>	
19	<b>N</b>		66	<b>M</b>	
20	46110208	OR SH 75 F SPECIAL	67	<b>M</b>	
21	43163665	BUSHING SPEARGUN	68	43163635	SEAT, ONE-WAY VALVE, SPEARGUN
22	46110206	OR 122 BIS	69	43163636	HOUSING, ONE-WAY VALVE, SPEARGUN
25	43164113	TANK JET 42	70	<b>D</b>	
25	43164114	TANK JET 58	71	46110220	OR 2062
25	43164115	TANK JET 70	72	43163518	CIRCLIP, POWER REGULATOR
26	43163362	BARREL JET 42	<b>ASSEMBLIES</b>		
26	43163361	BARREL JET 58	<b>A</b>	43164103	HEAD ASSEMBLY BLUE (1-2-3-5)
26	43163639	BARREL JET 70	<b>D</b>	43163638	POWER REGULATOR ASSEMBLY (68-69-70)
32	<b>M</b>		<b>E</b>	43163612	TRIGGER ASSEMBLY (48-52)
33	43164159	CAP INLET VALVE ORANGE	<b>G</b>	43164153	HANDLE ASS,Y W/O POWER ADJUSTMENT BL. (41-42-43-46-47-49)
34	<b>L</b>		<b>H</b>	43164155	HANDLE ASSY.W/POWER ADJUST STEN BLUE (L- 38-41-42-43-46-47-49)
35	<b>L</b>		<b>L</b>	43163937	POWER ADJUSTMENT ROD, SPGN (34-35-36-37-39)
36	<b>L</b>		<b>M</b>	43163941	INLET VALVE ASSEMBLY (32-46-65-66-67)
37	46110102	OR 2015	<b>N</b>	43163629	PISTON ASSEMBLY (17-18-19)
38	43164234	Cursore completo Nero	<b>P</b>	43163683	LEG SHEATH ASSEMBLY JET 42
39	<b>L</b>		<b>** *</b>	43163979	COMPLETE SET OF O-RINGS (18-19-20-22-37-46-71)
41	<b>H</b>				
41	<b>G</b>				
42	43163613	LINE RELEASE BLACK			



REF	CODE	DESCRIPTION	REF	CODE	DESCRIPTION
2	43200180	SHAFT GUIDE	36	43200195	CONICAL INSERT
4	43165503	NOSE CONE (one)	37	43200181	DOWEL
4	43165505	ARTICULATED NOSE CONE	39	<b>X X X</b>	
5	43200171	SCREW	40	43165034	LINE RETAINER
6	43200220	HEAD UPPER PART	41	45111001	SCREW 9 X 13
8	43200194	O-RING SEAT	42	<b>X X X</b>	
9	43200169	OR 4075	43	<b>X X X</b>	
11	43200223	PIN D4 L24 LNG	44	43200357	LINE RELEASE
12	43200188	LOADING SUPPORT	45	47158713	NSERT M4
13	43200187	REAR SUPPORT (one)	46	<b>X X X</b>	
15	43200179	LINE RETAINER	47	<b>X X X</b>	
16	43200170	OR 6 X 1	49	<b>X X X</b>	
17	43200186	HANDLE COVER	50	<b>X X X</b>	
18	43200184	HANDLE	52	<b>X X X</b>	
20	43200355	SAFETY RIGHT	53	43200177	NUT INOX M5
21	43200356	SAFETY LEFT	55	43200178	WASHER
22	<b>X X X</b>		56	43200312	METAL BRIDGE
23	<b>X X X</b>				
25	43200222	RING NUT SLING			<b>ASSEMBLIES</b>
26	<b>X X X</b>		<b>A</b>	43200253	HANDLE ASSY
28	<b>X X X</b>				(C-8-9-11-12-13-17-18-20-21-36-41-44-45)
30	43200183	GUIDE LINE	<b>B</b>	43200254	HEAD ASSY
31	43200173	SCREW 5 X 30			(6-8-9-25-30-31-35-36-47-53)
34	43163968	RUBBER RING	<b>C</b>	43200351	TRIGGER MECHANISM ASSY
35	43200221	HEAD LOWER PART			(39-42-43-46-47-49-50-52)



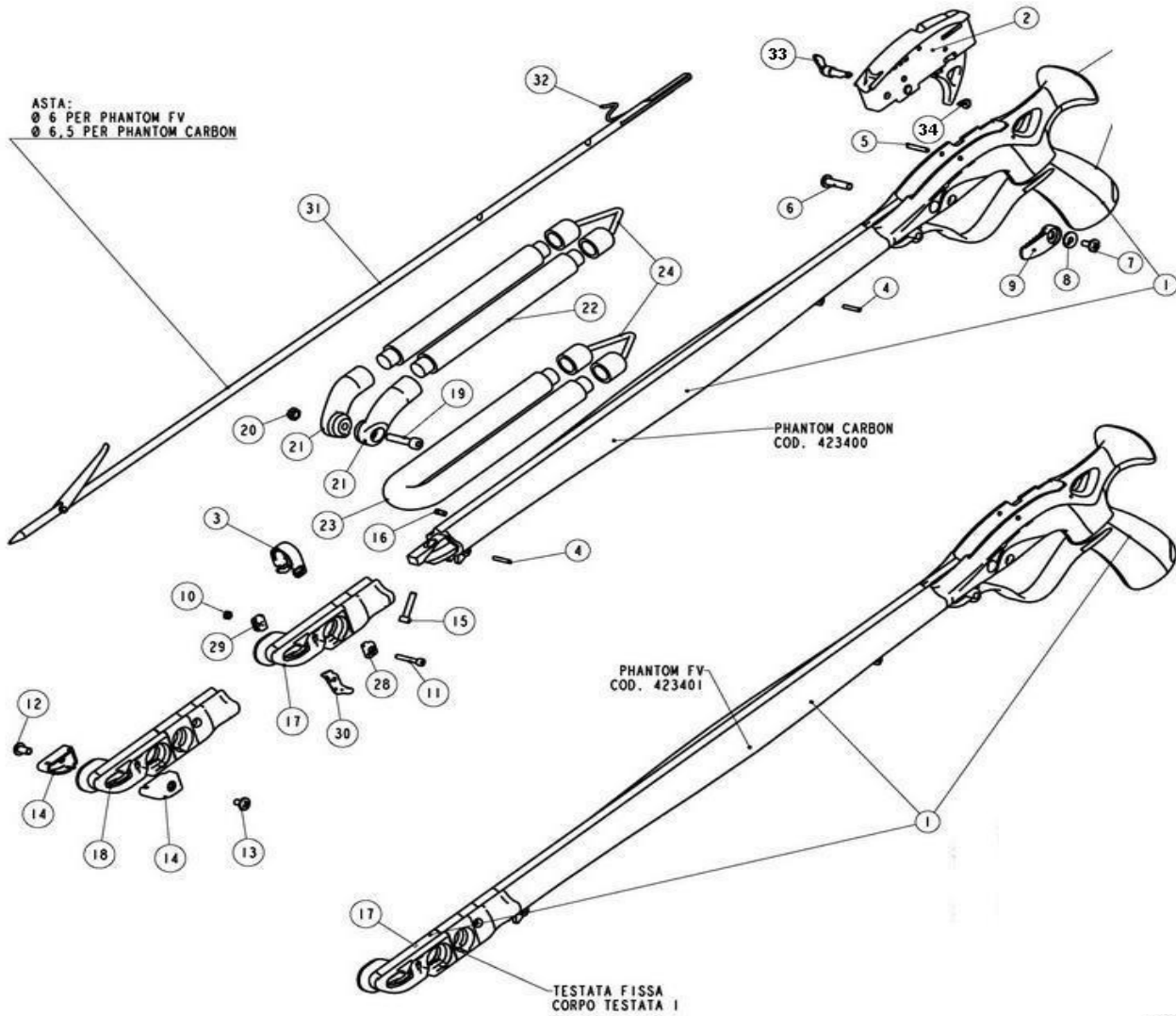
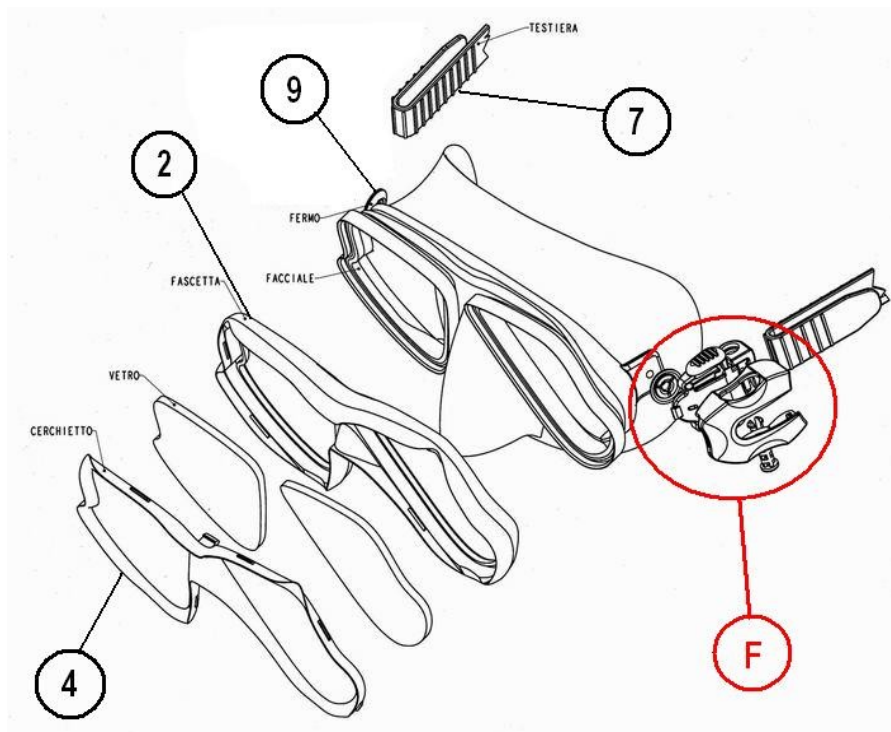


CHART NO. 506			PHANTOM SLING GUN			UPDATED : 10/01/2008		
REF	CODE	DESCRIPTION	REF	CODE	DESCRIPTION			
5	43200395	PIN TRIGGER	6+7+8+9	43200403	KIT LINE RETAINER			
15+16	43200398	SET SCREW CARBON HEAD	33+ 34	43200404	LINE RELEASE			
4	43200399	METAL PIN GUIDE LINE	3-10-11-28-29-30	43200397	KIT HEAD BRIDGE			
18	43200400	CARBON HEAD DOUBLE SLINGS	2	43200396	TRIGGER MECHANISM ASSY			
17	43200405	CARBON HEAD SLING	19+20+21	423902	DOUBLE SLINGS SUPPORT			

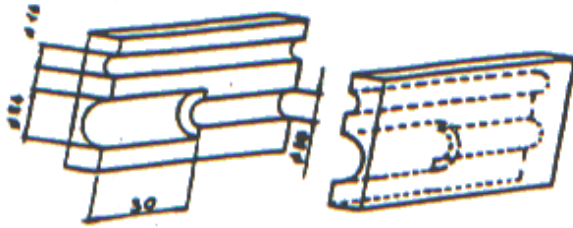
MASKS	CHART NO. 702	ESSENCE	STAR LIQUID	STAR	STAR ELITE	SAMURAI	VIZEER	TANA
	Code	421406	421400	421402	421401	421403	421404	421405
BUCKLE ASSY SAMURAI	41200204					F		
BUCKLE KIT L. SKIN BK	41200382	F	F	F	F		F	
MASK STRAP, X-SERIES BK	41200136			7	7		7	7
MASK STRAP, L. SKIN BK	41200381	7	7					
Lens rim Star Liquid BK	41200340		4	4	4			
Frame Star Liquid BK	41200377		2	2	2			
BUCKLE BLK Tana	41200393							F



# TOOL KIT for SPEARGUN

Code 413850

Head/barrel clamp jaws



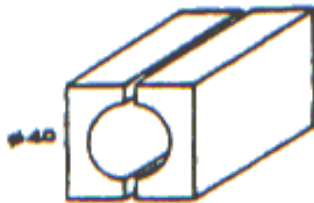
(A-1)  
Code 43106101

O Ring fitting cone  
(connecting plunger STEN - CYRANO)



(A-12)  
Code 43106112

Tank clamp jaws



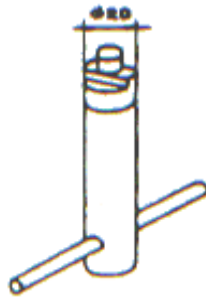
(A-3)  
Code 43106103

Connecting plunger positioning rod



(A-13)  
Code 43106113

Valve disassembling wrench



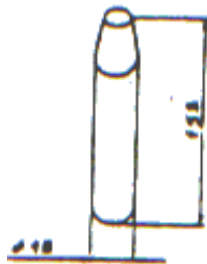
(A-4)  
Code 43106104

Piston body



(A-16)  
Code 43163608  
Code 43164209

Plastic insert tool, barrel  
CYRANO



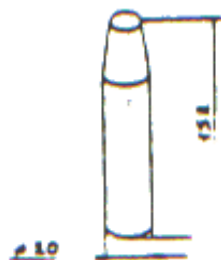
(A-7)  
Code 43106107

Handle assembling tool



(A-18)  
Code 43106118

O Ring assembling cone



(A-9)  
Code 43106109

Plunger grub screw



(A-22)  
Code 43106122

CHART NO. 642

**ACCESSORIES**

CODE	DESCRIPTION
<b>NEMO Apneist</b>	
44200603	BATTERY LOCK KIT - NEMO (5 PCS)
44200681	WRIST STRAP KIT
44200495	GASKET KIT (5 PCS)
44200494	BATTERY COVER SCREWS KIT (20 PCS)
44200496	BATTERY Nemo 2430
44200684	EXTENSION STRAP ASSY - EXCEL
44200683	WRIST STRAP SCREWS KIT
414901	PROTECTION
<b>SPEARGUNS</b>	
43163351	SHAFT TANG D. 8
43164278	SHAFT TANG D. 9
423901	AIR INJECTOR