

DRAWING NO. S 286

COMPUTER NEMO

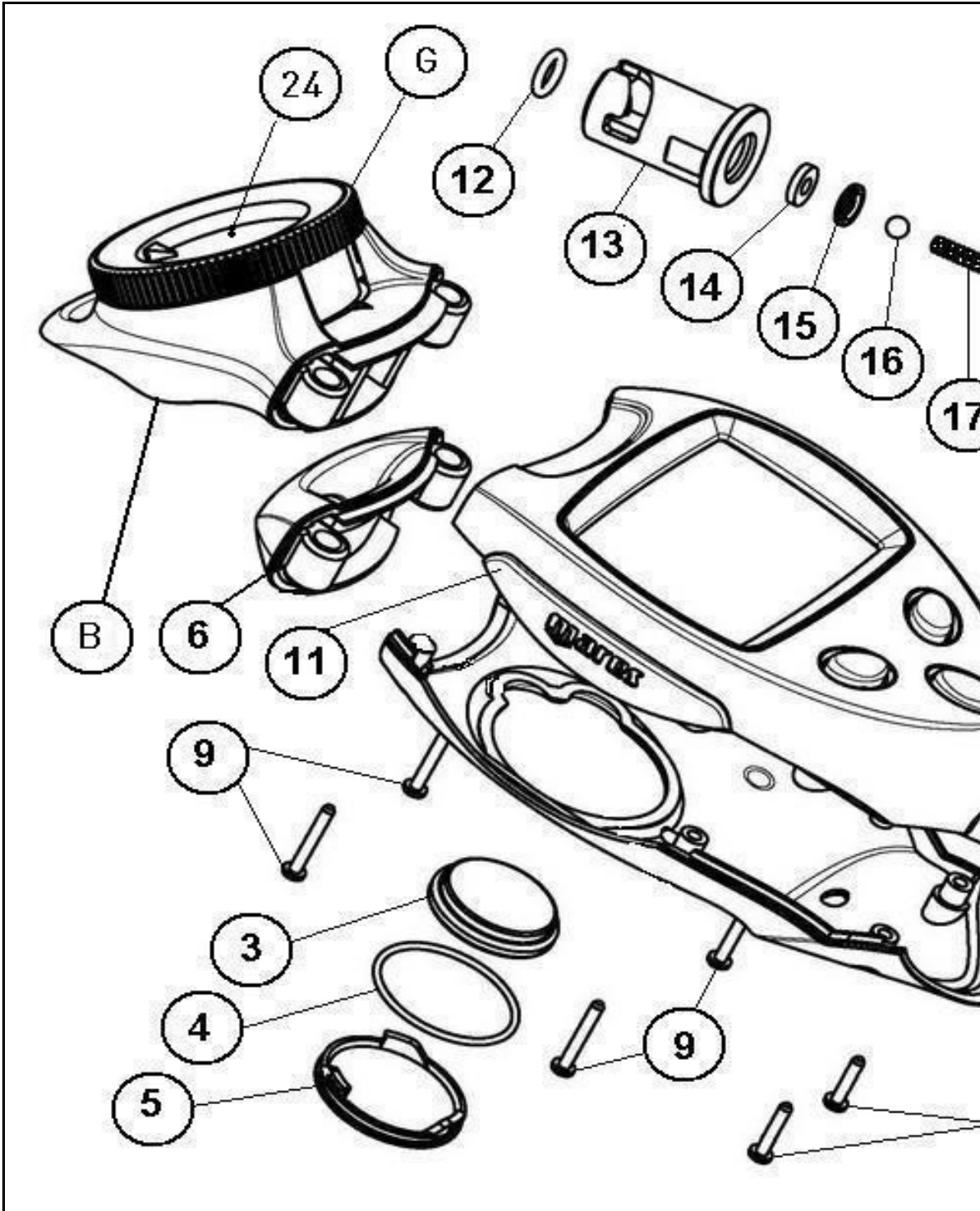
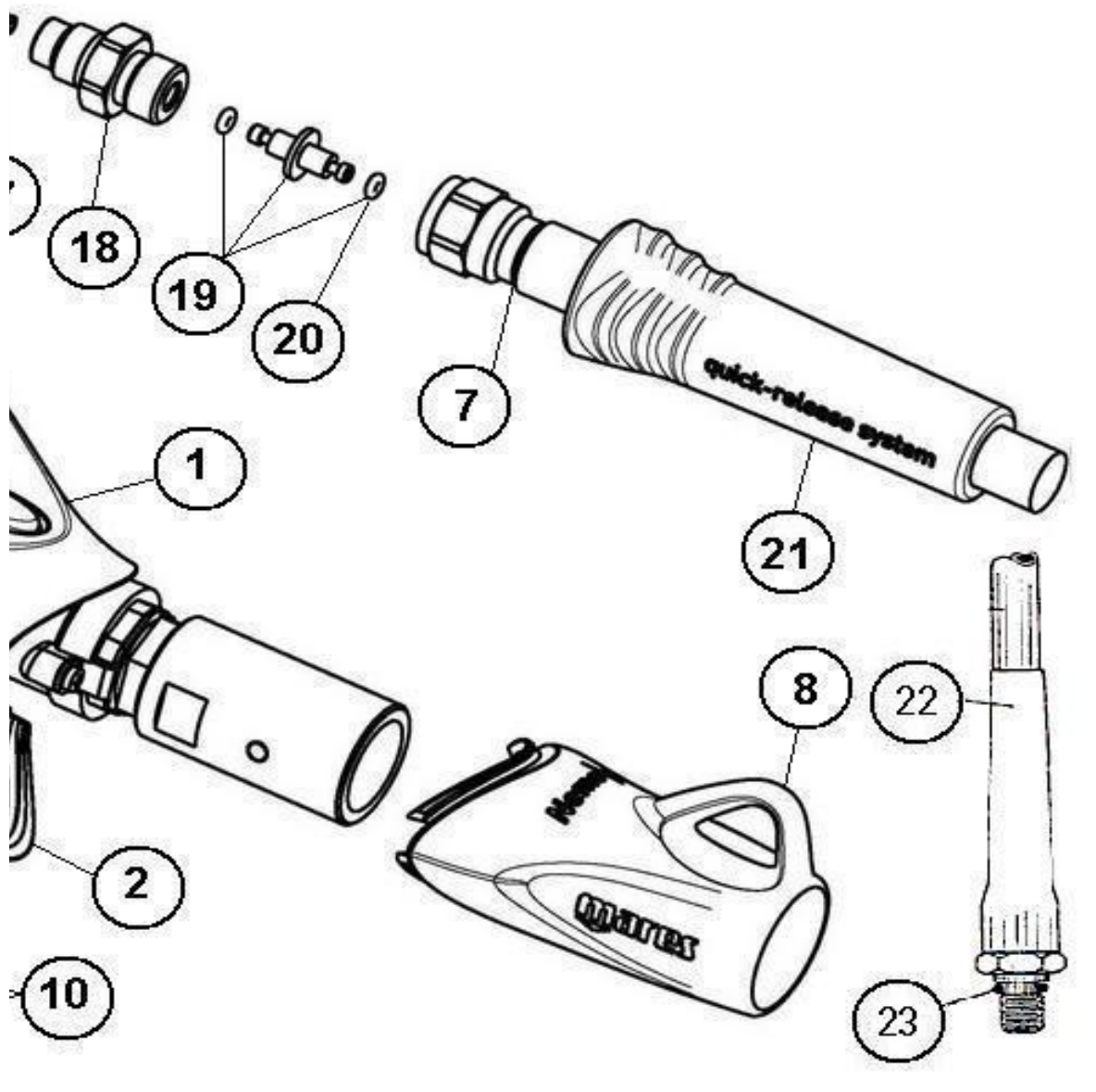


CHART NO. 610

COMPUTER NEMO

REF	CODE	DESCRIPTION
1	44200703	UPPER SHELL N.AIR
2	44200704	LOWER SHELL N.AIR
3	44200537	BATTERY CR2450
4	44200723	OR NBR 70 26,3x1,2
5	44200565	BATTERY COVER MP
6	44200707	PLASTIC UPPER TERMINAL
7	44200502	HP HOSE
8	44200705	COVER FOR QUICK CONNECTOR
9	44200169	SCREW A2 2,2x16
10	44200762	SCREW 2,2x13
11	44200706	BUMBER
12	46110205	OR 2025
13	A	QUICK CONN. MALE
14	A	METAL WASHER
15	44200409	GASKET Viton 75sh
16	A	STEEL SPHERE



REF	CODE	DESCRIPTION
17	A	SPRING
18	A	SPRING HOLDER
19	45172102	SWIVEL ASSY
20	46110410	O-ring 2-003 x swivel Viton
21	44200709	HOSE COVER
22	44200485	SOFT HOSE PROTECTOR
23	46110108	OR 108
23	46110404	OR 108 Viton 611-9754
24	44200179	COMPASS SUPREME MODULE
ASSEMBLIES		
A	44200770	QUICK CONNECTOR ASSY FEMALE (12-13-14-15-16-17-18)
---	44200771	HP HOSE W/QUICK CONNECTOR (7-12-13-14-15-16-17-18-19)
B	414422	COMPASS KIT
G	45200248	GRADUATED PLASTIC RING COMPASS