

TABLE OF CONTENTS

THIS PRICE LIST SUPERSEDES ALL PREVIOUS EDITIONS

GUNS

CYRANO.....	CHART N. 500.....	PAG.	2
STEN 2001.....	CHART N. 504.....	PAG.	4
JET.....	CHART N. 505.....	PAG.	6
INSTINCT LX/PRO/ONE/CARBON.....	CHART N. 509.....	PAG.	8
INSTINCT REEL.....	CHART N. 510.....	PAG.	10

ACCESSORIES

MASK.....	CHART N. 700	PAG.	13
-----------	--------------------	------	----

TOOL KITS

Speargun Tool Kit.....		PAG.	14
------------------------	--	------	----

SPEARGUN ACCESSORIES

PAG. 16

CYRANO SPEARGUN

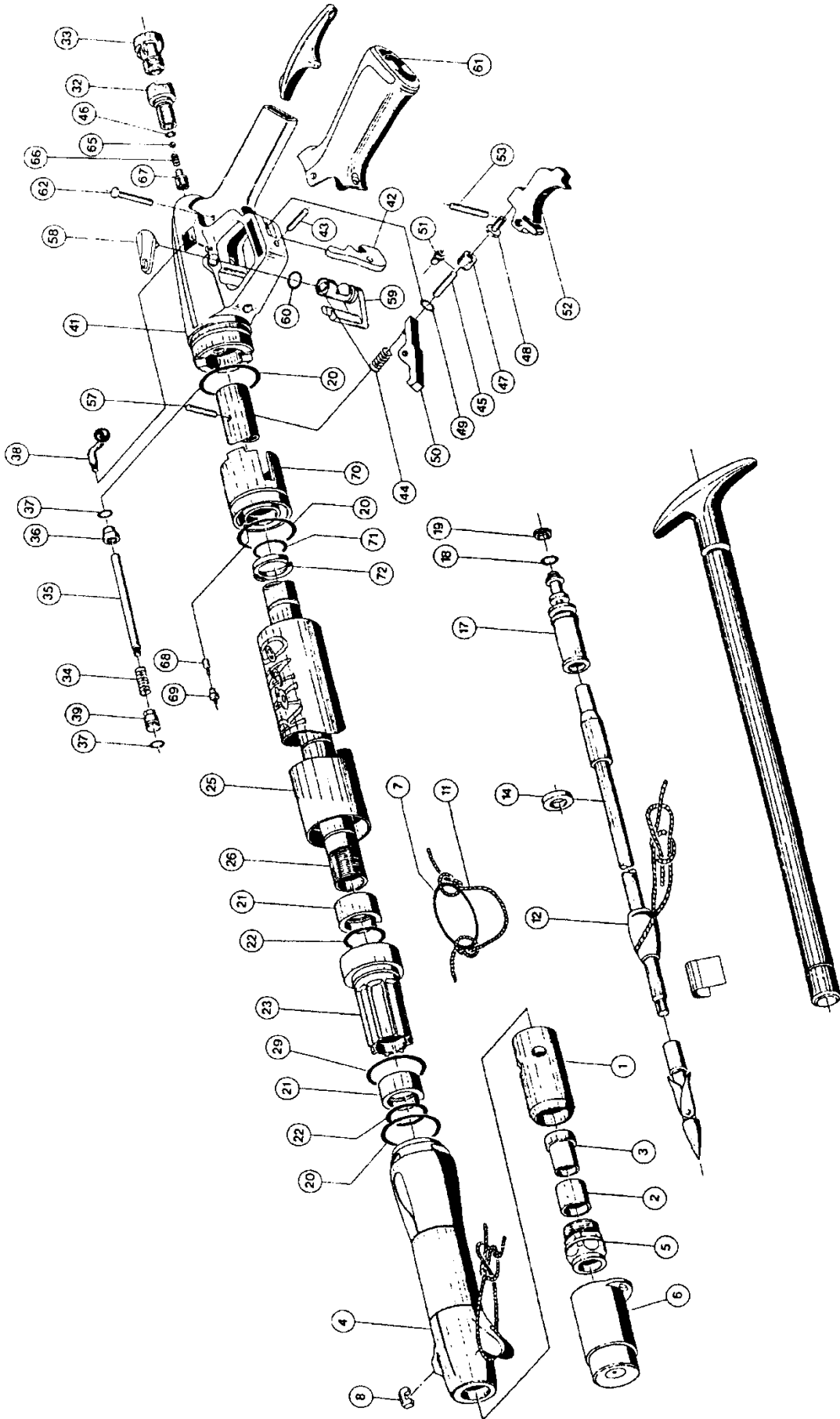


CHART No. 500	CYRANO SPEARGUN	REF. DRAWING: F 205 UPDATED: 09/01/2003
------------------	------------------------	--

REF	CODE	DESCRIPTION
1	A	
2	43163856	SHOCK ABSORBER, SPEARGUN
3	43164207	SHOCK ABSORBER INSERT
4	43164200	NOSE CONE
5	43164206	HEAD FERRULE
6	43164008	PROTECTIVE CAP HEAD
7	43163968	RUBBER O-RING
8	43164201	VIEW FINDER
11	43169821	SHOCK LINE, 3 MTS
11	43169818	SHOCK LINE, 5 MTS
12	43164004	LINE RETAINER
14	43163503	WASHER DIA 7.2, CYRANO
17	N	
18	46110107	OR 2031
19	N	
20	46110208	OR SH 75 F SPECIAL
21	43164204	BUSHING
22	46110228	OR 3062
23	43164202	NOSE CONE INSERT
25	43164225	TANK CYRANO 550
25	43164226	TANK CYRANO 700
25	43164227	TANK CYRANO 850
25	43164228	TANK CYRANO 970
25	43164229	TANK CYRANO 1100
26	43164215	BARREL CYRANO 550
26	43164216	BARREL CYRANO 700
26	43164217	BARREL CYRANO 850
26	43164218	BARREL CYRANO 970
26	43164219	BARREL CYRANO 1100
29	46110245	OR 2106
32	M	
33	43164223	CAP INLET VALVE
34	L	
35	L	
36	L	
37	46110102	O-RING 2015
38	43164234	SLIDER ASSY
39	L	
41	H	
42	43163668	LINE RELEASE, SPEARGUN
43	43163614	PIN, LINE RELEASE, SPEARGUN

REF	CODE	DESCRIPTION
44	43163313	SPRING CATCH HOOK
45	43164282	CONNECTING PLUNGER 1,5 diameter
46	46110201	OR R/1
47	43164284	HOUSING CONNECTING PLUNGER
48	E	
49	46110242	O-RING 2-003
50	43163377	CATCH HOOK, SPEARGUN
51	43164286	SPACING SLEEVE
52	E	
53	43163337	PIN 4 X 23
57	43163338	PIN 4 X 20
58	43164237	SAFETY CATCH
59	43164236	SAFETY BODY
60	46110106	OR 106
61	43164232	GUN HANDLE, SOFT, CYRANO
62	43164233	PIN HANDLE
65	M	
66	M	
67	M	
68	43163635	SEAT, ONE-WAY VALVE, SPEARGUN
69	43163636	HOUSING, ONE-WAY VALVE, SPEARGUN
70	D	
71	46110227	OR 3056
72	43164212	CLIP 16 POWER REGULATOR
		ASSEMBLIES
A	43164210	HEAD ASSEMBLY (1-2-3-5)
D	43164214	POWER REGULATOR ASSEMBLY (68-69-70)
E	43164230	TRIGGER ASSEMBLY (48-52)
H	43164287	HANDLE ASSEMBLY APNEA SYSTEM (38-41-42-43-47-49-51-58-59-60-L)
L	43163937	POWER ADJUSTMENT ROD, SPGN (34-35-36-37-39)
M	43164222	INLET VALVE ASSEMBLY, CYRANO (32-46-65-66-67)
N	43164211	PISTON ASSEMBLY (17-18-19)
***	43164290	COMPLETE SET OF O-RINGS (18-19-20-22-29-37-46-60-71)
		NOTE
		Starting from Serial No. 94336001, the Apnea System handle is assembled on the gun. Always use this Handle for repairs

STEN 2001 SPEARGUN

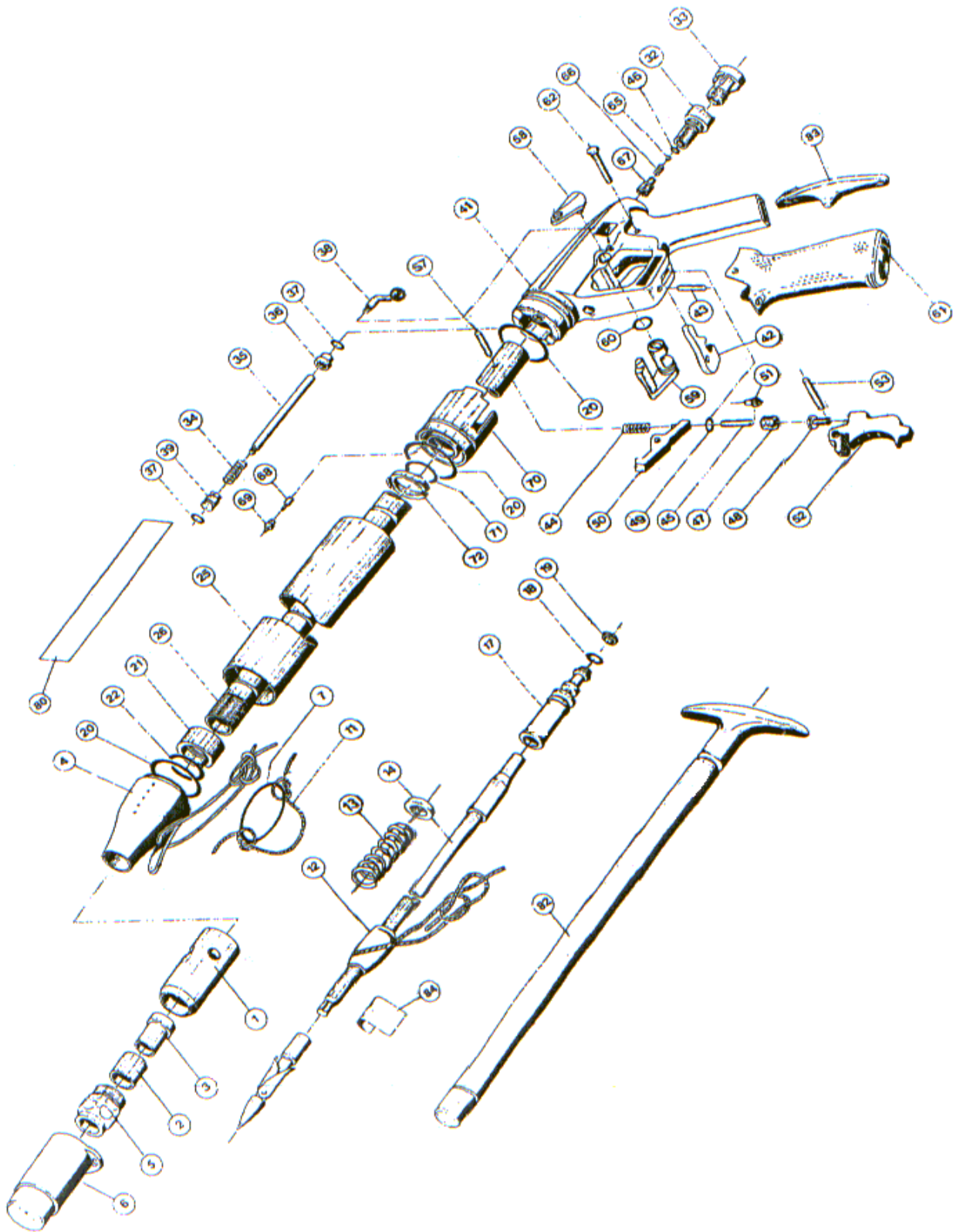


CHART No. 504	STEN 2001 SPEARGUN	REF. DRAWING: F 206 UPDATED: 15/01/2004
------------------	---------------------------	--

REF	CODE	DESCRIPTION
1	A	
2	43163856	SHOCK ABSORBER, SPEARGUN
3	43163409	SHOCK ABSORBER INSERT, SPEARGUN
4	43200093	NOSE CONE
5	43164016	HEAD FERRULE
6	43164008	PROTECTIVE CAP HEAD
7	43163968	RUBBER O-RING
11	43169821	SHOCK LINE, 3 MTS
11	43169818	SHOCK LINE, 5 MTS
12	43163355	LINE RETAINER, 8.5 MM SPEARGUN
13	43163354	SHAFT SPRING, 8.5 MM I.D.SPEARGUN
14	43163505	SHAFT WASHER, 8.2 MM D
17	N	
18	46110110	O-RING 2037
19	N	
20	46110208	OR SH 75 F SPECIAL
21	43163665	BUSHING SPEARGUN STEN LINE
22	46110206	OR 122 BIS
25	43200069	TANK STEN MINIMINI 42
25	43200070	TANK STEN MINI 58
25	43200071	TANK STEN MEDI 70
25	43200072	TANK STEN 84
25	43200073	TANK SUPER STEN 100
26	43200064	BARREL MINIMISTEN 42
26	43200057	BARREL MINISTEN 58
26	43200059	BARREL MEDISTEN 70
26	43200063	BARREL STEN 84
26	43200061	BARREL SUPER STEN 100
32	M	
33	43163563	CAP INLET VALVE WHITE
34	L	
35	L	
36	L	
37	46110102	O-RING 2015
38	43164234	SLIDER ASSY
39	L	
41	H	
41	G	
42	43163668	LINE RELEASE, SPEARGUN
43	43163614	PIN, LINE RELEASE, SPEARGUN
44	43163313	SPRING CATCH HOOK
45	43164282	CONNECTING PLUNGER 1,5 DIAMETER
46	46110201	OR R/1
47	43164284	HOUSING CONNECTING PLUNGER

REF	CODE	DESCRIPTION
48	E	
49	46110242	O-RING 2-003
50	43163377	CATCH HOOK, SPEARGUN
51	43200095	PISTON BUSHING
52	E	
53	43163337	PIN 4 X 23
57	43200098	PIN 4X23,5
58	43164237	SAFETY CATCH
59	43164236	SAFETY BODY
60	46110106	OR 106
61	43163540	HANDLE
62	43164233	PIN HANDLE
65	M	
66	M	
67	M	
68	43163635	SEAT, ONE-WAY VALVE, SPEARGUN
69	43163636	HOUSING, ONE-WAY VALVE, SPEARGUNN
70	D	
71	46110220	OR 2062
72	43163518	CIRCLIP, POWER REG., SPEARGUN
80		Label Sten minimini
80		Label Sten mini
80		Label Sten medi
80		Label Sten
80		Label Super Sten
83	43160710	SIMPLE SPEARGUN LOADER
		ASSEMBLIES
82	413806	AIR PUMP, SCREW CONNECTION
A	43200066	HEAD ASSY (1-2-3-5)
D	43163638	POWER REG.BLOCK ASSEMBLY (68-69-70)
E	43164230	TRIGGER ASSEMBLY (48-52)
G	43200097	HANDLE ASSY W/O POWER REGULATION (41-42-43-47-49-51-58-59-60)
H	43200096	HANDLE ASSY WITH POWER REGULATION (38-41-42-43-47-49-51-58-59-60-L)
L	43163937	POWER ADJUSTMENT ROD (34-35-36-37-39)
M	43163941	INLET VALVE ASSEMBLY (32-46-65-66-67)
N	43163629	PISTON ASSEMBLY (17-18-19)
P	43163683	LEG SHEATH ASSEMBLY MINIMISTEN
***	43163979	SET OF GASKETS, SPEARGUNS (18-19-20-22-37-46-49-60-71)

JET SPEARGUN

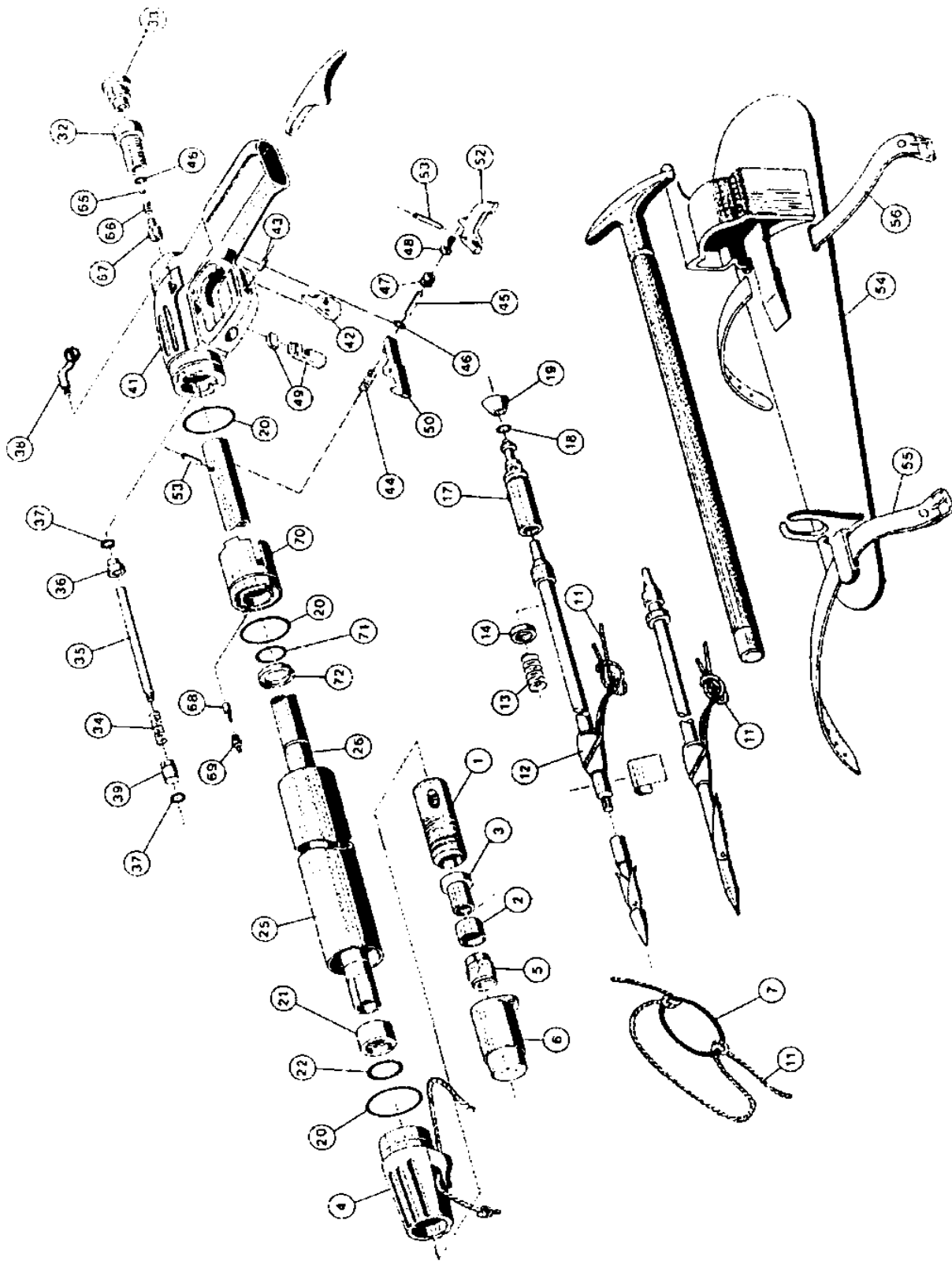


CHART No. 505	JET SPEARGUN	REF. DRAWING: F 207 UPDATED: 15/01/2004
------------------	---------------------	--

REF	CODE	DESCRIPTION
1	A	
2	43163856	SHOCK ABSORBER, SPEARGUN
3	43163409	SHOCK ABSORBER INSERT, SPEARGUN
4	43164101	NOSE CONE BLUE
5	43164102	HEAD FERRULE
6	43164138	PROTECTIVE CAP HEAD Blue
7	43163968	RUBBER O-RING
11	43169821	SHOCK LINE, 3 MTS
11	43169818	SHOCK LINE, 5 MTS
12	43163355	LINE RETAINER, 8.5 MM SPEARGUN
13	43163354	SHAFT SPRING, 8.5 MM I.D.SPEARGUN
14	43163505	SHAFT WASHER, 8.2 MM D
17	N	
18	46110110	O-RING 2037
19	N	
20	46110208	OR SH 75 F SPECIAL
21	43163665	BUSHING SPEARGUN
22	46110206	OR 122 BIS
25	43164113	TANK JET 42
25	43164114	TANK JET 58
25	43164115	TANK JET 70
26	43163362	BARREL JET 42
26	43163361	BARREL JET 58
26	43163639	BARREL JET 70
32	M	
33	43164159	CAP INLET VALVE ORANGE
34	L	
35	L	
36	L	
37	46110102	O-RING 2015
38	L	
38	L	
39	L	
41	H	
41	G	
42	43163613	LINE RELEASE BLACK
43	43163614	PIN, LINE RELEASE, SPEARGUN

REF	CODE	DESCRIPTION
44	43163313	SPRING CATCH HOOK
45	43163344	CONNECTING PLUNGER
46	46110201	OR R/1
47	43164024	HOUSING CONNECTING PLUNGER
48	E	
49	43164150	SAFETY CATCH, ORANGE
50	43163377	CATCH HOOK, SPEARGUN
52	E	
53	43163337	PIN 4 X 23
54	P	
55	P	
56	P	
65	M	
66	M	
67	M	
68	43163635	SEAT, ONE-WAY VALVE, SPEARGUN
69	43163636	HOUSING, ONE-WAY VALVE, SPEARGUN
70	D	
71	46110220	OR 2062
72	43163518	CIRCLIP, POWER REGULATOR
		ASSEMBLIES
A	43164103	HEAD ASSEMBLY BLUE (1-2-3-5)
D	43163638	POWER REGULATOR ASSEMBLY (68-69-70)
E	43163612	TRIGGER ASSEMBLY (48-52)
G	43164153	HANDLE ASSEMBLY W/O POWER ADJUSTMENT BL. (41-42-43-46-47-49)
H	43164155	HANDLE ASSY.W/POWER ADJUST STEN BLUE (L- 38-41-42-43-46-47-49)
L	43163937	POWER ADJUSTMENT ROD, SPGN (34-35-36-37-39)
M	43163941	INLET VALVE ASSEMBLY (32-46-65-66-67)
N	43163629	PISTON ASSEMBLY (17-18-19)
P	43163683	LEG SHEATH ASSEMBLY JET 42
***	43163979	COMPLETE SET OF O-RINGS (18-19-20-22-37-46-71)

DRAWING
No. F259

INSTINCT SLING GUN

UPDATED: 26/11/2004

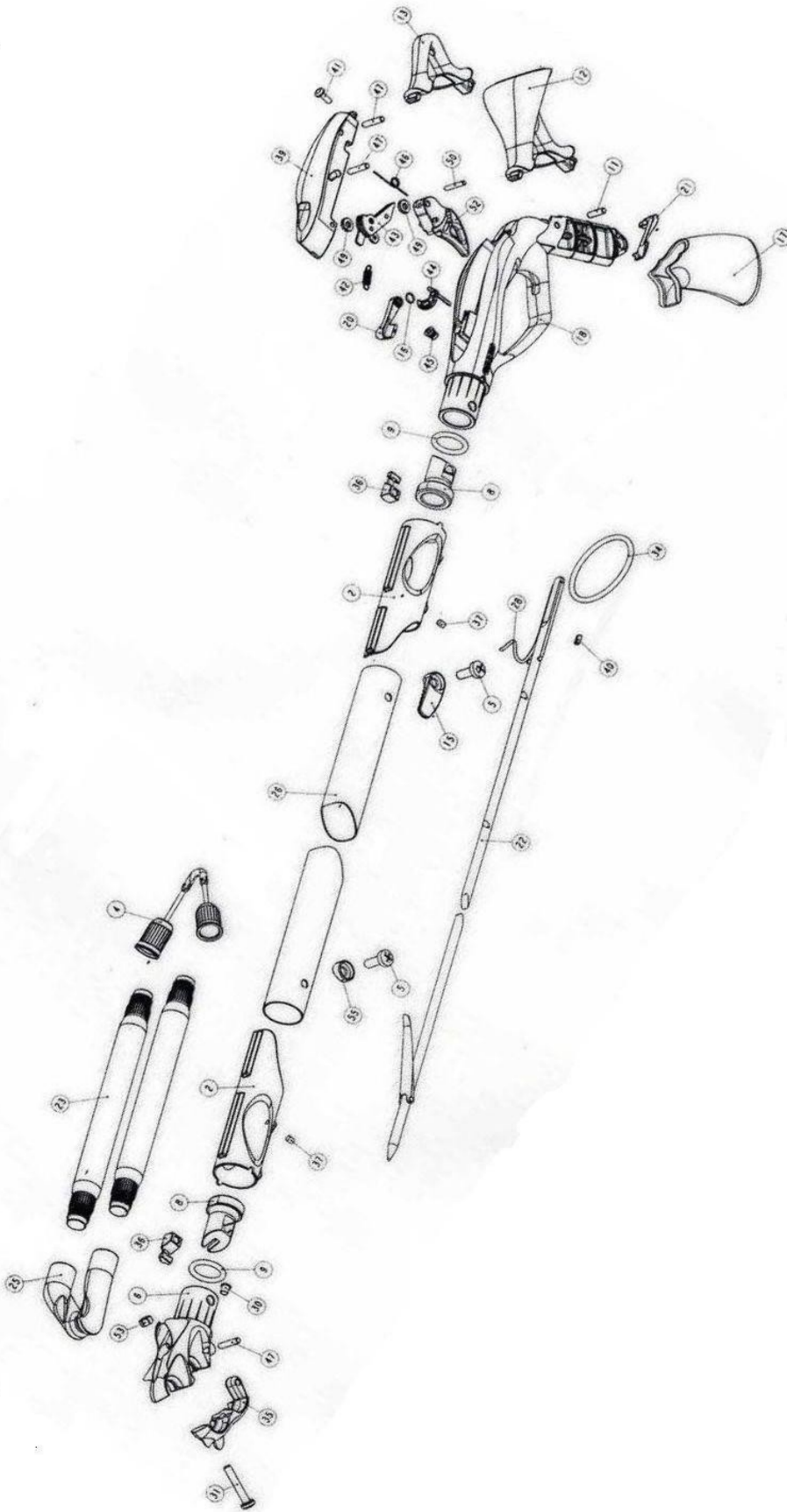


CHART
N.o 509

**INSTINCT SLING GUN
CARBON-LX-PRO-ONE**

REF. DRAWING : F 259

UPDATED : 10/01/2005

REF	CODE	DESCRIPTION	REF	CODE	DESCRIPTION
2	43200180	SHAFT GUIDE	37	43200181	DOWEL
4	43165503	NOSECONE (one)			
4	43165505	ARTICULATED NOSE CONE	39	X X X	
5	43200171	SCREW	40	43165034	LINE RETAINER
6	43200220	HEAD UPPER PART	41	45111001	SCREW 9 X 13
8	43200194	O-RING SEAT	42	X X X	
9	43200169	OR 4075	43		
11	43200223	PIN D4 L24 LNG	44	43200192	LINE RELEASE
12	43200188	LOADING SUPPORT	45	47158713	INSERT M4
13	43200187	REAR SUPPORT (one)	46	X X X	
15	43200179	LINE RETAINER	47	X X X	
16	43200170	OR 6 X 1	49	X X X	
17	43200186	HANDLE COVER	50	X X X	
18	43200184	HANDLE	52	X X X	
20	43200189	SAFETY RIGHT	53	43200177	NUT INOX M5
21	43200190	SAFETY LEFT	55	43200178	WASHER
22	X X X				
23	X X X				
25	43200222	RING NUT SLING			ASSEMBLIES
26	X X X		A	43200253	HANDLE ASSY
28	X X X				(C-8-9-11-12-13-17-18-20-21-36-41-44-45)
30	43200183	GUIDE LINE	B	43200254	HEAD ASSY
31	43200173	SCREW 5 X 30			(6-8-9-25-30-31-35-36-47-53)
34	43163968	RUBBER RING	C	43200252	TRIGGER MECHANISM ASSY
35	43200221	HEAD LOWER PART			(39-42-43-46-47-49-50-52)
36	43200195	CONICAL INSERT			

DRAWING
N.o F 260

INSTINCT REEL

UPDATED: 26/11/2004

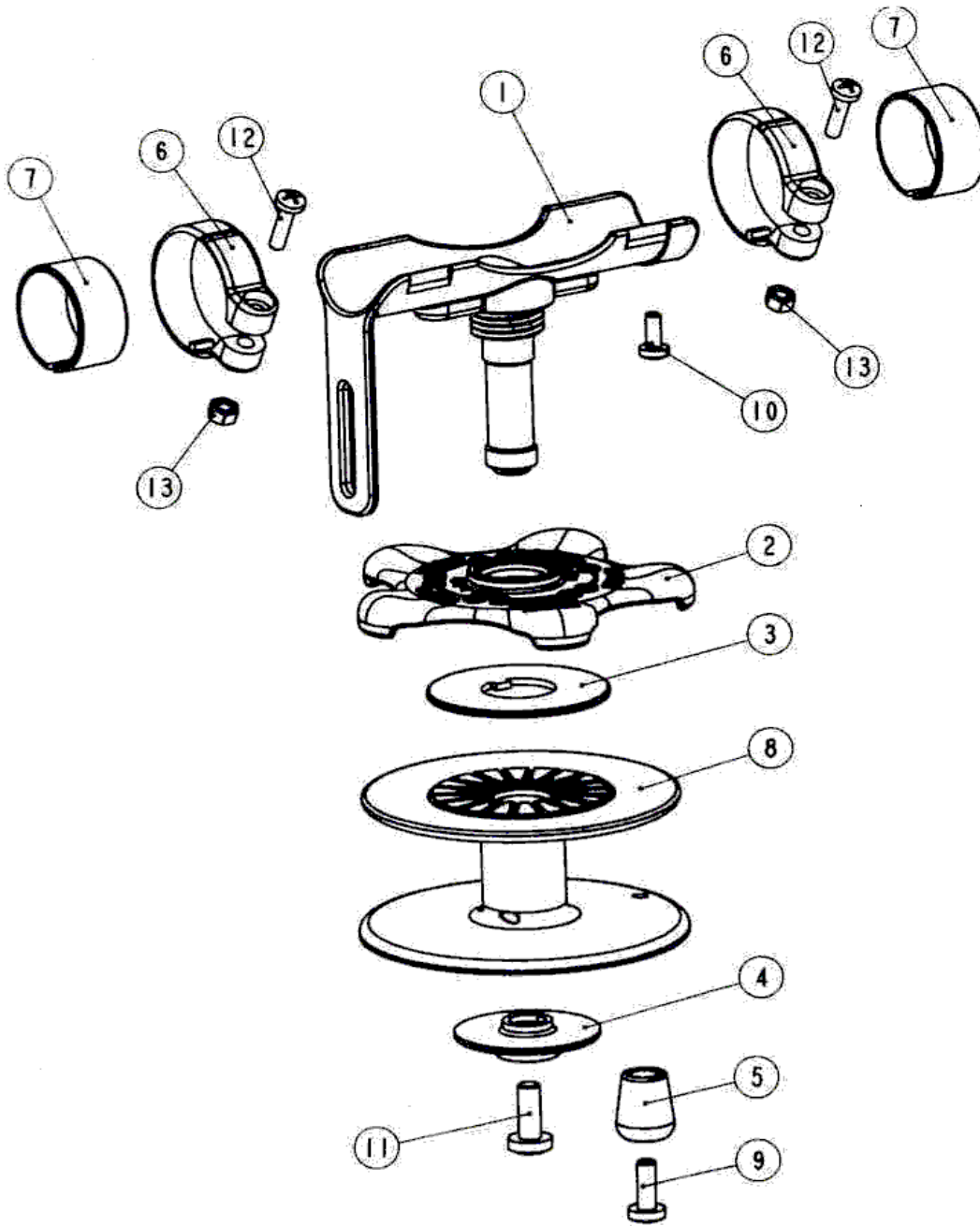


CHART N.o 510	INSTINCT REEL	REF. DRAWING: F 260 UPDATED: 10/01/2005
--------------------------------	----------------------	--

REF	CODE	DESCRIPTION	REF	CODE	DESCRIPTION
1	43200196	BRACKET	8	43200203	REEL
2	43200197	FRICTION CLUTCH	9	43200174	SCREW INOX 5X14
3	43200198	CLUTCH WASHER	10	43200175	SCREW INOX 4X10
4	43200199	STOP WASHER	11	43200172	SCREW INOX 6X16
5	43200200	KNOB	12	43200176	SCREW INOX 4X16
6	43200201	CLAMP RING	13	43165481	NUT INOX M4
7	43200202	SPACER RING			

--

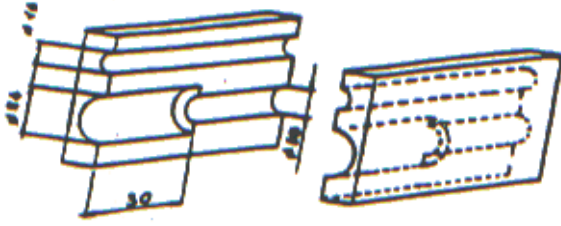
CHART No. 700	MASKS	UPDATED : 10/01/2005
----------------------	--------------	-----------------------------

		COMFORT	SAMURAI ELITE	SAMURAI	STAR	STAR ELITE
	Codice	421011	421000	421003	421009	421000
Buckle kit, Target	41200204		X	X		
Mask strap, silicone black	41200136	X			X	X

TOOL KIT for SPEARGUN

Code 413850

Head/barrel clamp jaws



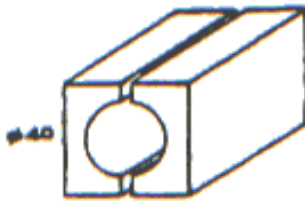
(A-1)
Code 43106101

O Ring fitting cone
(connecting plunger STEN - CYRANO)



(A-12)
Code 43106112

Tank clamp jaws



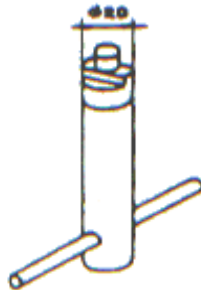
(A-3)
Code 43106103

Connecting plunger positioning rod



(A-13)
Code 43106113

Valve disassembling wrench



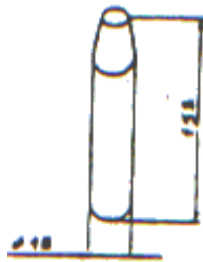
(A-4)
Code 43106104

Piston body



(A-16)
Code 43163608
Code 43164209

Plastic insert tool, barrel
CYRANO



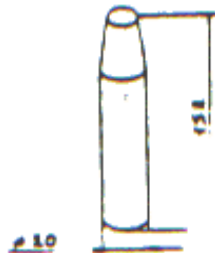
(A-7)
Code 43106107

Handle assembling tool



(A-18)
Code 43106118

O Ring assembling cone



(A-9)
Code 43106109

Plunger grub screw



(A-22)
Code 43106122

43163351
43164278

SPEARGUNS
SHAFT TANG, 9 MM D., SPEARGUN
SHAFT TANG D. 7 STAINLESS STEEL